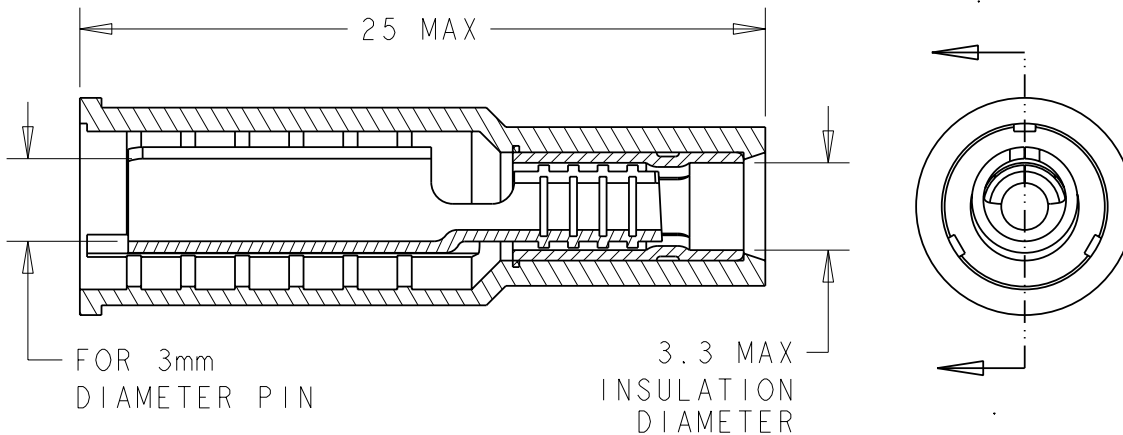


LOC	DIST	REVISIONS					
		P	LTR	DESCRIPTION	DATE	DWN	APVD
-	-		A	AJOUTE 141456-2	11/1/84	GR	GR
			B	REDRAWN IN CAD	19/10/07	NH	GR

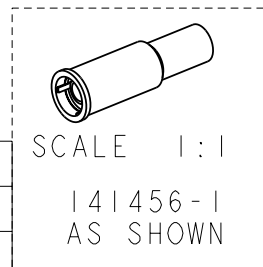


SECTION A - A

RELEASED FOR PUBLICATION

BY TYCO ELECTRONICS CORPORATION. ALL RIGHTS RESERVED.

COPYRIGHT



OBSOLETE	141456-2	BLACK
	141456-1	RED
	TE PN	COLOUR

DIMENSIONS: mm	DWN NIRANJAN HEGDE 19OCT2007	MATERIAL	FINISH	
	CHK SHIVAPRAKASH K R 19OCT2007	Tyco Electronics Tyco Electronics France, SAS 95300 Pontoise, France		
TOLERANCES UNLESS OTHERWISE SPECIFIED:	APVD ROBERT GERARD 19OCT2007	NAME DOUILLE ISOLEE POUR BROCHE DE 3 mm		
	PRODUCT SPEC	SIZE	CAGE CODE	DRAWING NO
0 PLC ± -	APPLICATION SPEC	A 4	-	© = 141456
1 PLC ± -		RESTRICTED TO		
2 PLC ± -	WEIGHT	SCALE 4:1		SHEET 1 OF 1
3 PLC ± -		REV B		
4 PLC ± -		CUSTOMER DRAWING		
ANGLES ± -				