

Dual wide band operational amplifier with high output current

Features

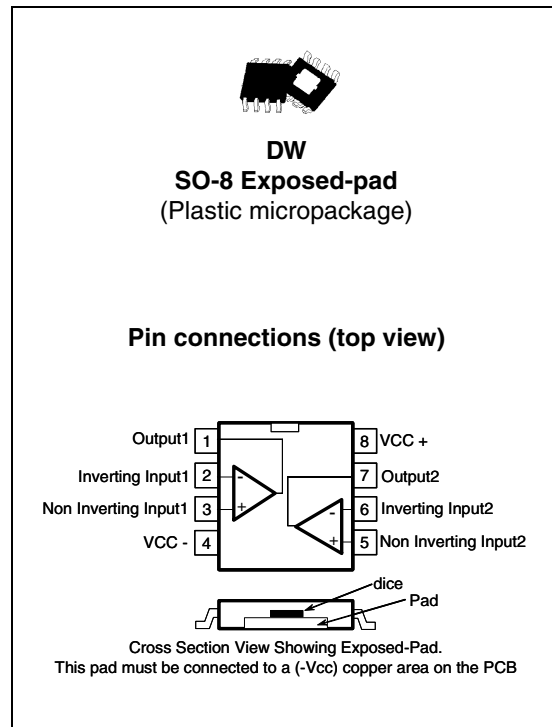
- Low noise: 2.5 nV/ $\sqrt{\text{Hz}}$
- High output current: 420 mA
- Very low harmonic and intermodulation distortion
- High slew rate: 420 V/ μs
- -3dB bandwidth: 40 MHz @ gain = 12 dB on 25 Ω single-ended load
- 20.7 Vp-p differential output swing on 50 Ω load, 12 V power supply
- Current feedback structure
- 5 V to 12 V power supply
- Specified for 20 Ω and 50 Ω differential load

Applications

- Line driver for xDSL
- Multiple video line driver

Description

The TS616 is a dual operational amplifier featuring a high output current of 410 mA. This driver can be configured differentially for driving signals in telecommunication systems using multiple carriers. The TS616 is ideally suited for xDSL (high speed asymmetrical digital subscriber line) applications. This circuit is capable of driving a 10 Ω or 25 Ω load on a range of power supplies: ± 2.5 V, 5 V, ± 6 V or +12 V. The TS616 is capable of reaching a -3 dB bandwidth of 40 MHz on 25 Ω load with a 12 dB gain. This device is designed for high slew rates and demonstrates low harmonic distortion and intermodulation.



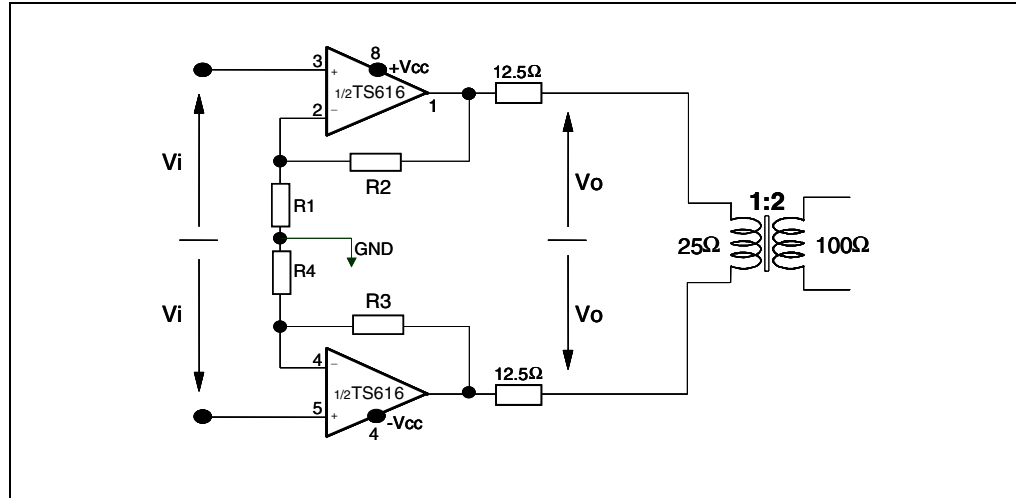
Contents

1	Typical application	3
2	Absolute maximum ratings and operating conditions	4
3	Electrical characteristics	5
4	Safe operating area	16
5	Intermodulation distortion product	17
6	Printed circuit board layout considerations	20
	6.1 Thermal information	20
7	Noise measurements	23
	7.1 Measurement of eN	24
	7.2 Measurement of iNn	25
	7.3 Measurement of iNp	25
8	Power supply bypassing	26
	8.1 Single power supply	26
	8.2 Channel separation and crosstalk	27
9	Choosing the feedback circuit	28
	9.1 The bias of an inverting amplifier	29
	9.2 Active filtering	29
10	Increasing the line level using active impedance matching	31
11	Package information	34
12	Ordering information	36
13	Revision history	36

1 Typical application

Figure 1 shows a schematic of a typical xDSL application using the TS616.

Figure 1. Differential line driver for xDSL applications



2 Absolute maximum ratings and operating conditions

Table 1. Absolute maximum ratings

Symbol	Parameter	Value	Unit
V_{CC}	Supply voltage ⁽¹⁾	± 7	V
V_{id}	Differential input voltage ⁽²⁾	± 2	V
V_{in}	Input voltage range ⁽³⁾	± 6	V
T_{oper}	Operating free air temperature range	-40 to + 85	°C
T_{std}	Storage temperature	-65 to +150	°C
T_j	Maximum junction temperature	150	°C
R_{thjc}	Thermal resistance junction to case	16	°C/W
R_{thja}	Thermal resistance junction to ambient area	60	°C/W
P_{max}	Maximum power dissipation (at $T_{amb} = 25^\circ\text{C}$) for $T_j = 150^\circ\text{C}$	2	W
ESD only pins 1, 4, 7, 8	HBM: human body model ⁽⁴⁾	1.5	kV
	MM: machine model ⁽⁵⁾	2	kV
	CDM: charged device model ⁽⁶⁾	200	V
ESD only pins 2, 3, 5, 6	HBM: human body model ⁽⁴⁾	1.5	kV
	MM: machine model ⁽⁵⁾	2	kV
	CDM: charged device model ⁽⁶⁾	100	V
	Output short circuit	(7)	

1. All voltage values, except differential voltage are with respect to network terminal.
2. Differential voltages are non-inverting input terminal with respect to the inverting input terminal.
3. The magnitude of input and output voltage must never exceed $V_{CC} + 0.3\text{ V}$.
4. Human body model: a 100 pF capacitor is charged to the specified voltage, then discharged through a 1.5 k Ω resistor between two pins of the device. This is done for all couples of connected pin combinations while the other pins are floating.
5. Machine model: a 200 pF capacitor is charged to the specified voltage, then discharged directly between two pins of the device with no external series resistor (internal resistor < 5 Ω). This is done for all couples of connected pin combinations while the other pins are floating.
6. Charged device model: all pins and the package are charged together to the specified voltage and then discharged directly to the ground through only one pin. This is done for all pins.
7. An output current limitation protects the circuit from transient currents. Short-circuits can cause excessive heating. Destructive dissipation can result from short-circuits on amplifiers.

Table 2. Operating conditions

Symbol	Parameter	Value	Unit
V_{CC}	Power supply voltage	± 2.5 to ± 6	V
V_{icm}	Common mode input voltage	$-V_{CC} + 1.5\text{ V}$ to $+V_{CC} - 1.5\text{ V}$	V

3 Electrical characteristics

Table 3. $V_{CC} = \pm 6\text{ V}$, $R_{fb} = 910\ \Omega$, $T_{amb} = 25^\circ\text{ C}$ (unless otherwise specified)

Symbol	Parameter	Test conditions	Min.	Typ.	Max.	Unit
DC performance						
V_{io}	Input offset voltage	T_{amb}		1	3.5	mV
		$T_{min} < T_{amb} < T_{max}$		1.6		
ΔV_{io}	Differential input offset voltage	$T_{amb} = 25^\circ\text{C}$			2.5	mV
I_{ib+}	Positive input bias current	T_{amb}		5	30	μA
		$T_{min} < T_{amb} < T_{max}$		7.2		
I_{ib-}	Negative input bias current	T_{amb}		3	15	μA
		$T_{min} < T_{amb} < T_{max}$		3.1		
Z_{IN+}	Input(+) impedance			82		k Ω
Z_{IN-}	Input(-) impedance			54		Ω
C_{IN+}	Input(+) capacitance			1		pF
CMR	Common mode rejection ratio $20 \log (\Delta V_{ic} / \Delta V_{io})$	$\Delta V_{ic} = \pm 4.5\text{V}$	58	64		dB
		$T_{min} < T_{amb} < T_{max}$		62		
SVR	Supply voltage rejection ratio $20 \log (\Delta V_{CC} / \Delta V_{io})$	$\Delta V_{CC} = \pm 2.5\text{V to } \pm 6\text{V}$	72	81		dB
		$T_{min} < T_{amb} < T_{max}$		80		
I_{CC}	Total supply current per operator	No load		13.5	17	mA
Dynamic performance and output characteristics						
R_{OL}	Open loop transimpedance	$V_{out} = 7\text{Vp-p}$, $R_L = 25\Omega$	5	13.5		M Ω
		$T_{min} < T_{amb} < T_{max}$		5.7		
BW	-3dB bandwidth	Small signal $V_{out} < 20\text{mVp}$ $A_V = 12\text{dB}$, $R_L = 25\Omega$	25	40		MHz
	Full power bandwidth	Large signal $V_{out} = 3\text{Vp}$ $A_V = 12\text{dB}$, $R_L = 25\Omega$		26		
	Gain flatness @ 0.1dB	Small signal $T_{amb} < 20\text{mVp}$ $A_V = 12\text{dB}$, $R_L = 25\Omega$		7		
T_r	Rise time	$V_{out} = 6\text{Vp-p}$, $A_V = 12\text{dB}$, $R_L = 25\Omega$		10.6		ns
T_f	Fall time	$V_{out} = 6\text{Vp-p}$, $A_V = 12\text{dB}$, $R_L = 25\Omega$		12.2		ns
T_s	Settling time	$V_{out} = 6\text{Vp-p}$, $A_V = 12\text{dB}$, $R_L = 25\Omega$		50		ns
SR	Slew rate	$V_{out} = 6\text{Vp-p}$, $A_V = 12\text{dB}$, $R_L = 25\Omega$	330	420		V/ μs
V_{OH}	High level output voltage	$R_L = 25\Omega$ connected to GND	4.8	5.05		V
V_{OL}	Low level output voltage	$R_L = 25\Omega$ Connected to GND		-5.3	-5.1	V

Table 3. $V_{CC} = \pm 6\text{ V}$, $R_{fb} = 910\ \Omega$, $T_{amb} = 25^\circ\text{ C}$ (unless otherwise specified) (continued)

Symbol	Parameter	Test conditions	Min.	Typ.	Max.	Unit
I_{out}	Output sink current	$V_{out} = -4V_p$	-320	-490		mA
		$T_{min} < T_{amb} < T_{max}$		-395		
	Output source current	$V_{out} = +4V_p$	330	420		
		$T_{min} < T_{amb} < T_{max}$		370		
Noise and distortion						
eN	Equivalent input noise voltage	F = 100kHz		2.5		nV/ $\sqrt{\text{Hz}}$
iNp	Equivalent input noise current (+)	F = 100kHz		15		pA/ $\sqrt{\text{Hz}}$
iNn	Equivalent input noise current (-)	F = 100kHz		21		pA/ $\sqrt{\text{Hz}}$
HD2	2nd harmonic distortion (differential configuration)	$V_{out} = 14V_{p-p}$, $A_V = 12\text{dB}$ F = 110kHz, $R_L = 50\ \Omega$ diff.		-87		dBc
HD3	3rd harmonic distortion (differential configuration)	$V_{out} = 14V_{p-p}$, $A_V = 12\text{dB}$ F = 110kHz, $R_L = 50\ \Omega$ diff.		-83		dBc
IM2	2nd order intermodulation product (differential configuration)	F1 = 100kHz, F2 = 110kHz $V_{out} = 16V_{p-p}$, $A_V = 12\text{dB}$ $R_L = 50\ \Omega$ diff.		-76		dBc
		F1 = 370kHz, F2 = 400kHz $V_{out} = 16V_{p-p}$, $A_V = 12\text{dB}$ $R_L = 50\ \Omega$ diff.		-75		
IM3	3rd order intermodulation product (differential configuration)	F1 = 100kHz, F2 = 110kHz $V_{out} = 16V_{p-p}$, $A_V = 12\text{dB}$ $R_L = 50\ \Omega$ diff.		-88		dBc
		F1 = 370kHz, F2 = 400kHz $V_{out} = 16V_{p-p}$, $A_V = 12\text{ dB}$ $R_L = 50\ \Omega$ diff.		-87		

Table 4. $V_{CC} = \pm 2.5\text{ V}$, $R_{fb} = 910\ \Omega$, $T_{amb} = 25^\circ\text{C}$ (unless otherwise specified)

Symbol	Parameter	Test conditions	Min.	Typ.	Max.	Unit
DC performance						
V_{io}	Input offset voltage	T_{amb}		0.2	2.5	mV
		$T_{min} < T_{amb} < T_{max}$		1		
ΔV_{io}	Differential input offset voltage	$T_{amb} = 25^\circ\text{C}$			2.5	mV
I_{ib+}	Positive input bias current	T_{amb}		4	30	μA
		$T_{min} < T_{amb} < T_{max}$		7		
I_{ib-}	Negative input bias current	T_{amb}		1.1	11	μA
		$T_{min} < T_{amb} < T_{max}$		1.2		
Z_{IN+}	Input(+) impedance			71		k Ω
Z_{IN-}	Input(-) impedance			62		Ω
C_{IN+}	Input(+) capacitance			1.5		pF
CMR	Common mode rejection ratio $20 \log (\Delta V_{ic}/\Delta V_{io})$	$\Delta V_{ic} = \pm 1\text{V}$	55	61		dB
		$T_{min} < T_{amb} < T_{max}$		60		
SVR	Supply voltage rejection ratio $20 \log (\Delta V_{cc}/\Delta V_{io})$	$\Delta V_{CC} = \pm 2\text{V to } \pm 2.5\text{V}$	63	79		dB
		$T_{min} < T_{amb} < T_{max}$		78		
I_{CC}	Total supply current per operator	No load		11.5	15	mA
Dynamic performance and output characteristics						
R_{OL}	Open loop transimpedance	$V_{out} = 2V_{p-p}$, $R_L = 10\Omega$	2	4.2		M Ω
		$T_{min} < T_{amb} < T_{max}$		1.5		
BW	-3dB bandwidth	Small signal $V_{out} < 20\text{mVp}$ $A_V = 12\text{dB}$, $R_L = 10\Omega$	20	28		MHz
	Full power bandwidth	Large signal $V_{out} = 1.4V_p$, $A_V = 12\text{dB}$, $R_L = 10\Omega$		20		
	Gain flatness @ 0.1dB	Small signal $V_{out} < 20\text{mVp}$ $A_V = 12\text{dB}$, $R_L = 10\Omega$		5.7		
T_r	Rise time	$V_{out} = 2.8V_{p-p}$, $A_V = 12\text{dB}$, $R_L = 10\Omega$		11		ns
T_f	Fall time	$V_{out} = 2.8V_{p-p}$, $A_V = 12\text{dB}$, $R_L = 10\Omega$		11.5		ns
T_s	Settling time	$V_{out} = 2.2V_{p-p}$, $A_V = 12\text{dB}$, $R_L = 10\Omega$		39		ns
SR	Slew rate	$V_{out} = 2.2V_{p-p}$, $A_V = 12\text{dB}$, $R_L = 10\Omega$	100	130		V/ μs
V_{OH}	High level output voltage	$R_L = 10\Omega$ connected to GND	1.5	1.7		V
V_{OL}	Low level output voltage	$R_L = 10\Omega$ connected to GND		-1.9	-1.7	V
I_{out}	Output sink current	$V_{out} = -1.25V_p$	-300	-400		mA
		$T_{min} < T_{amb} < T_{max}$		-360		
	Output source current	$V_{out} = +1.25V_p$	200	270		
		$T_{min} < T_{amb} < T_{max}$		240		

Table 4. $V_{CC} = \pm 2.5\text{ V}$, $R_{fb} = 910\ \Omega$, $T_{amb} = 25^\circ\text{ C}$ (unless otherwise specified) (continued)

Symbol	Parameter	Test conditions	Min.	Typ.	Max.	Unit
Noise and distortion						
eN	Equivalent input noise voltage	F = 100kHz		2.5		nV/ $\sqrt{\text{Hz}}$
iNp	Equivalent input noise current (+)	F = 100kHz		15		pA/ $\sqrt{\text{Hz}}$
iNn	Equivalent input noise current (-)	F = 100kHz		21		pA/ $\sqrt{\text{Hz}}$
HD2	2nd harmonic distortion (differential configuration)	$V_{out} = 6V_{p-p}$, $A_V = 12\text{ dB}$ F = 110kHz, $R_L = 20\ \Omega$ diff.		-97		dBc
HD3	3rd harmonic distortion (differential configuration)	$V_{out} = 6V_{p-p}$, $A_V = 12\text{ dB}$ F = 110 kHz, $R_L = 20\ \Omega$ diff.		-98		dBc
IM2	2nd order intermodulation product (differential configuration)	F1 = 100 kHz, F2 = 110 kHz $V_{out} = 6 V_{p-p}$, $A_V = 12\text{ dB}$ $R_L = 20\ \Omega$ diff.		-86		dBc
		F1 = 370kHz, F2 = 400kHz $V_{out} = 6V_{p-p}$, $A_V = 12\text{ dB}$ $R_L = 20\ \Omega$ diff.		-88		
IM3	3rd order intermodulation product (differential configuration)	F1 = 100kHz, F2 = 110kHz $V_{out} = 6V_{p-p}$, $A_V = 12\text{ dB}$ $R_L = 20\ \Omega$ diff.		-90		dBc
		F1 = 370kHz, F2 = 400kHz $V_{out} = 6V_{p-p}$, $A_V = 12\text{ dB}$ $R_L = 20\ \Omega$ diff.		-85		

Figure 2. Load configuration

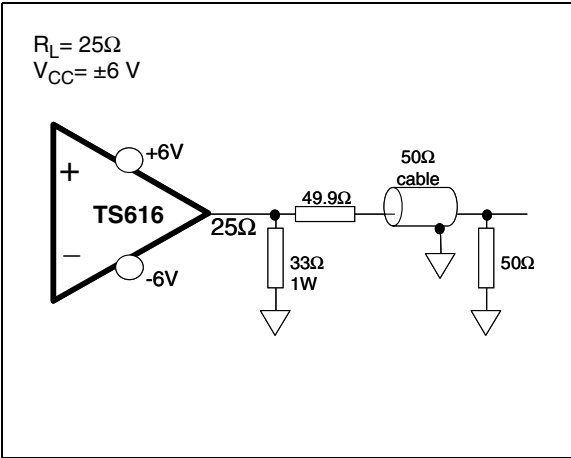


Figure 3. Load configuration

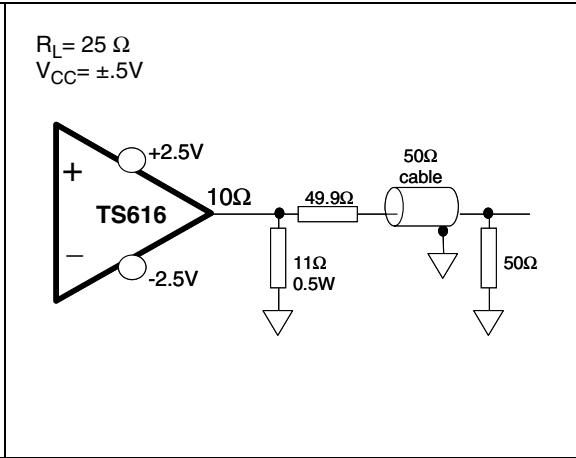


Figure 4. Closed loop gain vs. frequency

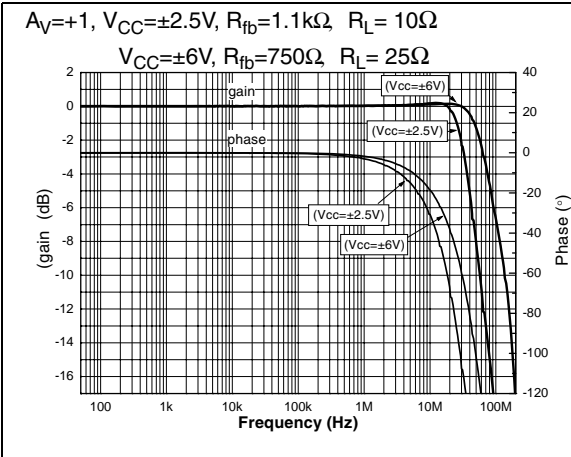


Figure 5. Closed loop gain vs. frequency

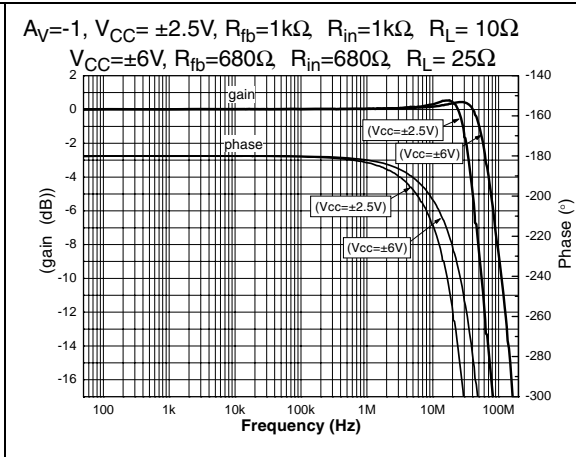


Figure 6. Closed loop gain vs. frequency

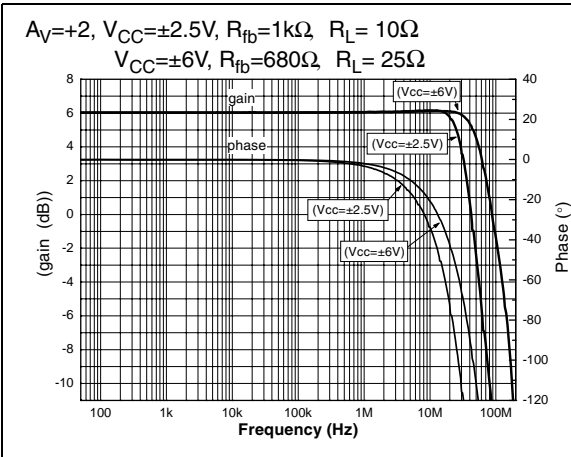


Figure 7. Closed loop gain vs. frequency

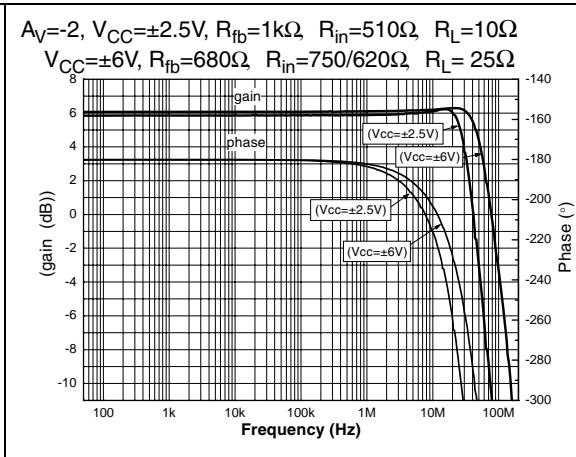


Figure 8. Closed loop gain vs. frequency

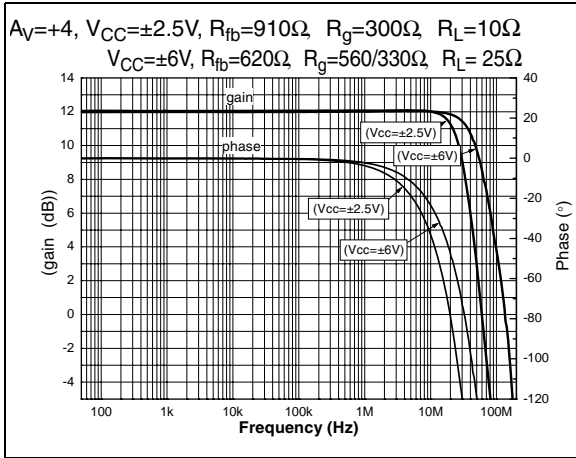


Figure 9. Closed loop gain vs. frequency

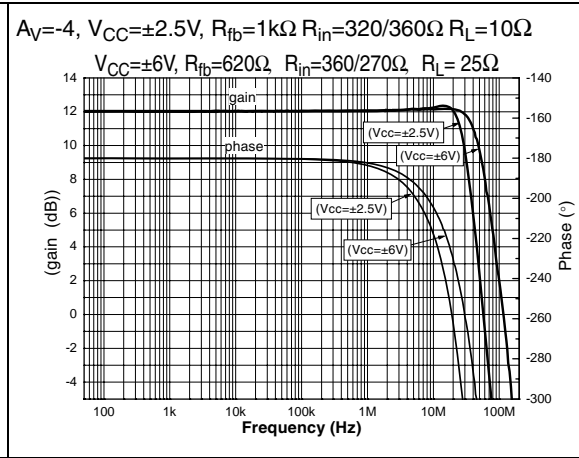


Figure 10. Closed loop gain vs. frequency

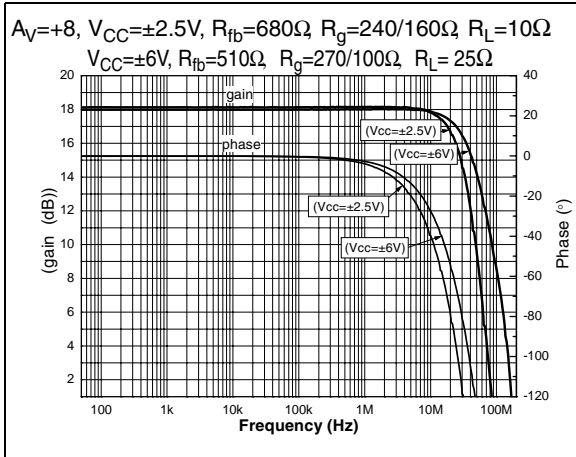


Figure 11. Closed loop gain vs. frequency

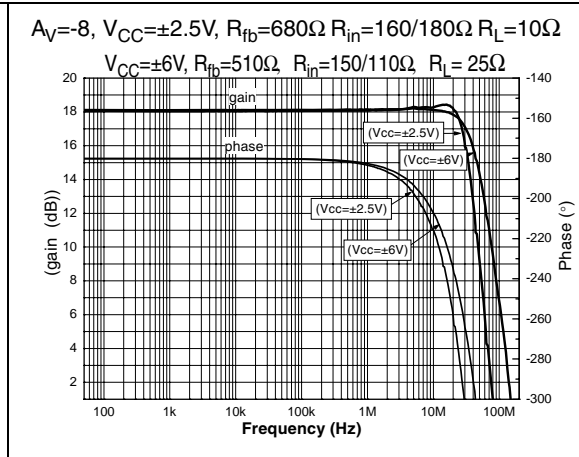


Figure 12. Positive slew rate

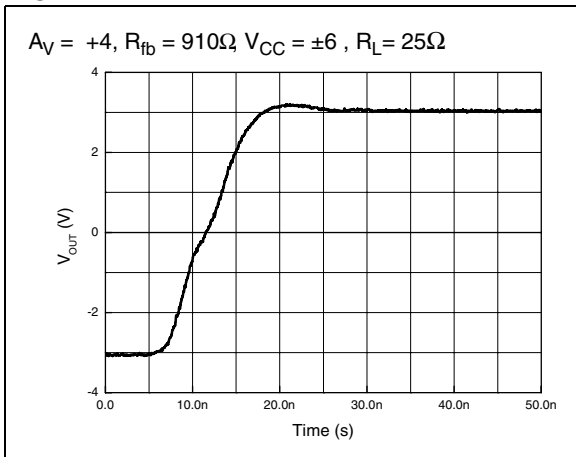


Figure 13. Positive slew rate

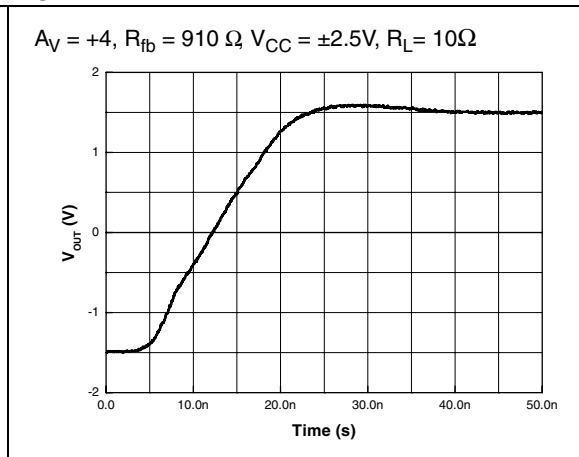


Figure 14. Positive slew rate

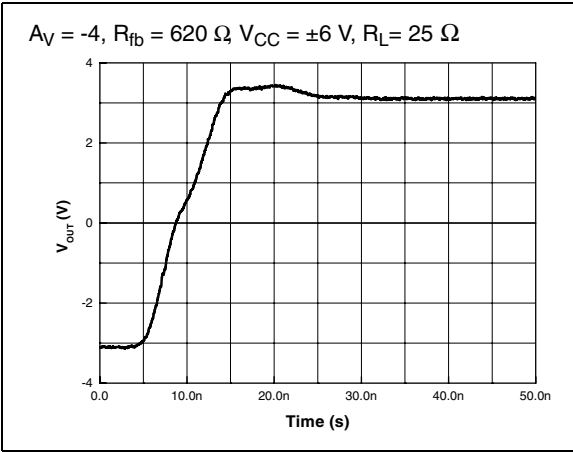


Figure 15. Positive slew rate

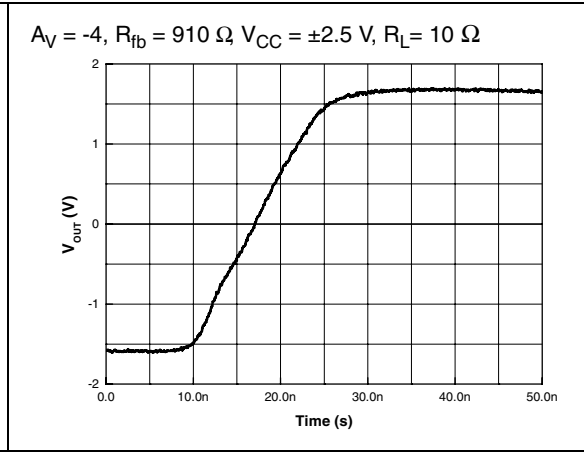


Figure 16. Negative slew rate

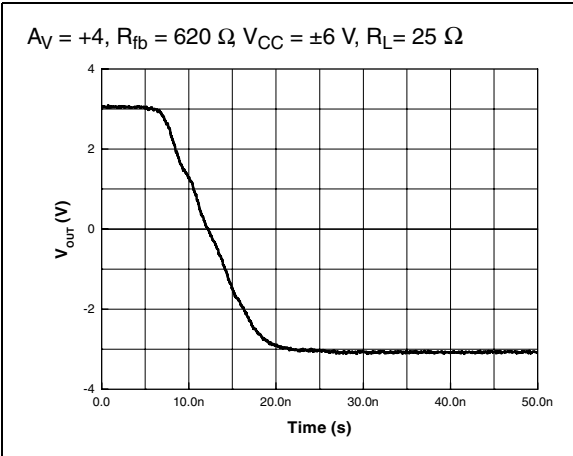


Figure 17. Negative slew rate

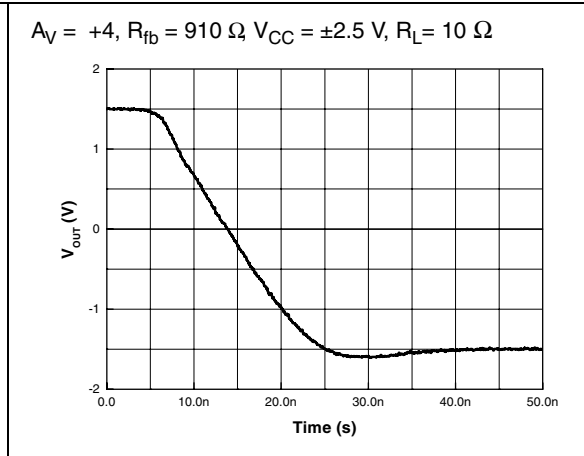


Figure 18. Negative slew rate

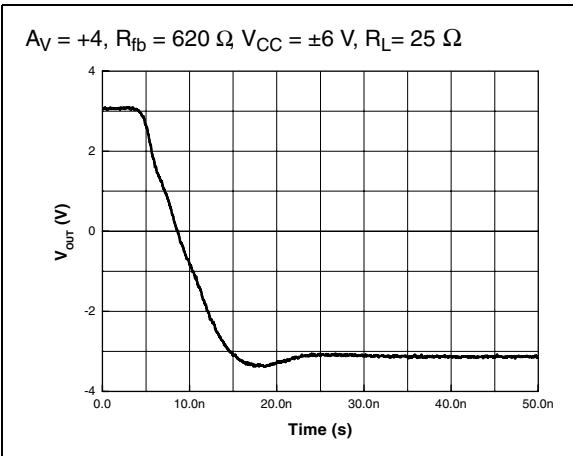


Figure 19. Negative slew rate

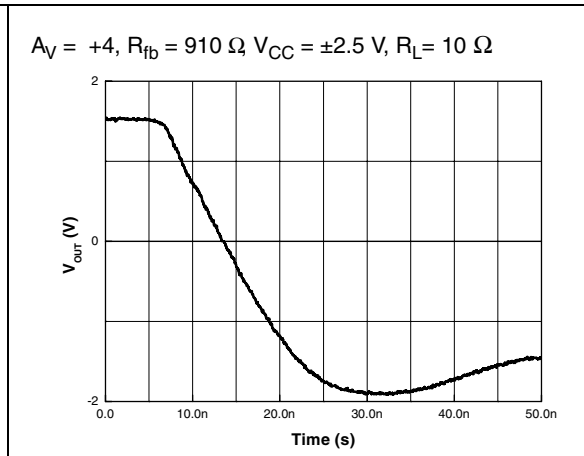


Figure 20. Input voltage noise level

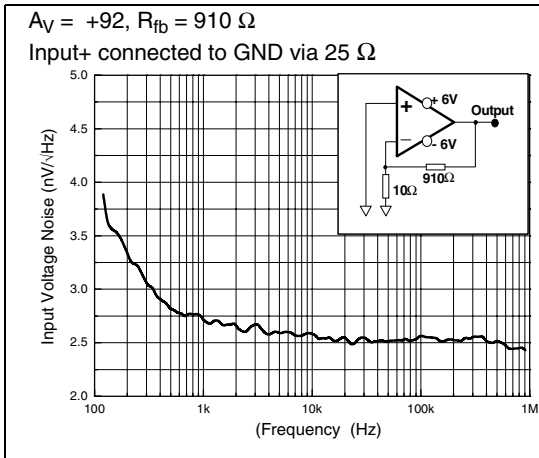


Figure 21. I_{CC} vs. power supply

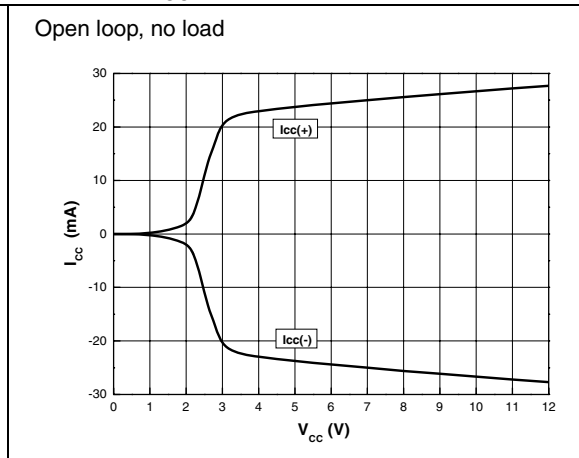


Figure 22. I_{ib} vs. power supply

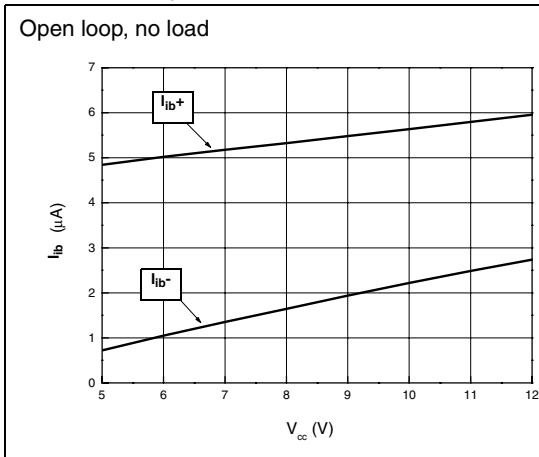


Figure 23. V_{OH} & V_{OL} vs. power supply

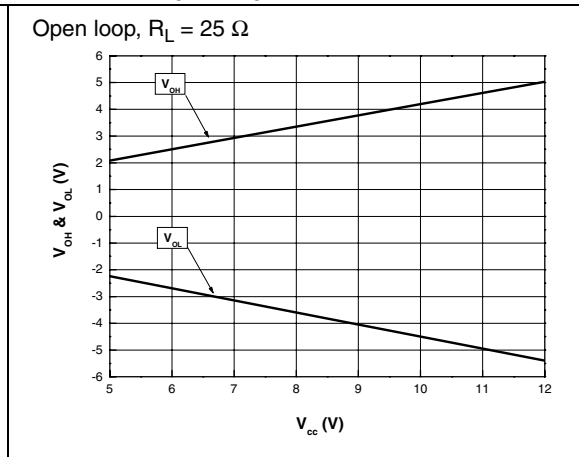


Figure 24. I_{source} vs. output amplitude

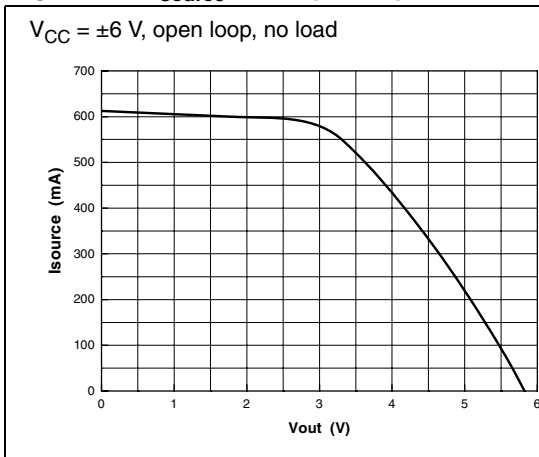


Figure 25. I_{source} vs. output amplitude

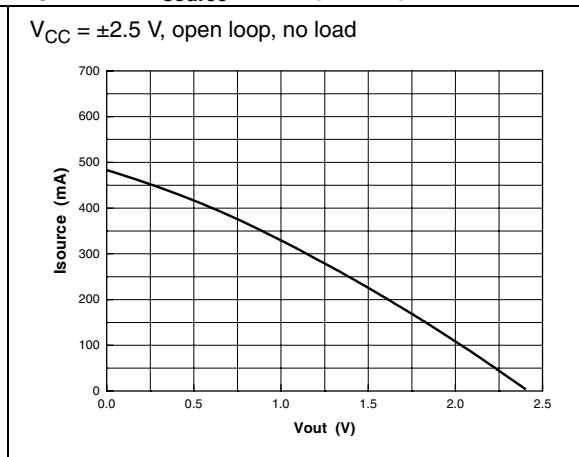


Figure 26. I_{sink} vs. output amplitude

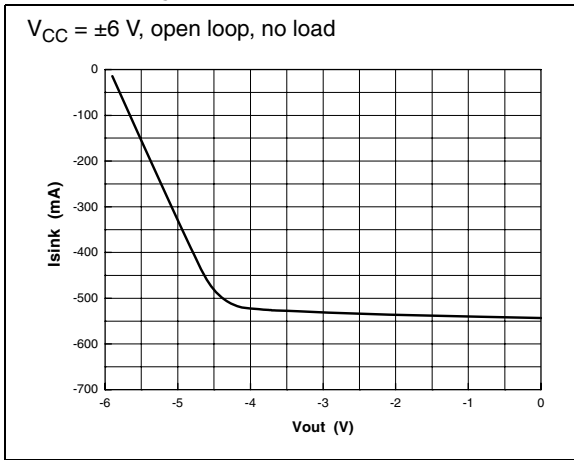


Figure 27. I_{sink} vs. output amplitude

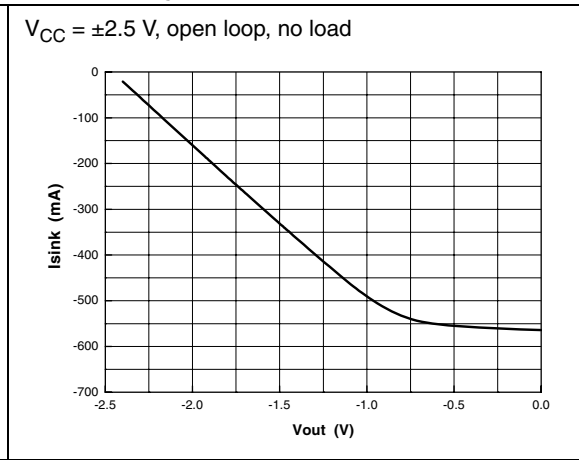


Figure 28. Maximum output amplitude vs. load Figure 29. Bandwidth vs. temperature

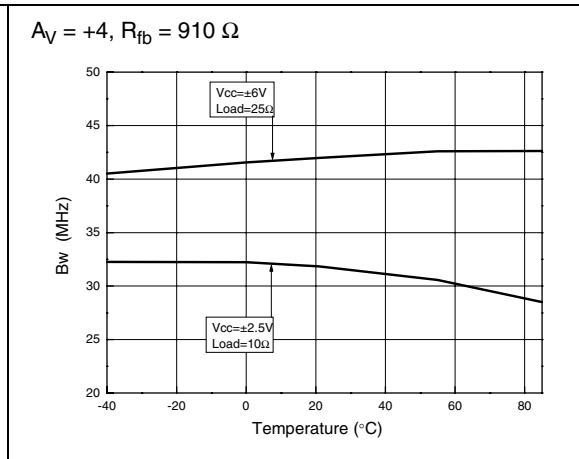
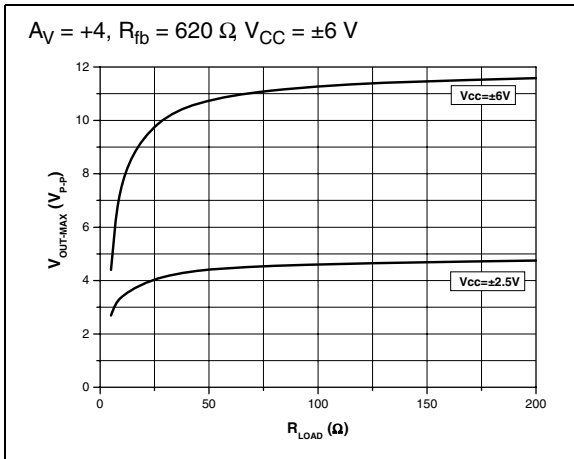


Figure 30. Transimpedance vs. temperature

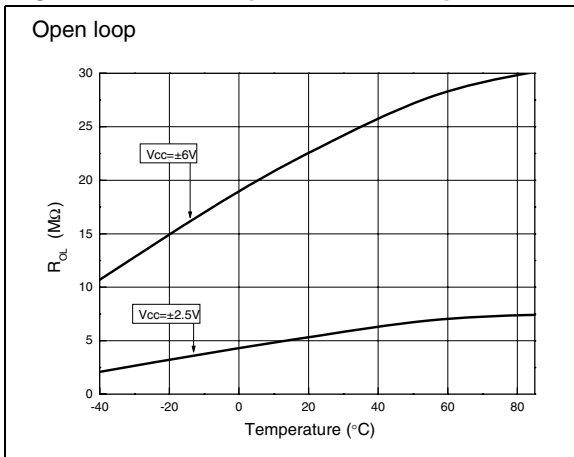


Figure 31. I_{CC} vs. temperature

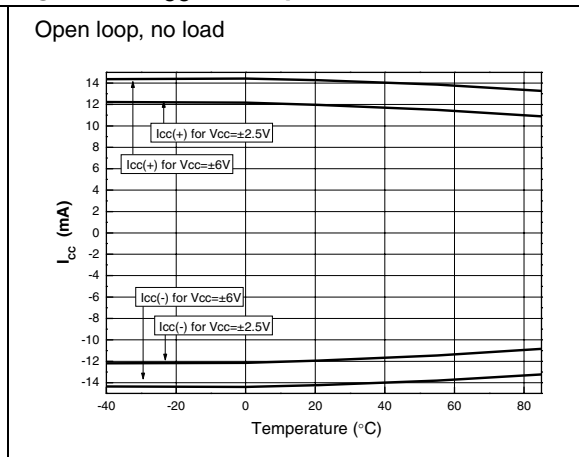


Figure 32. Slew rate vs. temperature

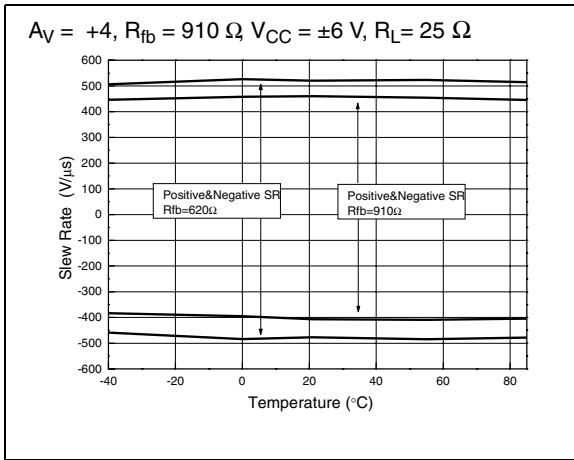


Figure 33. Slew rate vs. temperature

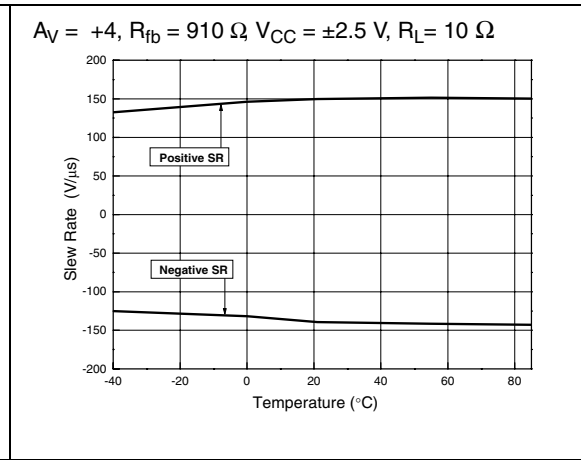


Figure 34. $I_{IB(+)}$ vs. temperature

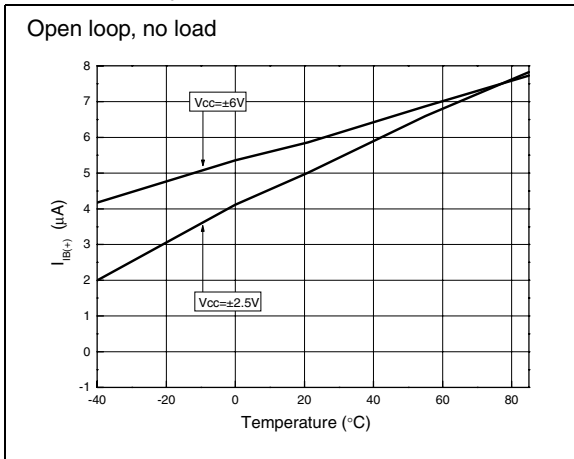


Figure 35. $I_{IB(-)}$ vs. temperature

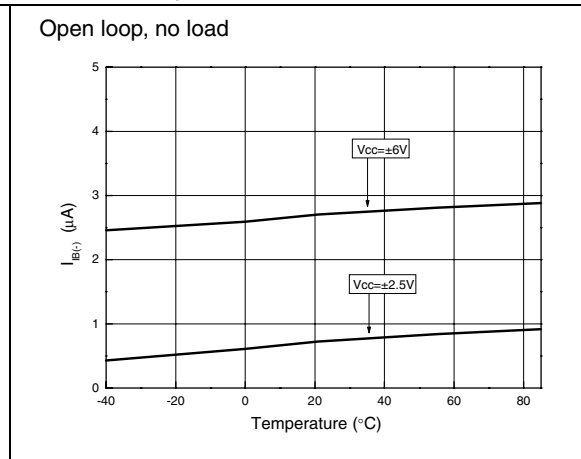


Figure 36. V_{OH} vs. temperature

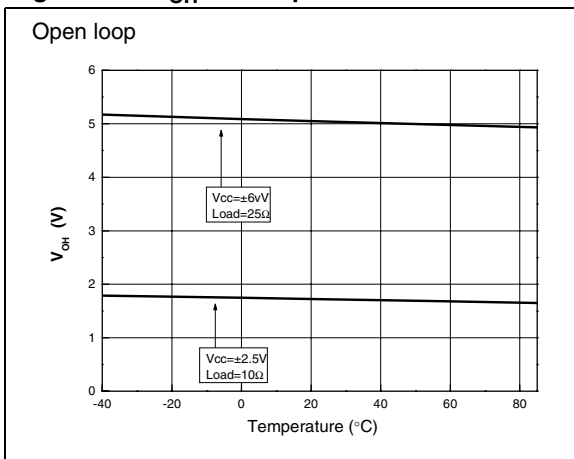


Figure 37. V_{OL} vs. temperature

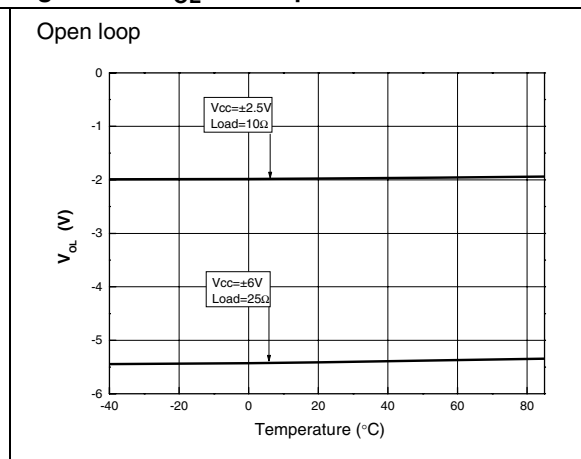


Figure 38. Differential V_{io} vs. temperature

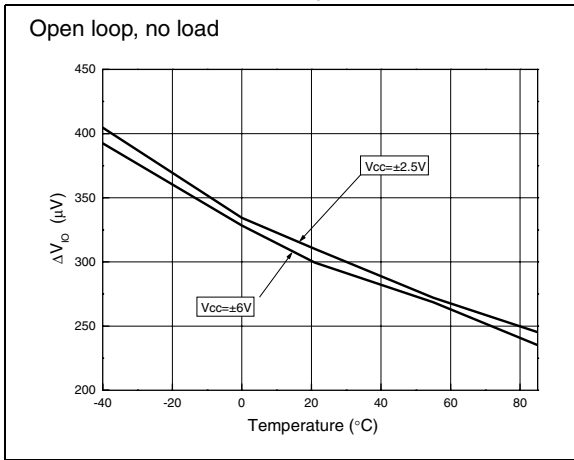


Figure 39. V_{io} vs. temperature

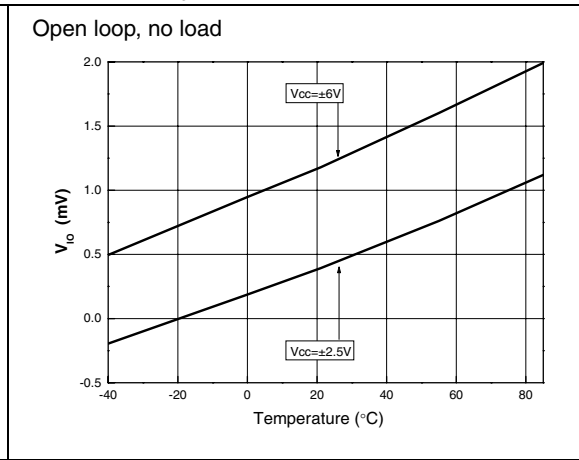


Figure 40. I_{out} vs. temperature

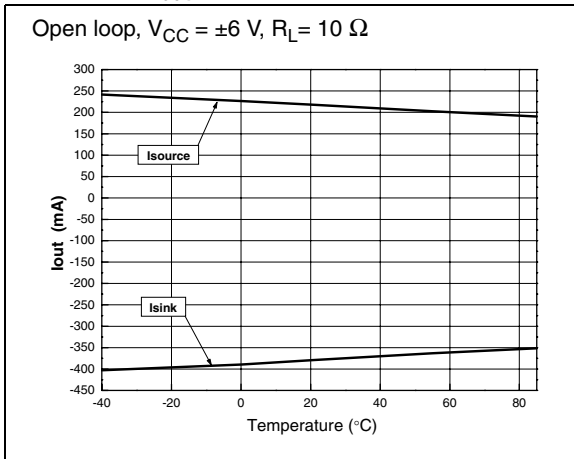


Figure 41. I_{out} vs. temperature

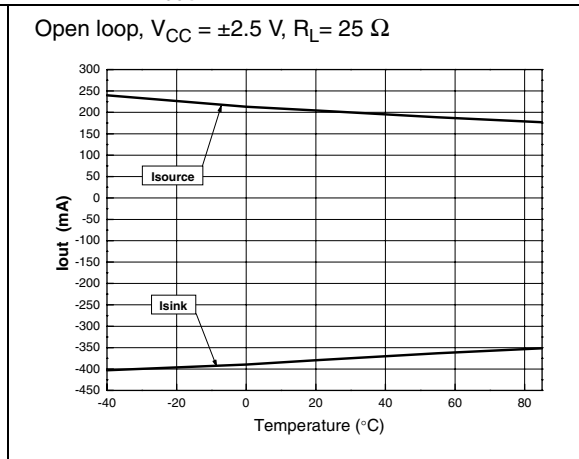


Figure 42. CMR vs. temperature

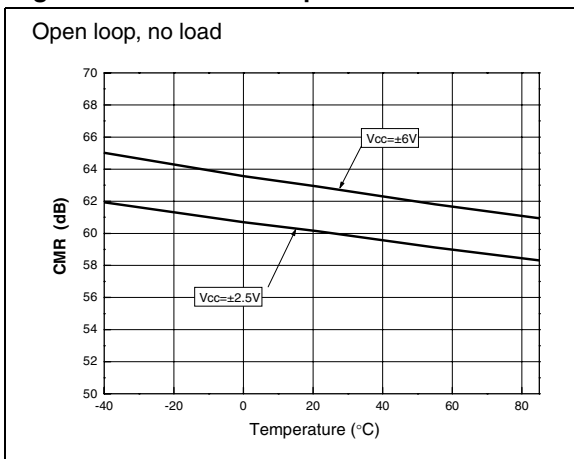
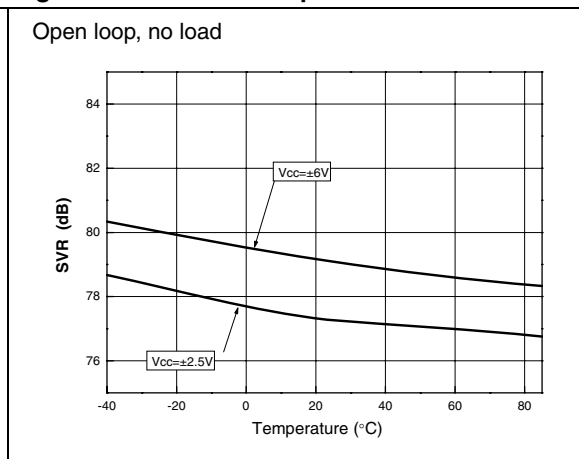


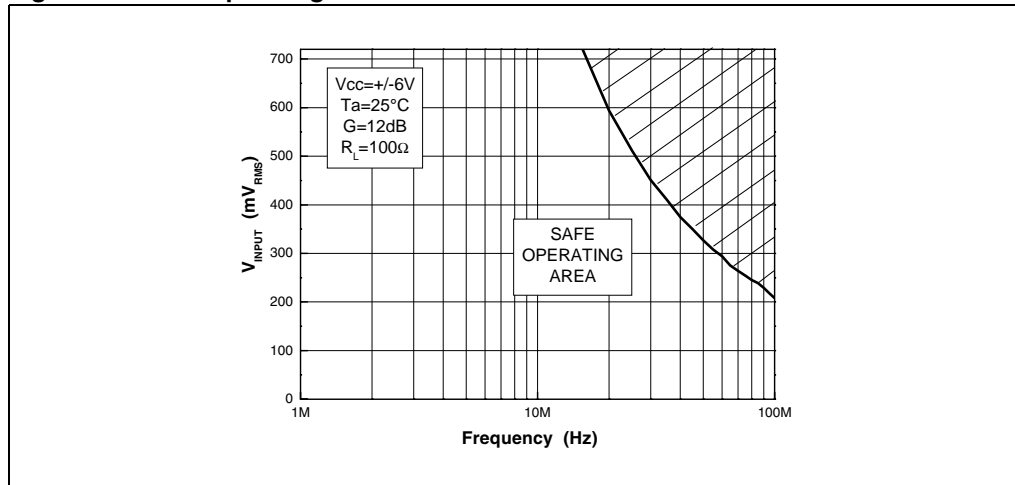
Figure 43. SVR vs. temperature



4 Safe operating area

Figure 44 shows the safe operating zone for the TS616. The curve shows the input level vs. the input frequency—a characteristic curve which must be considered in order to ensure a good application design. In the dash-lined zone, the consumption increases, and this increased consumption could do damage to the chip if the temperature increases.

Figure 44. Safe operating area



5 Intermodulation distortion product

The non-ideal output of the amplifier can be described by the following series, due to a non-linearity in the input-output amplitude transfer:

$$V_{out} = C_0 + C_1 V_{in} + C_2 V_{in}^2 + C_n V_{in}^n$$

where the single-tone input is $V_{in} = A \sin \omega t$, and C_0 is the DC component, $C_1(V_{in})$ is the fundamental, C_n is the amplitude of the harmonics of the output signal V_{out} .

A one-frequency (one-tone) input signal contributes to a harmonic distortion. A two-tone input signal contributes to a harmonic distortion and an intermodulation product.

This intermodulation product, or rather, the study of the intermodulation distortion of a two-tone input signal is the first step in characterizing the amplifiers capability for driving multi-tone signals.

The two-tone input is equal to:

$$V_{in} = A \sin \omega_1 t + B \sin \omega_2 t$$

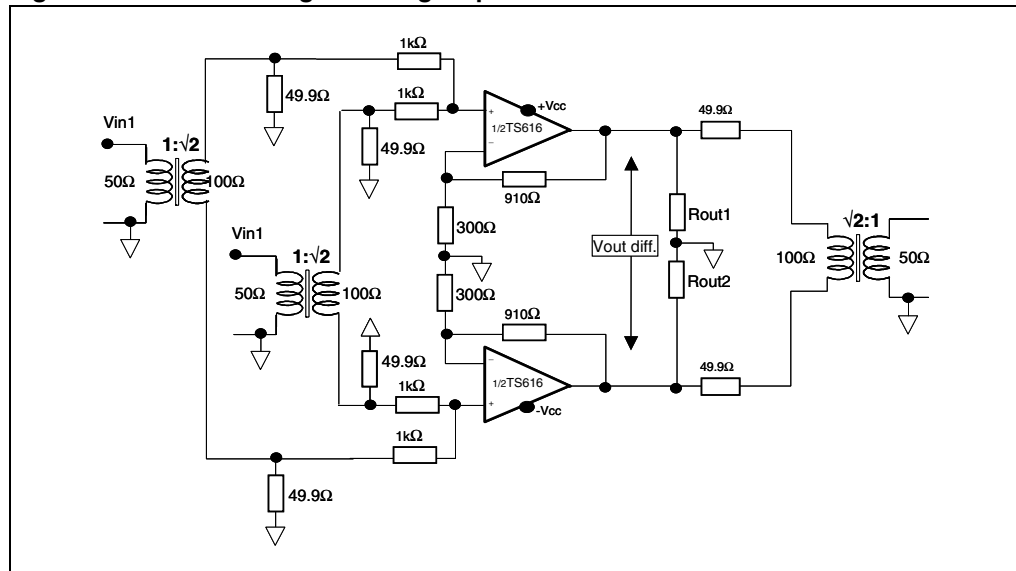
giving:

$$t = C_0 + C_1(A \sin \omega_1 t + B \sin \omega_2 t) + C_2(A \sin \omega_1 t + B \sin \omega_2 t)^2 \dots + C_n(A \sin \omega_1 t + B \sin \omega_2 t)^n$$

In this expression, we can extract distortion terms and intermodulation terms from a single sine wave: second-order intermodulation terms IM2 by the frequencies $(\omega_1 - \omega_2)$ and $(\omega_1 + \omega_2)$ with an amplitude of $C_2 A^2$ and third-order intermodulation terms IM3 by the frequencies $(2\omega_1 - \omega_2)$, $(2\omega_1 + \omega_2)$, $(-\omega_1 + 2\omega_2)$ and $(\omega_1 + 2\omega_2)$ with an amplitude of $(3/4)C_3 A^3$.

We can measure the intermodulation product of the driver by using the driver as a mixer via a summing amplifier configuration. In doing this, the non-linearity problem of an external mixing device is avoided.

Figure 45. Non-inverting summing amplifier for intermodulation measurements



The following graphs show the IM2 and the IM3 of the amplifier in different configurations. The two-tone input signal was generated by the multisource generator Marconi 2026. Each tone has the same amplitude. The measurement was performed using a HP3585A spectrum analyzer.

Figure 46. Intermodulation vs. output amplitude

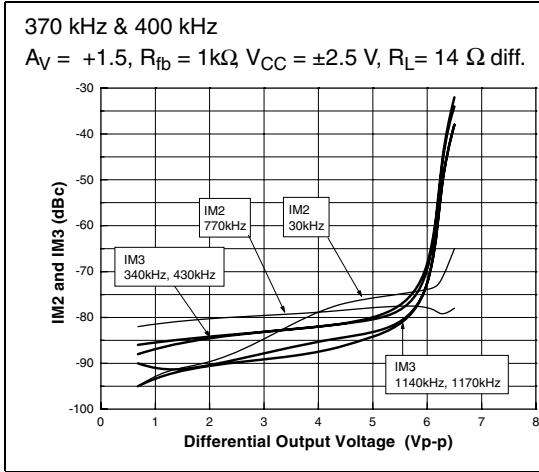


Figure 47. Intermodulation vs. output amplitude

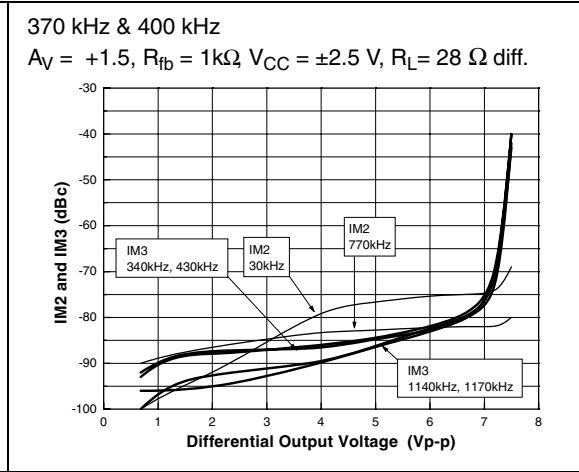


Figure 48. Intermodulation vs. gain

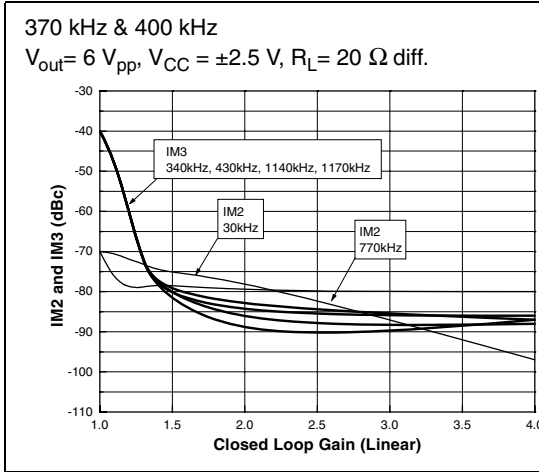


Figure 49. Intermodulation vs. load

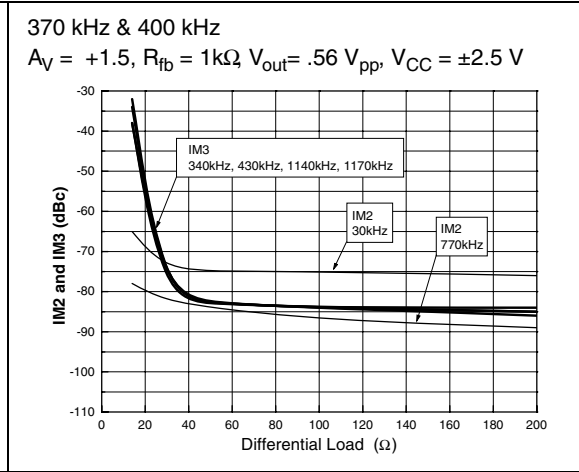


Figure 50. Intermodulation vs. output amplitude

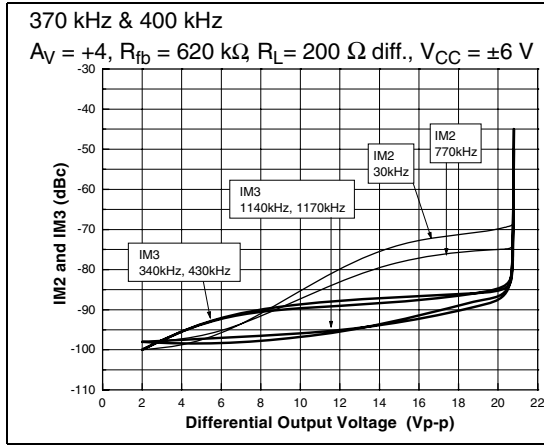


Figure 51. Intermodulation vs. output amplitude

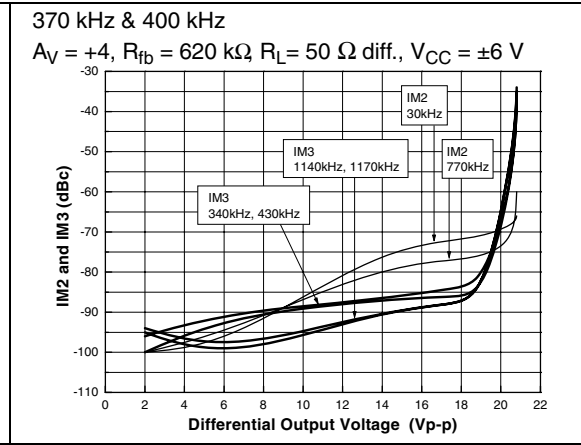


Figure 52. Intermodulation vs. output amplitude

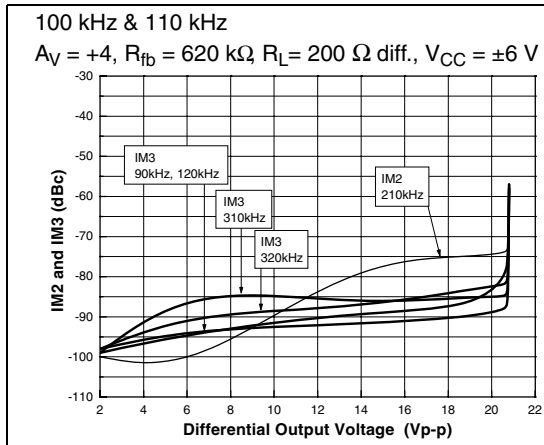


Figure 53. Intermodulation vs. output amplitude

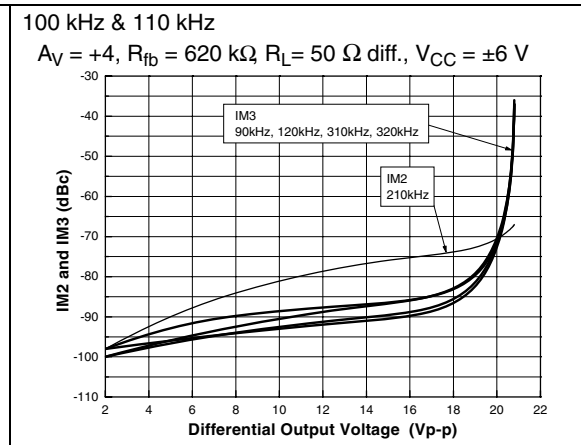
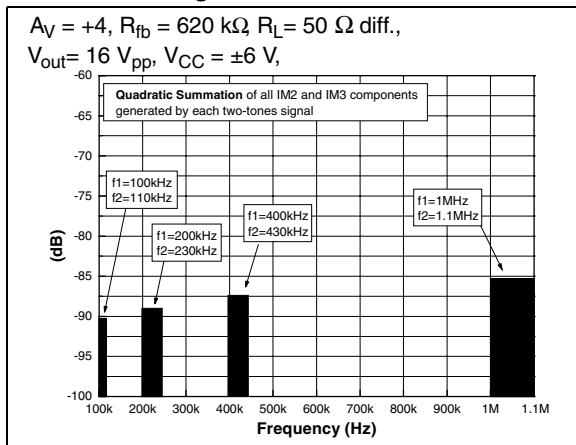


Figure 54. Intermodulation vs. frequency range



6 Printed circuit board layout considerations

In the ADSL frequency range, printed circuit board parasites can affect the closed-loop performance.

The use of a proper ground plane on both sides of the PCB is necessary to provide low inductance and a low resistance common return. The most important factors affecting gain flatness and bandwidth are stray capacitance at the output and inverting input. To minimize capacitance, the space between signal lines and ground plane should be maximized. Feedback component connections must be as short as possible in order to decrease the associated inductance which affects high-frequency gain errors. It is very important to choose the smallest possible external components—for example, surface mounted devices (SMD)—in order to minimize the size of all DC and AC connections.

6.1 Thermal information

The TS616 is housed in an exposed-pad plastic package. As described in [Figure 55](#), this package has a lead frame upon which the dice is mounted. This lead frame is exposed as a thermal pad on the underside of the package. The thermal contact is direct with the dice. This thermal path provides an excellent thermal performance.

The thermal pad is electrically isolated from all pins in the package. It must be soldered to a copper area of the PCB underneath the package. Through these thermal paths within this copper area, heat can be conducted away from the package. The copper area **must** be connected to $-V_{CC}$ available on pin 4.

Figure 55. Exposed-pad package

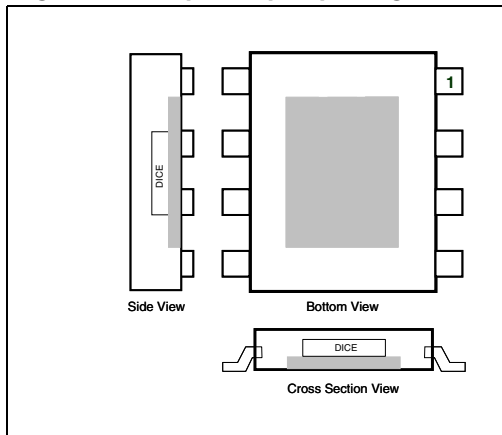


Figure 56. Evaluation board

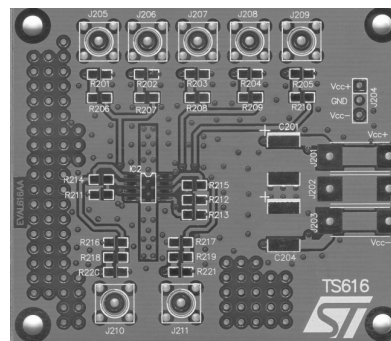


Figure 57. Schematic diagram

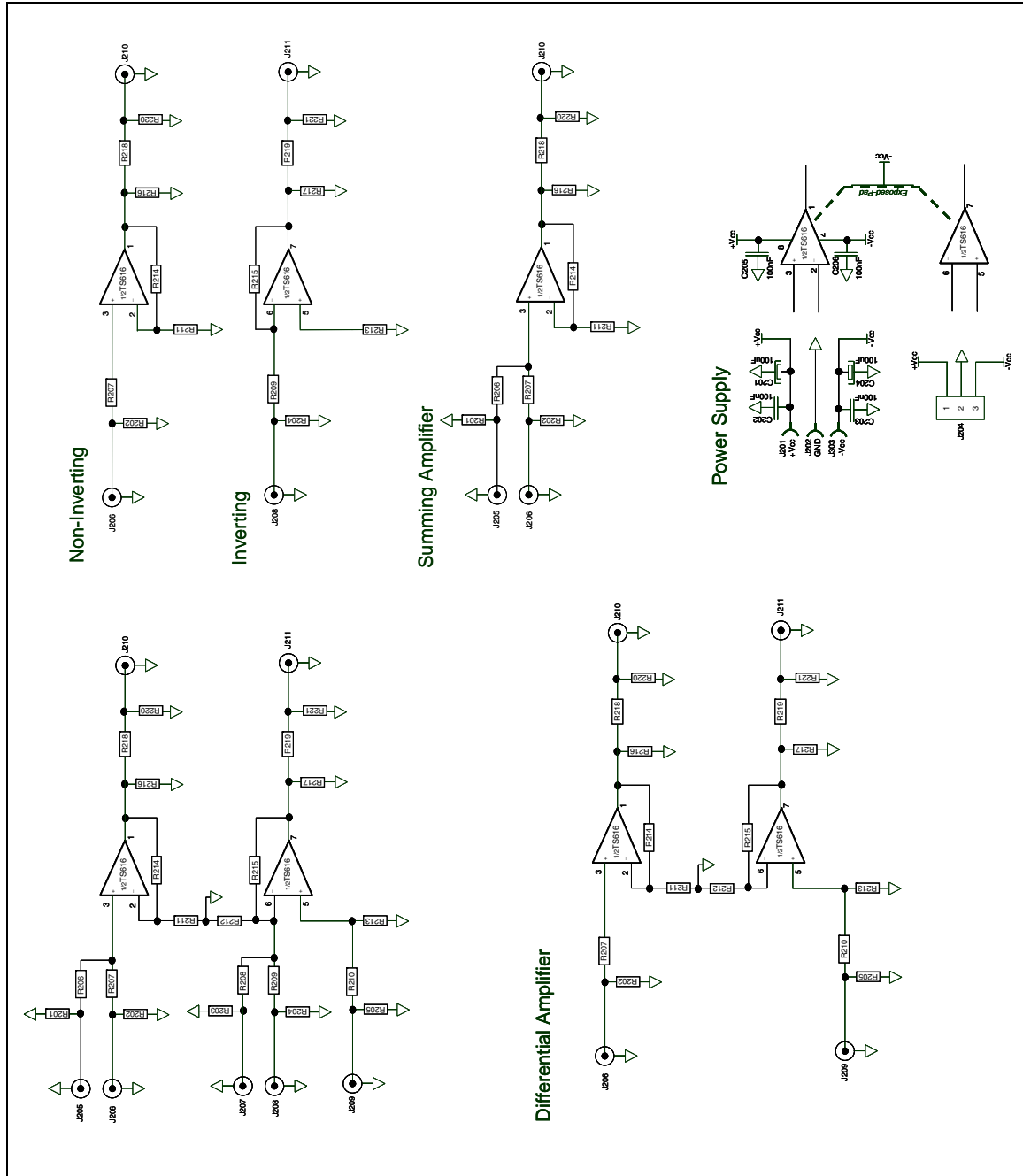


Figure 58. Component locations - top side

Figure 59. Component locations - bottom side

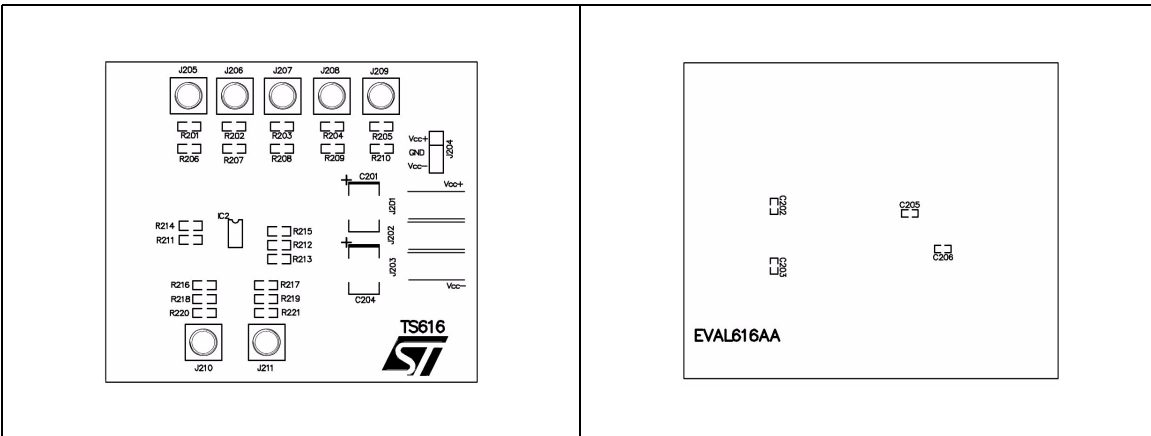
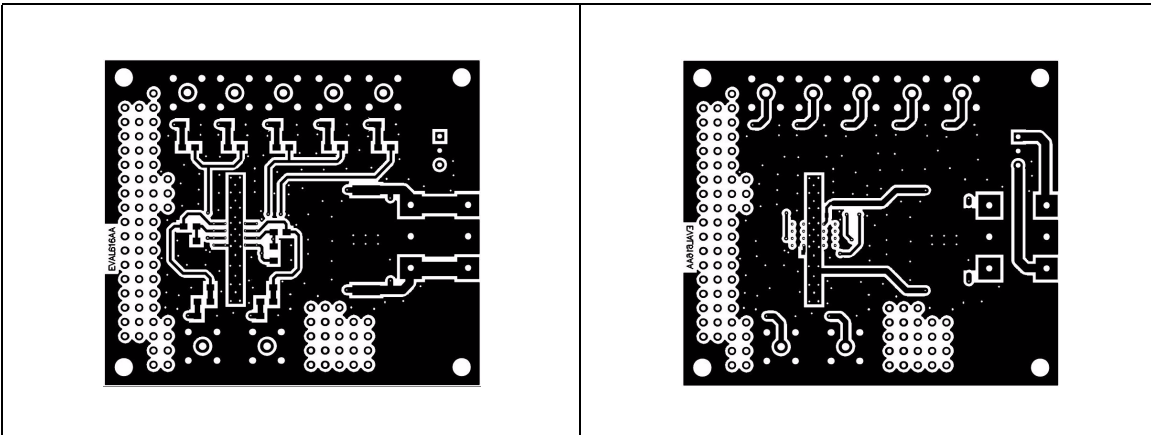


Figure 60. Top side board layout

Figure 61. Bottom side board layout

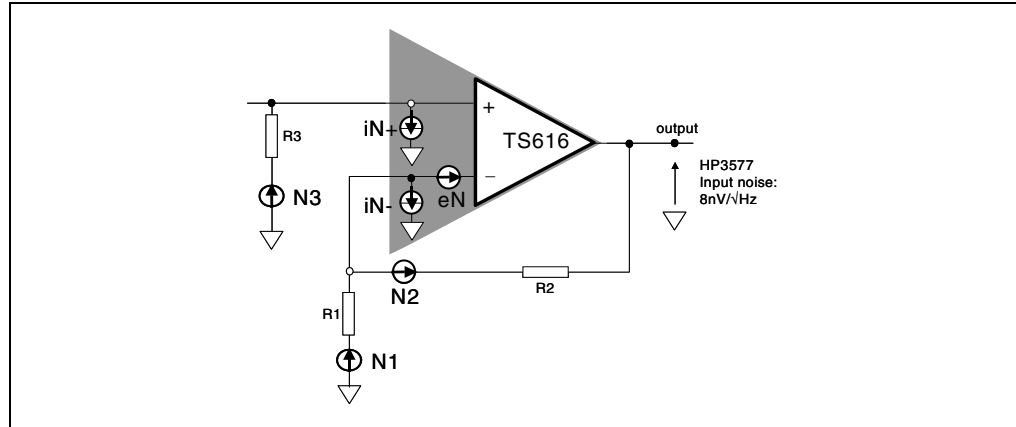


7 Noise measurements

The noise model is shown in [Figure 62](#), where:

- eN : input voltage noise of the amplifier
- iNn : negative input current noise of the amplifier
- iNp : positive input current noise of the amplifier

Figure 62. Noise model



The closed loop gain is:

$$A_V = g = 1 + \frac{R_{fb}}{R_g}$$

The six noise sources are:

$$V1 = eN \times \left(1 + \frac{R2}{R1}\right)$$

$$V2 = iNn \times R2$$

$$V3 = iNp \times R3 \times \left(1 + \frac{R2}{R1}\right)$$

$$V4 = \frac{R2}{R1} \times \sqrt{4kTR1}$$

$$V5 = \sqrt{4kTR2}$$

$$V6 = \left(1 + \frac{R2}{R1}\right) \sqrt{4kTR3}$$

We assume that the thermal noise of a resistance R is:

$$\sqrt{4kTR\Delta F}$$

where ΔF is the specified bandwidth.

On a 1 Hz bandwidth the thermal noise is reduced to:

$$\sqrt{4kTR}$$

where k is Boltzmann's constant, equal to $1374 \cdot 10^{-23} \text{ J/}^\circ\text{K}$. T is the temperature ($^\circ\text{K}$).

The output noise eNo is calculated using the Superposition Theorem. However eNo is not the sum of all noise sources, but rather the square root of the sum of the square of each noise source, as shown in [Equation 1](#).

Equation 1

$$V_o = \sqrt{V_1^2 + V_2^2 + V_3^2 + V_4^2 + V_5^2 + V_6^2}$$

Equation 2

$$\begin{aligned} N_o^2 &= eN^2 \times g^2 + iNn^2 \times R_2^2 + iNp^2 \times R_3^2 \times g^2 \\ &\dots + \left(\frac{R_2}{R_1}\right)^2 \times 4kTR_1 + 4kTR_2 + \left(1 + \frac{R_2}{R_1}\right)^2 \times 4kTR_3 \end{aligned}$$

The input noise of the instrumentation must be extracted from the measured noise value. The real output noise value of the driver is:

Equation 3

$$eNo = \sqrt{(\text{Measured})^2 - (\text{instrumentation})^2}$$

The input noise is called the Equivalent Input Noise as it is not directly measured but is evaluated from the measurement of the output divided by the closed loop gain (eNo/g).

After simplification of the fourth and the fifth term of [Equation 2](#) we obtain:

Equation 4

$$= eN^2 \times g^2 + iNn^2 \times R_2^2 + iNp^2 \times R_3^2 \times g^2 \dots + g \times 4kTR_2 + \left(1 + \frac{R_2}{R_1}\right)^2 \times 4kT$$

7.1 Measurement of eN

If we assume a short-circuit on the non-inverting input ($R_3=0$), [Equation 4](#) becomes:

Equation 5

$$N_o = \sqrt{eN^2 \times g^2 + iNn^2 \times R_2^2 + g \times 4kTR_2}$$

In order to easily extract the value of eN , the resistance R_2 will be chosen as low as possible. On the other hand, the gain must be large enough:

- $R_1=10 \Omega$, $R_2=910 \Omega$, $R_3=0$, Gain=92
- Equivalent input noise: 2.57 nV/ $\sqrt{\text{Hz}}$
- Input voltage noise: $eN=2.5$ nV/ $\sqrt{\text{Hz}}$

7.2 Measurement of iNn

To measure the negative input current noise iNn , we set $R3=0$ and use [Equation 5](#). This time the gain must be lower in order to decrease the thermal noise contribution:

- $R1=100\ \Omega$, $R2=910\ \Omega$, $R3=0$, gain= 10.1
- Equivalent input noise: 3.40 nV/ $\sqrt{\text{Hz}}$
- Negative input current noise: $iNn = 21\ \text{pA}/\sqrt{\text{Hz}}$

7.3 Measurement of iNp

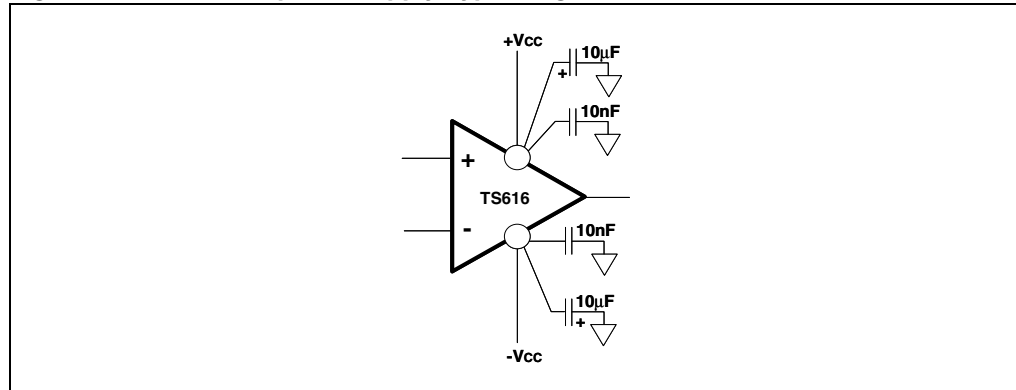
To extract iNp from [Equation 3](#), a resistance $R3$ is connected to the non-inverting input. The value of $R3$ must be chosen in order to keep its thermal noise contribution as low as possible against the iNp contribution.

- $R1=100\ \Omega$, $R2=910\ \Omega$, $R3=100\ \Omega$, Gain=10.1
- Equivalent input noise: 3.93 nV/ $\sqrt{\text{Hz}}$
- Positive input current noise: $iNp=15\ \text{pA}/\sqrt{\text{Hz}}$
- Conditions: Frequency=100 kHz, $V_{CC} = \pm 2.5\ \text{V}$
- Instrumentation: HP3585A Spectrum Analyzer (the input noise of the HP3585A is 8 nV/ $\sqrt{\text{Hz}}$)

8 Power supply bypassing

Correct power supply bypassing is very important for optimizing performance in high-frequency ranges. Bypass capacitors should be placed as close as possible to the IC pins to improve high-frequency bypassing. A capacitor greater than 1 μF is necessary to minimize the distortion. For better quality bypassing, a capacitor of 10 nF is added using the same implementation conditions. Bypass capacitors must be incorporated for both the negative and the positive supply.

Figure 63. Circuit for power supply bypassing



8.1 Single power supply

The TS616 can operate with power supplies ranging from 12 V to 5 V. The power supply can either be single (12 V or 5 V referenced to ground), or dual (such as ± 6 V and ± 2.5 V).

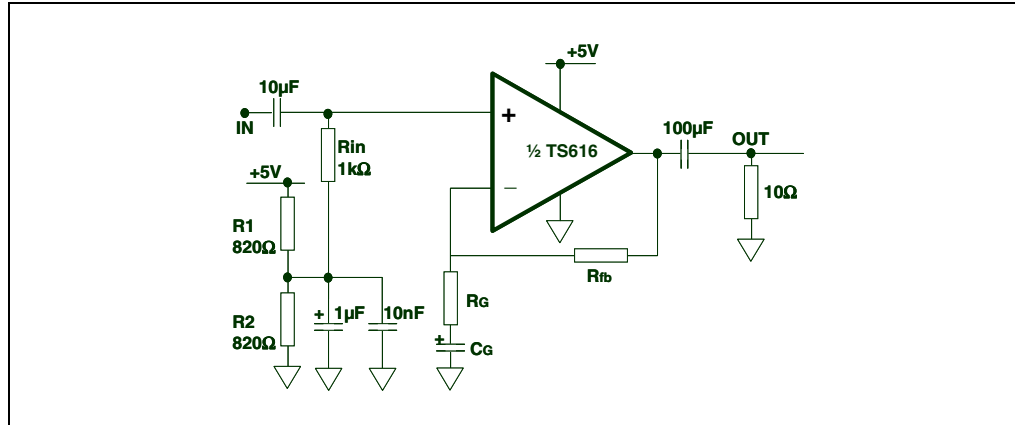
In the event that a single supply system is used, new biasing is necessary to assume a positive output dynamic range between 0 V and $+V_{CC}$ supply rails. Considering the values of V_{OH} and V_{OL} , the amplifier will provide an output dynamic from +0.5 V to 10.6 V on 25 Ω load for a 12 V supply and from 0.45 V to 3.8 V on 10 Ω load for a 5 V supply.

The amplifier must be biased with a mid-supply (nominally $+V_{CC}/2$), in order to maintain the DC component of the signal at this value. Several options are possible to provide this bias supply, such as a virtual ground using an operational amplifier or a two-resistance divider (which is the cheapest solution). A high resistance value is required to limit the current consumption. On the other hand, the current must be high enough to bias the non-inverting input of the amplifier. If we consider this bias current (30 μA max.) as the 1% of the current through the resistance divider to keep a stable mid-supply, two resistances of 2.2 k Ω can be used in the case of a 12 V power supply and two resistances of 820 Ω can be used in the case of a 5 V power supply.

The input provides a high-pass filter with a break frequency below 10 Hz which is necessary to remove the original 0 volt DC component of the input signal, and to fix it at $+V_{CC}/2$.

Figure 64 shows a schematic of a 5 V single power supply configuration.

Figure 64. Circuit for +5 V single supply

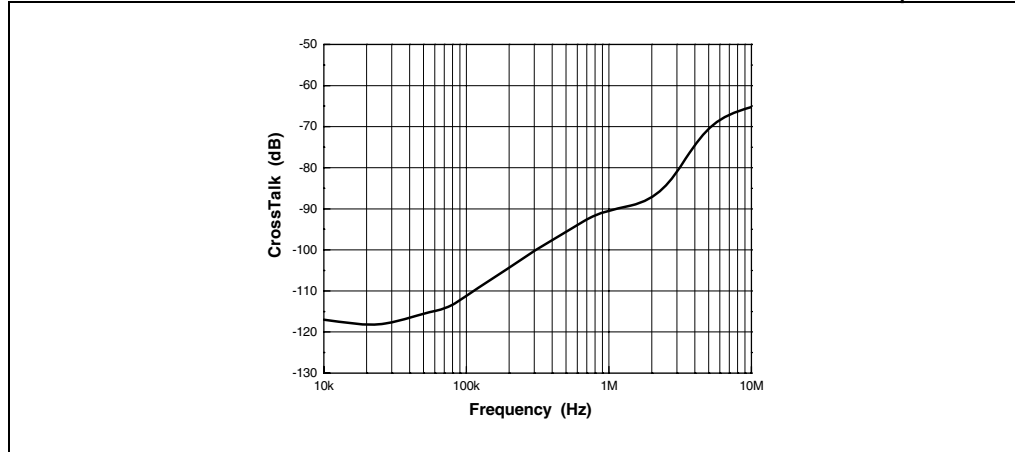


8.2 Channel separation and crosstalk

Figure 65 shows an example of crosstalk from one amplifier to a second amplifier. This phenomenon, accentuated at high frequencies, is unavoidable and intrinsic to the circuit itself.

Nevertheless, the PCB layout also has an effect on the crosstalk level. Capacitive coupling between signal wires, distance between critical signal nodes and power supply bypassing are the most significant factors.

Figure 65. Crosstalk vs. frequency: $A_V=+4$, $R_{fb}=620\ \Omega$, $V_{CC}=\pm 6\ V$, $V_{out}=2\ V_p$



9 Choosing the feedback circuit

As described in [Figure 67](#) on page 29, the TS616 requires a 620 Ω feedback resistor to optimize the bandwidth with a gain of 12 dB for a 12 V power supply. Nevertheless, due to production test constraints, the TS616 is tested with the same feedback resistor for 12 V and 5 V power supplies (910 Ω).

Table 5. Closed-loop gain - feedback components

V _{CC} (V)	Gain	R _{fb} (Ω)
± 6	+1	750
	+2	680
	+4	620
	+8	510
	-1	680
	-2	680
	-4	620
	-8	510
± 2.5	+1	1.1k
	+2	1k
	+4	910
	+8	680
	-1	1k
	-2	1k
	-4	910
	-8	680

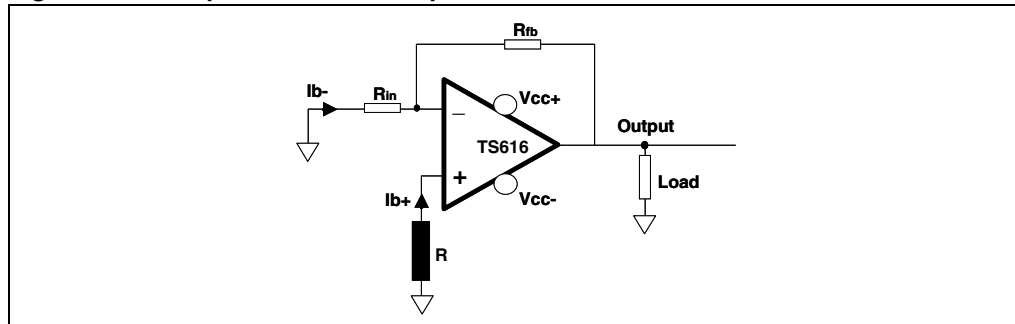
9.1 The bias of an inverting amplifier

A resistance is necessary to achieve good input biasing, such as resistance R, shown in [Figure 66](#).

The magnitude of this resistance is calculated by assuming the negative and positive input bias current. The aim is to compensate for the offset bias current, which could affect the input offset voltage and the output DC component. Assuming I_{b-} , I_{b+} , R_{in} , R_{fb} and a zero volt output, the resistance R is:

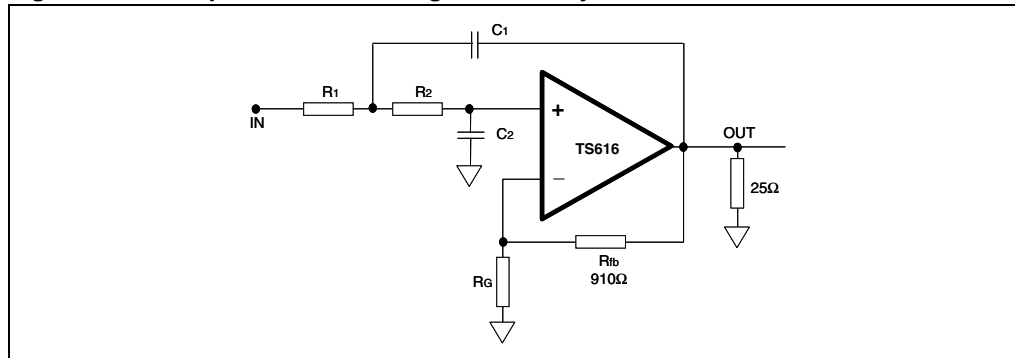
$$R = R_{in} // R_{fb}$$

Figure 66. Compensation of the input bias current



9.2 Active filtering

Figure 67. Low-pass active filtering - Sallen-Key



From the resistors R_{fb} and R_G , we can directly calculate the gain of the filter in a classic non-inverting amplification configuration:

$$A_V = g = 1 + \frac{R_{fb}}{R_g}$$

We assume the following expression as the response of the system:

$$T_{j\omega} = \frac{V_{out_{j\omega}}}{V_{in_{j\omega}}} = \frac{g}{1 + 2\zeta \frac{j\omega}{\omega_c} + \frac{(j\omega)^2}{\omega_c^2}}$$

The cutoff frequency is not gain-dependent and so becomes:

$$\omega_c = \frac{1}{\sqrt{R_1 R_2 C_1 C_2}}$$

The damping factor is calculated by the following expression:

$$\zeta = \frac{1}{2} \omega_c (C_1 R_1 + C_1 R_2 + C_2 R_1 - C_1 R_1 g)$$

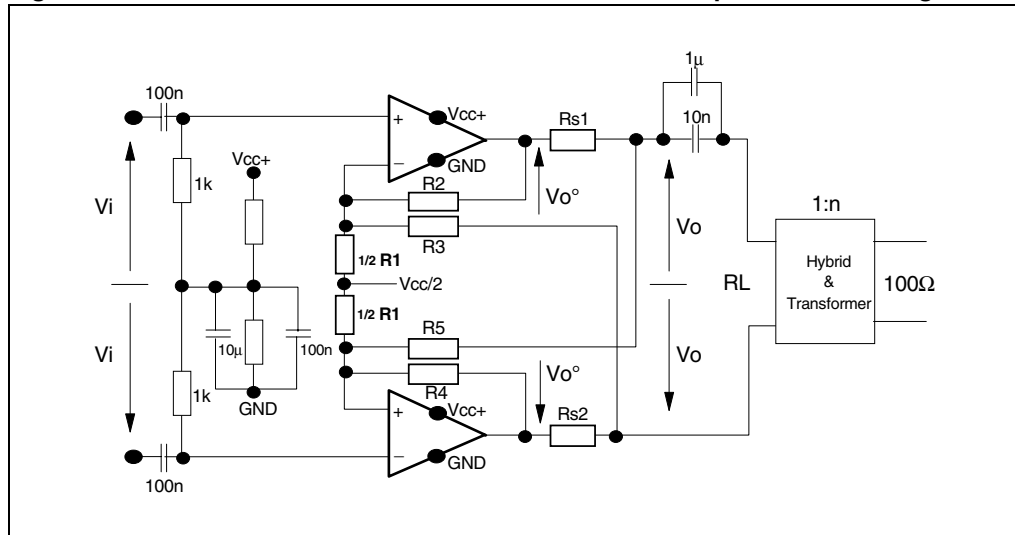
The higher the gain the more sensitive the damping factor is. When the gain is higher than 1, it is preferable to use some very stable resistor and capacitor values. In the case of $R_1 = R_2$:

$$\zeta = \frac{2C_2 - C_1 \frac{R_{fb}}{R_g}}{2\sqrt{C_1 C_2}}$$

10 Increasing the line level using active impedance matching

With passive matching, the output signal amplitude of the driver must be twice the amplitude on the load. To go beyond this limitation an active matching impedance can be used. With this technique, it is possible to maintain good impedance matching with an amplitude on the load higher than half of the output driver amplitude. This concept is shown in [Figure 68](#) for a differential line.

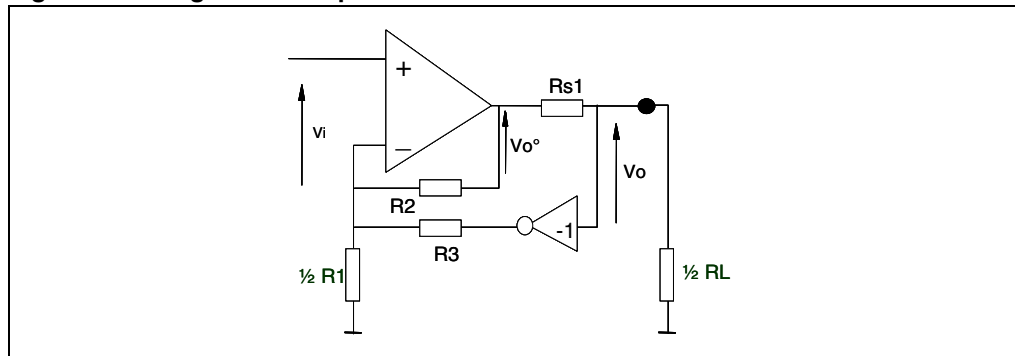
Figure 68. TS616 as a differential line driver with active impedance matching



Component calculation

Let us consider the equivalent circuit for a single-ended configuration, as shown in [Figure 69](#).

Figure 69. Single-ended equivalent circuit



First let's consider the unloaded system. We can assume that the currents through R1, R2 and R3 are respectively:

$$\frac{2V_i}{R_1}, \frac{(V_i - V_o^o)}{R_2} \text{ and } \frac{(V_i + V_o)}{R_3}$$

As V_o^o equals V_o without load, the gain in this case becomes:

$$G = \frac{V_o(\text{no load})}{V_i} = \frac{1 + \frac{2R_2}{R_1} + \frac{R_2}{R_3}}{1 - \frac{R_2}{R_3}}$$

The gain, for the loaded system is given by [Equation 6](#):

Equation 6

$$G_L = \frac{V_o(\text{with load})}{V_i} = \frac{1}{2} \frac{1 + \frac{2R_2}{R_1} + \frac{R_2}{R_3}}{1 - \frac{R_2}{R_3}}$$

The system shown in [Figure 70](#) is an ideal generator with a synthesized impedance acting as the internal impedance of the system. From this, the output voltage becomes:

Equation 7

$$V_o = (V_i G) - (R_o \cdot I_{out})$$

where R_o is the synthesized impedance and I_{out} the output current.

On the other hand V_o can be expressed as:

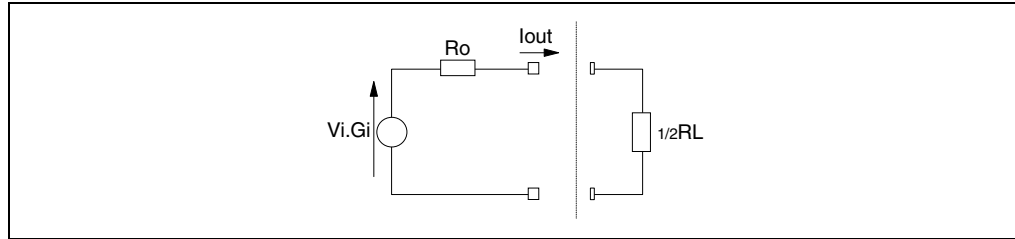
Equation 8

$$V_o = \frac{V_i \left(1 + \frac{2R_2}{R_1} + \frac{R_2}{R_3} \right)}{1 - \frac{R_2}{R_3}} - \frac{R_{s1} I_{out}}{1 - \frac{R_2}{R_3}}$$

By identification of both [Equation 7](#) and [Equation 8](#), the synthesized impedance is, with $R_{s1} = R_{s2} = R_s$:

Equation 9

$$R_o = \frac{R_s}{1 - \frac{R_2}{R_3}}$$

Figure 70. Equivalent schematic - R_o is the synthesized impedance

Let us write $V_o = kV_i$, where k is the matching factor varying between 1 and 2. If we assume that the current through R_3 is negligible, we can calculate the output resistance, R_o :

$$R_o = \frac{kV_o R_L}{R_L + 2R_{s1}}$$

After choosing the k factor, R_s will be equal to $1/2R_L(k-1)$.

For a good impedance matching we assume that:

Equation 10

$$R_o = \frac{1}{2}R_L$$

From [Equation 9](#) and [Equation 10](#), we derive:

Equation 11

$$\frac{R_2}{R_3} = 1 - \frac{2R_s}{R_L}$$

By fixing an arbitrary value of R_2 , [Equation 11](#) becomes:

$$R_3 = \frac{R_2}{1 - \frac{2R_s}{R_L}}$$

Finally, the values of R_2 and R_3 allow us to extract R_1 from [Equation 6](#), so that:

Equation 12

$$R_1 = \frac{2R_2}{2\left(1 - \frac{R_2}{R_3}\right)G_L - 1 - \frac{R_2}{R_3}}$$

with G_L the required gain.

Table 6. Components calculation for impedance matching implementation

GL (gain for the loaded system)	GL is fixed for the application requirements $G_L = V_o/V_i = 0.5(1 + 2R_2/R_1 + R_2/R_3)/(1 - R_2/R_3)$
R1	$2R_2/[2(1 - R_2/R_3)G_L - 1 - R_2/R_3]$
R2 (= R4)	Arbitrarily fixed
R3 (= R5)	$R_2/(1 - R_s/0.5R_L)$
Rs	$0.5R_L(k-1)$
Load viewed by each driver	$kR_L/2$

11 Package information

In order to meet environmental requirements, ST offers these devices in ECOPACK[®] packages. These packages have a Lead-free second level interconnect. The category of second level interconnect is marked on the package and on the inner box label, in compliance with JEDEC Standard JESD97. The maximum ratings related to soldering conditions are also marked on the inner box label. ECOPACK is an ST trademark. ECOPACK specifications are available at: www.st.com

Figure 71. SO-8 exposed pad package mechanical drawing

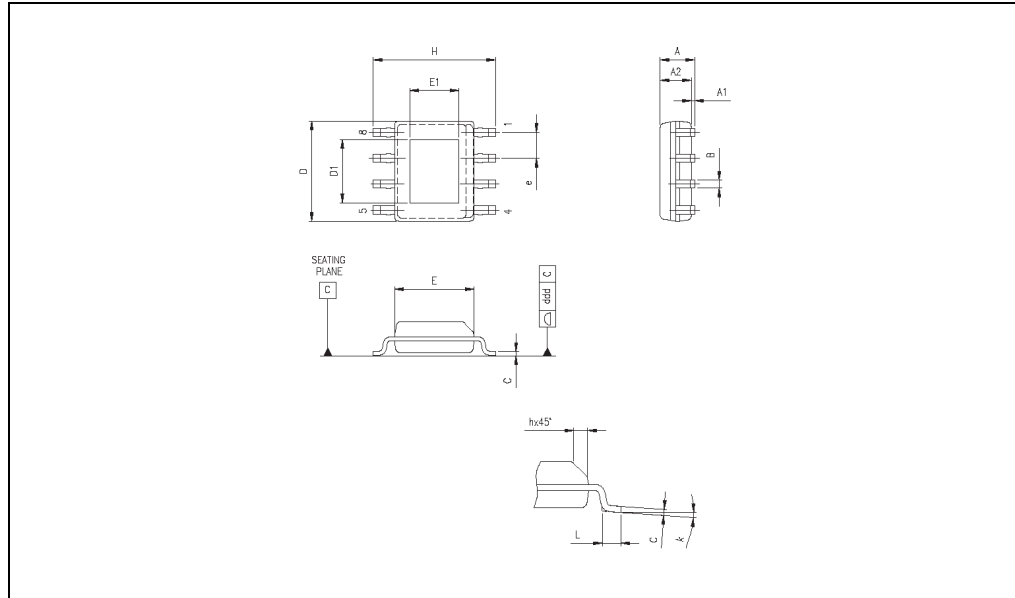


Table 7. SO-8 exposed pad package mechanical data

Dimensions						
Ref.	Millimeters			Inches		
	Min.	Typ.	Max.	Min.	Typ.	Max.
A	1.350		1.750	0.053		0.069
A1	0.000		0.150	0.001		0.0059
A2	1.100		1.650	0.043		0.065
B	0.330		0.510	0.013		0.020
C	0.190		0.250	0.007		0.010
D	4.800		5.000	0.189		0.197
D1		3.10			0.122	
E	3.800		4.000	0.150		0.157
E1		2.41			0.095	
e	1.270			0.050		
H	5.800		6.200	0.228		0.244
h	0.250		0.500	0.010		0.020
L	0.400		1.270	0.016		0.050
k	0d		8d	0d		8d
ddd			0.100			0.004

12 Ordering information

Table 8. Order codes

Part number	Temperature range	Package	Packaging	Marking
TS616IDW	-40°C to +85°C	SO-8	Tube	TS616
TS616IDWT			Tape & reel	TS616

13 Revision history

Date	Revision	Changes
1-Nov-2002	1	First release.
03-Dec-2004	2	Moved note in Table 3 to Section 9: Choosing the feedback circuit on page 28 . Figure 43 in Revision 1, entitled <i>Group Delay</i> , has been removed because the results presented were not technically meaningful. Simplified mathematical representations of the intermodulation product in Section 5: Intermodulation distortion product on page 17 . In Section 6: Printed circuit board layout considerations on page 20 , change from “The copper area <i>can</i> be connected to (-Vcc) available on pin 4.” to “The copper area must be connected to -Vcc available on pin 4.”. In Section 9.1: The bias of an inverting amplifier on page 29 , change of section title, and correction of referred figure to Figure 66 .
24-Oct-2006	3	Format update. Corrected package mechanical data for SO-8 exposed pad.
16-Apr-2007	4	Corrected package error in Table 8: Order codes .
26-Sep-2008	5	Corrected package error in Table 8: Order codes .

Please Read Carefully:

Information in this document is provided solely in connection with ST products. STMicroelectronics NV and its subsidiaries ("ST") reserve the right to make changes, corrections, modifications or improvements, to this document, and the products and services described herein at any time, without notice.

All ST products are sold pursuant to ST's terms and conditions of sale.

Purchasers are solely responsible for the choice, selection and use of the ST products and services described herein, and ST assumes no liability whatsoever relating to the choice, selection or use of the ST products and services described herein.

No license, express or implied, by estoppel or otherwise, to any intellectual property rights is granted under this document. If any part of this document refers to any third party products or services it shall not be deemed a license grant by ST for the use of such third party products or services, or any intellectual property contained therein or considered as a warranty covering the use in any manner whatsoever of such third party products or services or any intellectual property contained therein.

UNLESS OTHERWISE SET FORTH IN ST'S TERMS AND CONDITIONS OF SALE ST DISCLAIMS ANY EXPRESS OR IMPLIED WARRANTY WITH RESPECT TO THE USE AND/OR SALE OF ST PRODUCTS INCLUDING WITHOUT LIMITATION IMPLIED WARRANTIES OF MERCHANTABILITY, FITNESS FOR A PARTICULAR PURPOSE (AND THEIR EQUIVALENTS UNDER THE LAWS OF ANY JURISDICTION), OR INFRINGEMENT OF ANY PATENT, COPYRIGHT OR OTHER INTELLECTUAL PROPERTY RIGHT.

UNLESS EXPRESSLY APPROVED IN WRITING BY AN AUTHORIZED ST REPRESENTATIVE, ST PRODUCTS ARE NOT RECOMMENDED, AUTHORIZED OR WARRANTED FOR USE IN MILITARY, AIR CRAFT, SPACE, LIFE SAVING, OR LIFE SUSTAINING APPLICATIONS, NOR IN PRODUCTS OR SYSTEMS WHERE FAILURE OR MALFUNCTION MAY RESULT IN PERSONAL INJURY, DEATH, OR SEVERE PROPERTY OR ENVIRONMENTAL DAMAGE. ST PRODUCTS WHICH ARE NOT SPECIFIED AS "AUTOMOTIVE GRADE" MAY ONLY BE USED IN AUTOMOTIVE APPLICATIONS AT USER'S OWN RISK.

Resale of ST products with provisions different from the statements and/or technical features set forth in this document shall immediately void any warranty granted by ST for the ST product or service described herein and shall not create or extend in any manner whatsoever, any liability of ST.

ST and the ST logo are trademarks or registered trademarks of ST in various countries.

Information in this document supersedes and replaces all information previously supplied.

The ST logo is a registered trademark of STMicroelectronics. All other names are the property of their respective owners.

© 2008 STMicroelectronics - All rights reserved

STMicroelectronics group of companies

Australia - Belgium - Brazil - Canada - China - Czech Republic - Finland - France - Germany - Hong Kong - India - Israel - Italy - Japan - Malaysia - Malta - Morocco - Singapore - Spain - Sweden - Switzerland - United Kingdom - United States of America

www.st.com

