

THIS DRAWING IS A CONTROLLED DOCUMENT FOR AMP INCORPORATED. IT IS SUBJECT TO CHANGE AND THE CONTROLLING ENGINEERING ORGANIZATION SHOULD BE CONTACTED FOR THE LATEST REVISION.

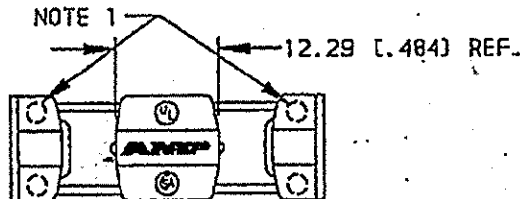
DRAWING MADE IN THIRD ANGLE PROJECTION

LOC	DIST	P	F	REVISIONS			
LTR	DESCRIPTION	DATE	APPROVED				
G	25			L	REV; EC 0230-0327-95	03 SEPT 96	DS / EH
				M	REV PER CG3A-0255-03	23 APR 03	WZ / TM

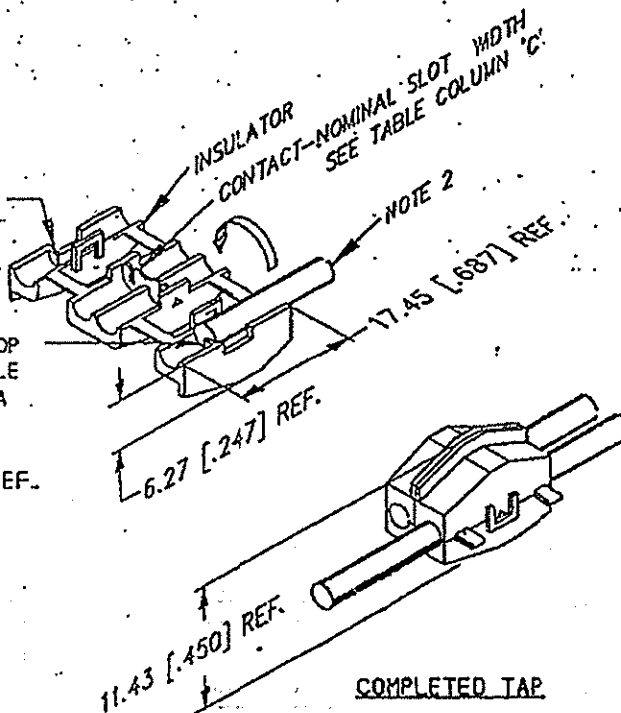
- NOTES:
1. DOTTED CIRCLES SHOW APPROX. LOCATION OF WIRE RANGE IDENTIFIERS.
 2. 4.06 (.160) MAX. INSULATION DIA.
 3. UL AND CSA LOGOS TO APPEAR ON HOUSING AS SHOWN.
 4. * PART NUMBER OBSOLETE.
 5. 100 PIECES IN A BOX.
 6. 5 PIECES IN A PRINTED POLY BAG WITH A PEG HOLE.

WIRE STOP
SEE TABLE
COLUMN B.

WIRE STOP
SEE TABLE
COLUMN A.



BOTTOM VIEW



COMPLETED TAP

53440-2 PER NOTE 6	0.51	[.020]	NO	YES	RED	0.5-0.8	[20-18]	53440-0* OBS.
53440-2 PER NOTE 5	0.51	[.020]	NO	YES	RED	0.5-0.8	[20-18]	53440-9
53440-1 PER NOTE 6	0.71	[.020]	NO	YES	BLUE	0.8-2	[18-14]	53440-8* OBS.
53440-1 PER NOTE 5	0.71	[.028]	NO	YES	BLUE	0.8-2	[18-14]	53440-7
OBSOLETE	0.51	[.020]	NO	NO	RED	0.5-0.8	[20-18]	53440-6*
OBSOLETE	0.71	[.028]	NO	NO	BLUE	0.8-2	[18-14]	53440-5*
OBSOLETE	0.71	[.028]	YES	YES	BLUE	0.8-2	[18-14]	53440-4*
OBSOLETE	0.51	[.020]	YES	YES	RED	0.5-0.8	[20-18]	53440-3*
	0.51	[.020]	NO	YES	RED	0.5-0.8	[20-18]	53440-2
	0.71	[.028]	NO	YES	BLUE	0.8-2	[18-14]	53440-1

PACKAGING	C	B	A	COLOR	mm ² WIRE SIZE	ANG	PART NO
-----------	---	---	---	-------	---------------------------	-----	---------

DO NOT SCALE PRINT, UNLESS SPECIFIED DIMENSIONS IN IN (10) TOLERANCES ON:
2 PLC DEC *
3 PLC DEC *
ANGLES *

DR MIDDLETOWN CAD 8/23/90
CHK B.J.H. 4-20-92
APPD
APPD F. HARNED 8/90
PRODUCT SPEC

MATERIAL
BRASS (MIL-C-50)
ON (MIL-M-20693A)

APPLICATION SPEC

FINISH
AMP SPEC 112-16

WEIGHT 2.18 g

AMP AMP Incorporated
Harrisburg, PA 17105-3608

NAME
ELECTRO - TAP

SIZE **A** CAGE CODE **00779** DRAWING NO **C-53440**

SCALE **NTS** SHEET **1 of 1**

AMP 1469-32 REV 3-92

CAACAD12VAHPACS3440 09/29/93 .1007

CUSTOMER DRAWING