

4

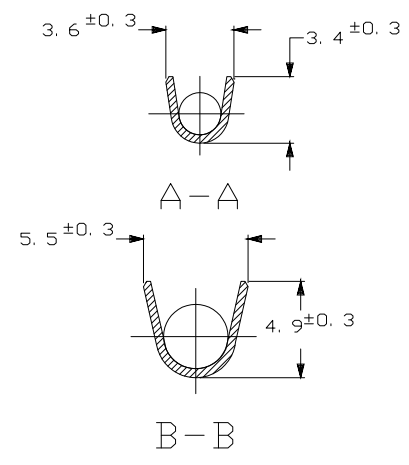
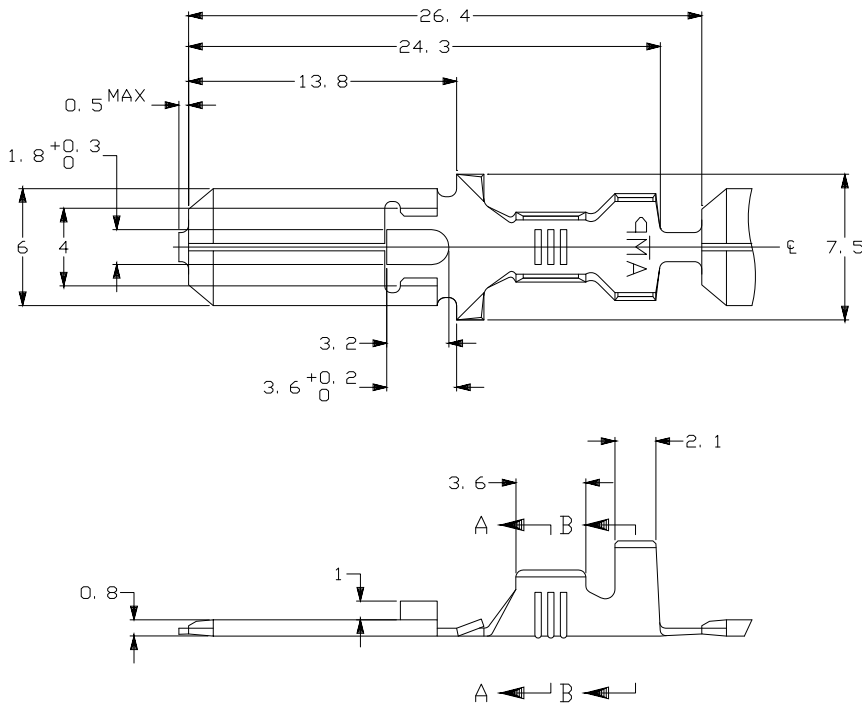
3

2

1

THIS DRAWING IS UNPUBLISHED. RELEASED FOR PUBLICATION
 © COPYRIGHT - By - ALL RIGHTS RESERVED.

LOC		DIST		REVISIONS				
				変更		DATE	DWN	APVD
P	LTR	DESCRIPTION		DATE	DWN	APVD		
	C3	REVISED PER ECO-11-005030		11MAR11	RK	HMR		



△ REVERSE REEL OF 170340-3
 △ 170340-3、逆巻リール

FINISH	MATERIAL	LOOSE PIECE NUMBER	PART NUMBER
△ #	PRE-TIN BRASS t0.41	#	1-170340-3
#	PRE-TIN BRASS t0.41	179462-3	170340-3
#	BRASS t0.41	#	170340-1

THIS DRAWING IS A CONTROLLED DOCUMENT.

DIMENSIONS: 単位: 種 mm

TOLERANCES UNLESS OTHERWISE SPECIFIED: 一般公差

0 PLC ± -
 1 PLC 10% ± 0.2
 2 PLC 10% ± 0.25
 3 PLC 4% ± 0.43
 4 PLC ± -
 ANGLES ± -
 FINISH 仕上

MATERIAL 材料 SEE TABLE

FINISH 仕上 SEE TABLE

DWN 19AUG98 CHK A.YAMAGUCHI	WIRE RANGE 0.5~2.27mm SQ #20~#14	INSULATION DIA 2.1~3.4 DIA
APVD 26AUG98 K.BETSUI	TE Connectivity 250 SERIES TAB WITHOUT LATCH 250シリーズ ラッチ無しタブ	
PRODUCT SPEC 108-5147		
APPLICATION SPEC 114-5052	SIZE A3	CAGE CODE 00779
WEIGHT 0.76g	DRAWING NO 170340	RESTRICTED TO -
CUSTOMER DRAWING	SCALE 5:1	SHEET 1 of 1 REV C3