

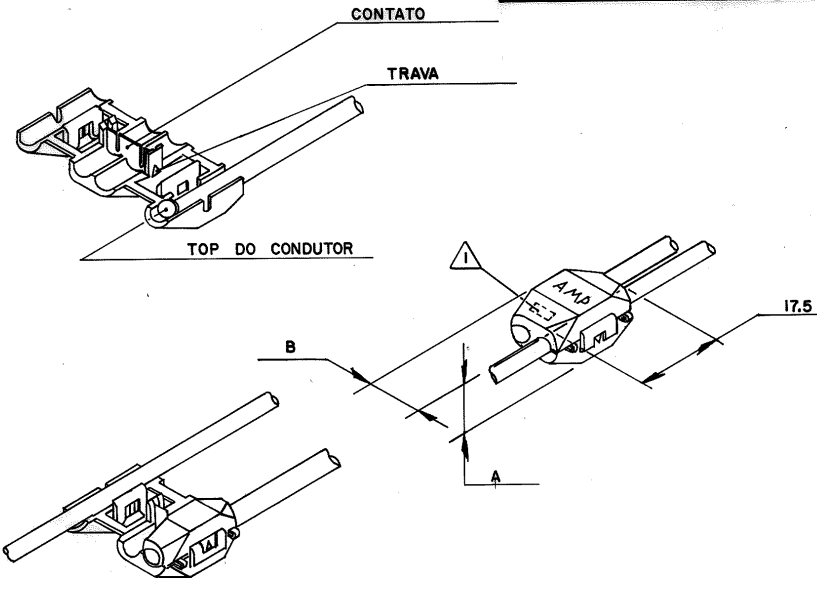
C 626437

C

B

A

DWG NO.	DO NOT SCALE		METRIC		3rd ANGLE PROJECTION
	DIMENSIONS IN mm.				
REQ. PER ASSY	ITEM	DESCRIPTION	MATERIAL	FINISH	



- ⚠️ GRAVAR BITOLA DE FIOS DE ACORDO COM TABELA ABAIXO.
- ⚠️ ETIQUETA PN 493294-1 APENAS PARA PMSF.
- ⚠️ ENGRAVE WIRE DIMENSION ACC. TO TABLE BELLOW.
- ⚠️ LABEL PN 493294-1 ONLY FOR PMSF.
- ⚠️ OBSOLETE PARTS: OBSOLETE CIS STREAMLINING PER D.RENAUD/D.SINISI

⚠️ OBSOLETE				05 - 0,8	RED				626437-4
					BLACK	NYLON 6/6 UV PROTECTED			626437-3 ⚠️
	12,6	10,0	4	1,0 - 2,5	BLUE	NYLON 6/6	TIN BRASS		626437-1
	B	A	Ø MAX. ISOLATING (mm)	WIRE DIM. mm ²	COLOUR	ISOLATOR	CONTACT		PART NUMBER

CUSTOMER DWG
for REFERENCE ONLY

THIS DRAWING IS UNPUBLISHED / RELEASED FOR PUBLICATION

© COPYRIGHT 19 BY AMP DO BRASIL LTDA S.P. ALL INTERNATIONAL RIGHTS RESERVED AMP PRODUCTS MAY BE COVERED BY U.S. AND FOREIGN PATENTS AND/OR PATENTS PENDING.

TOLERANCES UNLESS OTHERWISE STATED
DEC. ± 0.10
ANGLES ± 1°

INS. DIA. RANGE | WIRE RANGE | SCALE

AMP AMP do BRASIL LTDA.
São Paulo, Brasil

DR. 04 DEC 97
C.A.FERNANDES

DESCRIPTION
ELECTRO-TAP

E1 REVISED PER ECO-09-026444
E REVISED BY LEID.0443/04
D REVISED BY LEID.0277/04
C REDRAW LB00 437/97

CHK. 27 NOV 98
H.C. 31 JAN 99
H.C. 20 FEB 99
C.A.F. 12 97

ISS. REVISION RECORD ECN DR. DATE APP. J.A.LA SALVIA

DWG NO. **A3** C 626437

SHEET 1 OF 1