

4

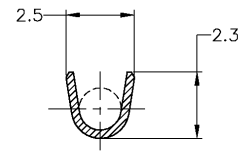
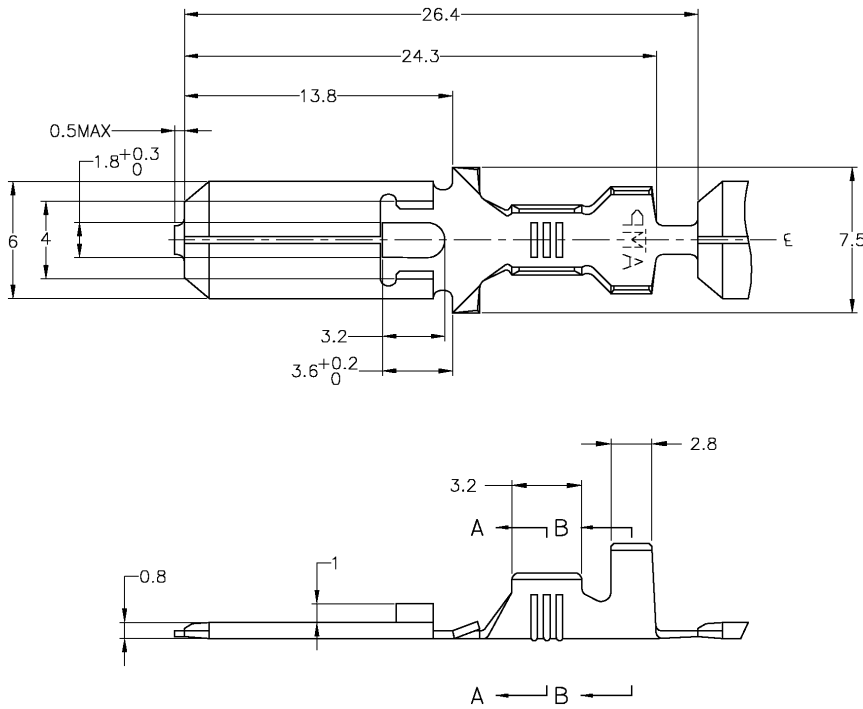
3

2

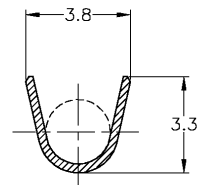
1

THIS DRAWING IS UNPUBLISHED. RELEASED FOR PUBLICATION
 © COPYRIGHT - BY TYCO ELECTRONICS CORPORATION. ALL RIGHTS RESERVED.

LOC	DIST	REVISIONS					
J	-	P	LTR	DESCRIPTION	DATE	DWN	APVD
		A1		REDRAWN W/CHANGE	FJA0-0527-03	09SEP03	AY KB



A-A



B-B

PRE-TIN	BRASS TEMP#2 ±0.4	170349-2
FINISH	BRASS TEMP#2 ±0.4	170349-1
	MATERIAL	AMP PART NUMBER

WIRE RANGE AWG No. #22~#20 (0.3~0.5mm ² Sq)	THIS DRAWING IS A CONTROLLED DOCUMENT.	
INSULATION DIA 1.5~2.2 DIA	DIMENSIONS: 單位: 轉 mm	TOLERANCES UNLESS OTHERWISE SPECIFIED: 數公差
TOLERANCE UNLESS OTHERWISE SPECIFIED: 數公差 0 ~ ≤ 10 : ±0.2 10 ~ ≤ 30 : ±0.25 ANGLE : ±3°	SEE TABLE	SEE TABLE
MATERIAL 材料	FINISH 仕上	

DWN A.YAMAGUCHI 09SEP03	Tyco Electronics AMP K.K. Kawasaki, Japan	
CHK K.BETSUI 09SEP03	AMP K.BETSUI 09SEP03	
APVD K.BETSUI	NAME 名称	
PRODUCT SPEC 製品規格 108-5147	250 SERIES TAB WITHOUT LATCH	
APPLICATION SPEC 適用条件規格 114-5052	SIZE 寸法	CAGE CODE 番号
WEIGHT 重量	0.65 g	DRAWING NO 番号
CUSTOMER DRAWING	A3 00779	170349
	SCALE 尺度	5:1
	SHEET 張数	1 OF 1
	REV 版本	A1

AMP 1470-19 REV 31MAR2000

09SEP2003 9:36am FJ024691

H:\Drawing3.dwg