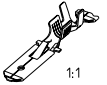
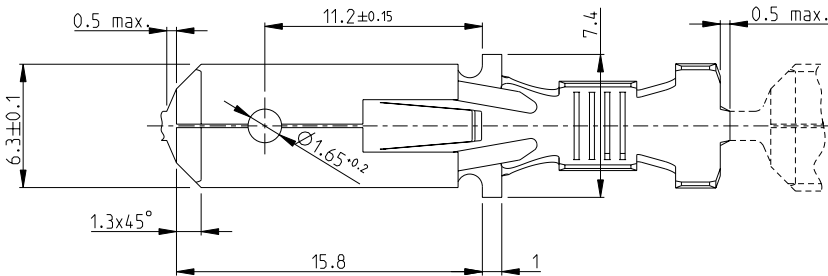
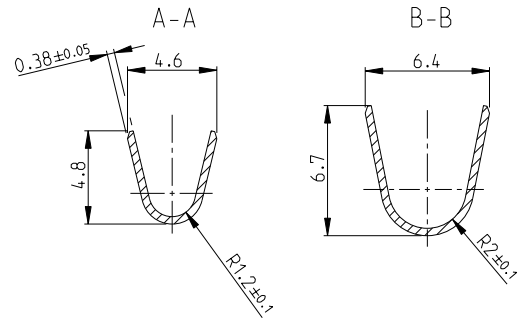
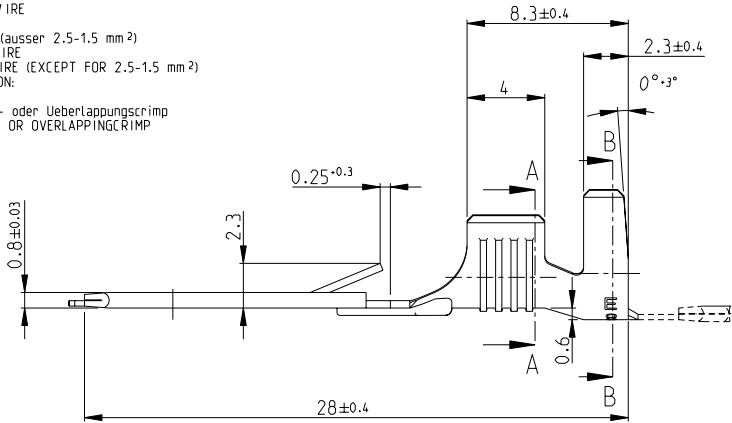


THIS DRAWING IS UNPUBLISHED. RELEASED FOR PUBLICATION 2006
 © COPYRIGHT 2006 ALL RIGHTS RESERVED.

LOC	DIST	REVISIONS				
P	LTR	DESCRIPTION	DATE	DNW	APVD	
E1		NEW CAD DRAWING CREATED	30NOV2006	Abr	Goep	
E2		ECR-10-026307	16JUN2011	KK	HMR	

Leitung / WIRE
 Einzelanschlag: FLK-Litze
 SINGLE CONNECTION: FLK-WIRE
 Doppelanschlag: FLR-Litze
 DOUBLE CONNECTION: FLR WIRE
 FLK Litze (ausser 2.5-1.5 mm²)
 FLK WIRE (EXCEPT FOR 2.5-1.5 mm²)
 Verarbeitung / APPLICATION:
 Leiter / WIRE: F-Crimp
 Isolation / INSULATION: F- oder Uebertappingscrimp
 F- OR OVERLAPPINGCRIMP



OBSELETE	928950-7	vorverzinkt / PRE TIN	CuZn30	-928949-7	E
OBSELETE	-928950-4	TIN (112-16-3) 2-10 µm	CuSn4	928949-4	E
	928950-3	blank / PLAIN	CuSn4	928949-3	E
	928950-2	verzinkt / TIN	CuZn30	928949-2	E
	928950-1	blank / PLAIN	CuZn30	928949-1	E
	LP NO.	FINISH	MATERIAL	PART NO.	REV.

Einzel- anschlag CONNECTION	Leitungsquerschnitt in mm ² CROSS SECTION IN mm ²						
	0.50	0.75	1.00	1.50	2.00	2.50	3.00
0.50							
1.00						X	
1.50			X	X		X	
2.50		X	X				
4.00	X						

Drahtgrößenbereich: >2.5-4.0 mm²
 WIRE RANGE: >2.5-4.0 mm²
 IsolationsØ: 3.3-4.5 mm
 INSULATIONØ: 3.3-4.5 mm

THIS DRAWING IS A CONTROLLED DOCUMENT.

DIMENSIONS:	TOLERANCES UNLESS OTHERWISE SPECIFIED:
mm	±0.2
ANGLES	±1°

DNW	H.Mayer	04.03.87
CHK	Herth	04.03.87
APVD		
PRODUCT SPEC		
APPLICATION SPEC		
WEIGHT	0.9 g	

STE TE Connectivity

6.3 Fastin -on Flachstecker
 6.3 FASTIN -ON TAB
 nach / ACCORDING DIN 46343

SIZE	CAGE CODE	DRAWING NO	RESTRICTED TO
A3	00779	©-928949	-

CUSTOMER DRAWING	SCALE	5:1	SHEET	1	OF	1	REV.	E2
------------------	-------	-----	-------	---	----	---	------	----

1470-19 (3/11)

Pro:ENGINEER DRAWING