

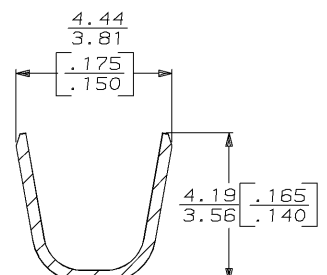
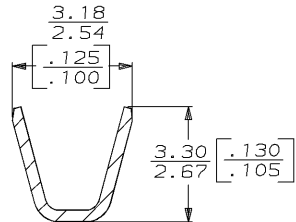
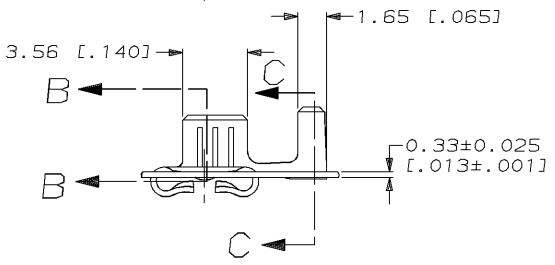
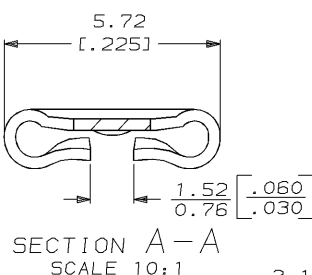
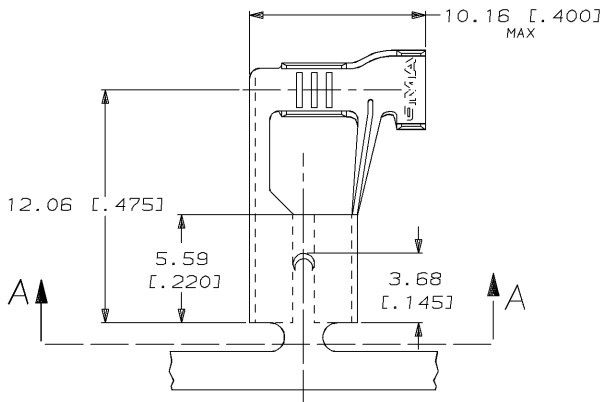
DRAWING MADE IN THIRD ANGLE PROJECTION

THIS DRAWING IS UNPUBLISHED. RELEASED FOR PUBLICATION, 19 .

© COPYRIGHT 19 BY AMP INCORPORATED. ALL INTERNATIONAL RIGHTS RESERVED.

LOC	DIST	P	F	ZONE	LTR	REVISIONS	DATE	APPD
AF	50				B	ADDED -2 PER 0710-0342-95	8/4/95	JR/PD

- 1 CONTINUOUS STRIP ON REELS.
- 2 ACCEPTS [#20-#16] AWG.
- 3 INSULATION RANGE 2.28-3.30 [.090-.130] DIA.



F OR O	WIDTH	STRIP LENGTH	TYPE	WIDTH	HEIGHT	WIRE
	3.56 [.140]	4.78 [.188]	F	2.29 [.090]	1.34 [.053] [#16]	
					1.17 [.046] [#18]	
					1.04 [.041] [#20]	
					±0.051 [.002]	
					±0.38 [.015]	

0.002032 [.000080] MIN TIN		0.81±0.025 [.032±.001]	63848-2
FINISH		MATING TAB THICKNESS	PART NO
DO NOT SCALE PRINT. UNLESS SPECIFIED DIMENSIONS ARE IN INCHES TOLERANCES ON: 1 PLG DEC ± 0.25 (.010) 2 ANGLES ± -		AMP Incorporated Harrisburg, PA 17105-3608	
MATERIAL H04 BRASS		NAME RECEPTACLE, FASTON, FLAG, 4.75 [.187] SERIES	
FINISH SEE TABLE		SIZE B	CAGE CODE 00779
APPLICATION SPEC 114-2079		DRAWING NO 63848	
WEIGHT -		SCALE 5:1	SHEET 1 OF 1

AMP 1470-15 REV 11-89 04-AUG-95 15:19:00 amp13469 /ws/dept2121/dwg2121/u.faston-ceb/u.187-fl

CUSTOMER DRAWING