

4

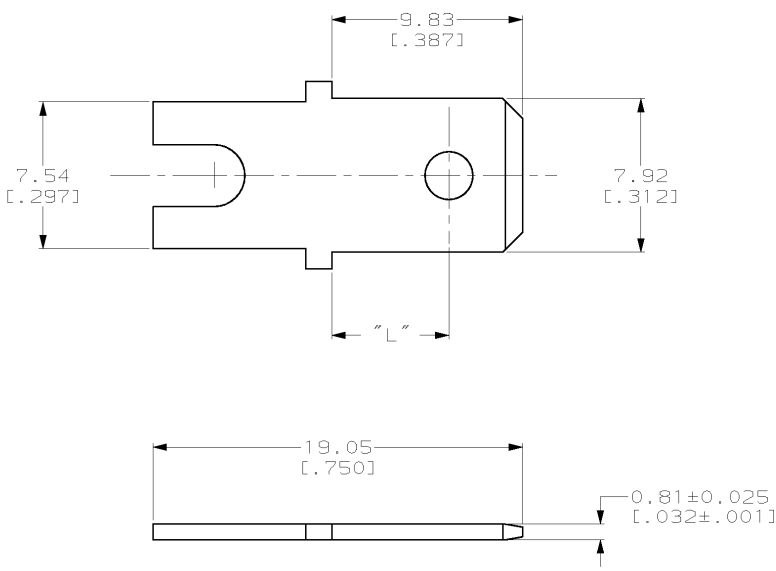
3

2

1

THIS DRAWING IS UNPUBLISHED. RELEASED FOR PUBLICATION .19
 © COPYRIGHT 19 BY AMP INCORPORATED. ALL RIGHTS RESERVED.

LOC	DIST	REVISIONS					
AF	50	P	LTR	DESCRIPTION	DATE	DWN	APVD
		E		REV PER 063A-0336-01	30MAY01	JR	ND



1 SUPPLIED IN LOOSE PIECE.

DIMPLE	6.04 [.238]	-	082 BRASS	63402-3
HOLE	4.98 [.196]	0.00127 [.000050] MIN NICKEL	T3 STEEL	63402-2
DIMPLE	6.04 [.238]	0.00127 [.000050] MIN NICKEL	T3 STEEL	63402-1
TYPE	DIM "L"	FINISH	MATERIAL	PART NO.
THIS DRAWING IS A CONTROLLED DOCUMENT.		DWN JR RUTH 5/13/98	AMP Incorporated Harrisburg, PA 17105-3608	
DIMENSIONS: MM (INCHES)		CHK MS FEHER 5/13/98	NAME J. WORMAN 5/13/98	
TOLERANCES UNLESS OTHERWISE SPECIFIED:		PRODUCT SPEC		
0 PLC ±-		APPLICATION SPEC		
1 PLC ±-		SIZE CAGE CODE DRAWING NO		
2 PLC ±0.25 [.010]		RESTRICTED TO		
3 PLC ±-		WEIGHT		
4 PLC ±-		A3 00779 C- 63402		
ANGLES ±-		CUSTOMER DRAWING		
MATERIAL	SEE TABLE	FINISH	SEE TABLE	SCALE 5:1 SHEET 1 OF 1 REV E