

4

3

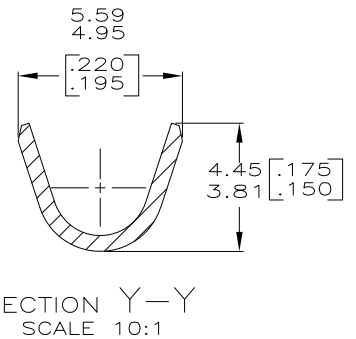
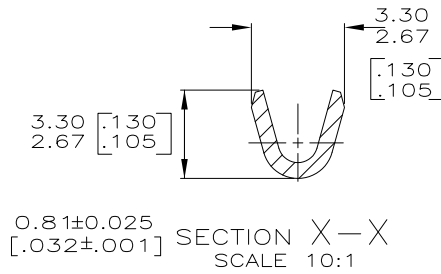
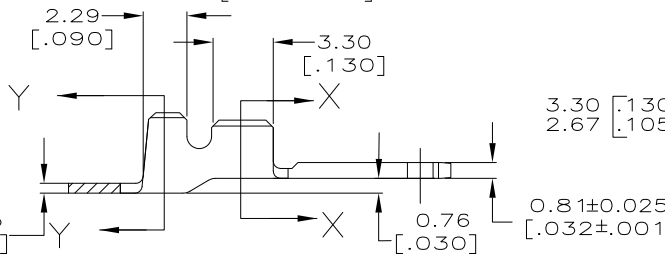
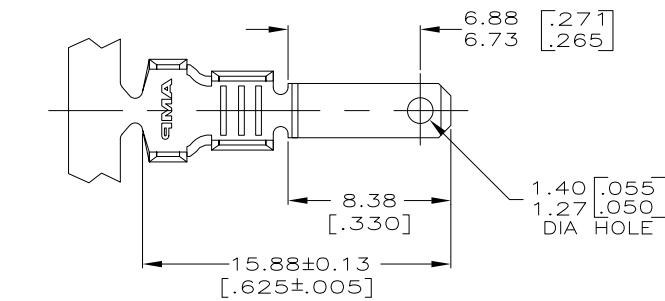
2

1

THIS DRAWING IS UNPUBLISHED. RELEASED FOR PUBLICATION
 © COPYRIGHT - BY TYCO ELECTRONICS CORPORATION. ALL INTERNATIONAL RIGHTS RESERVED.

LOC	DIST	REVISIONS				
P	LTR	DESCRIPTION	DATE	DWN	APVD	
AF	50	J	REVISED PER ECR-10-004058	09JUN10	HMR PD	

- CONTINUOUS STRIP ON REELS.
- WIRE SIZE IS [22-18] AWG.
- INSULATION RANGE IS 1.78-3.30 [.070-.130] DIA.



PLAIN	63138-2
TIN	63138-1
FINISH	PART NO

THIS DRAWING IS A CONTROLLED DOCUMENT.		DWN	JR RUTH	3/21/95	 Tyco Electronics Corporation Harrisburg, PA 17105-3608
DIMENSIONS: mm [INCHES]		CHK	MS FEHER	3/21/95	
TOLERANCES UNLESS OTHERWISE SPECIFIED:		APVD	J HUZVAR	3/21/95	
0 PLC ± - 1 PLC ± - 2 PLC ± 0.38 [.015] 3 PLC ± - 4 PLC ± - ANGLES ± -		NAME	TAB, FASTON™ 2.79 [.110] SERIES		
MATERIAL	082 PRE-MILLED BRASS	FINISH	SEE TABLE	WEIGHT	-
		SIZE	A3	CAGE CODE	00779
		DRAWING NO	C-63138		RESTRICTED TO
		CUSTOMER DRAWING		SCALE	5:1
		SHEET		1 OF 1	REV J