

4

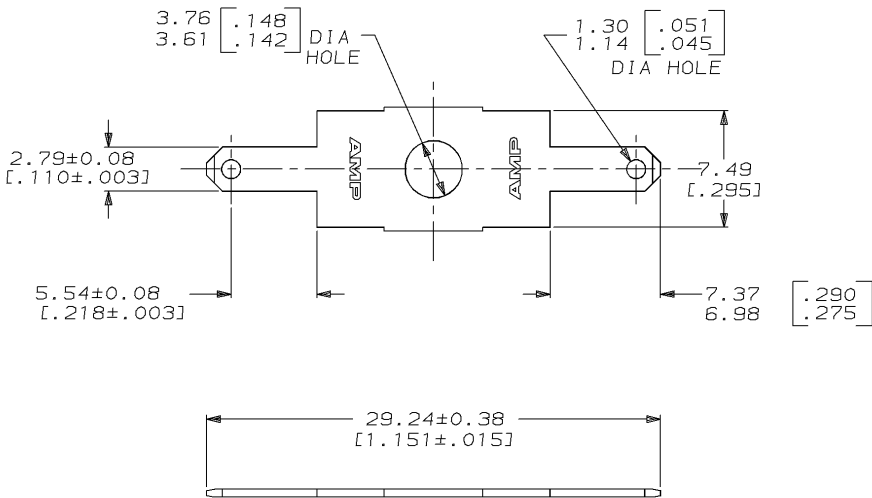
3

2

1

THIS DRAWING IS UNPUBLISHED. RELEASED FOR PUBLICATION
 © COPYRIGHT 19 BY AMP INCORPORATED. ALL RIGHTS RESERVED.

LOC	DIST	REVISIONS			
P	LTR	DESCRIPTION	DATE	DWN	APVD
AF	50				
		E REDRAWN PER 0L10-0039-96	8/6/96	JR	PD



1 SUPPLIED IN LOOSE PIECE.
 2 ELECTRICAL TEST TAB ONLY.

-		0.508±0.007 [0.020±.0003] BRASS	62628-2
0.002032 [0.000080] MIN TIN		0.508±0.012 [0.020±.0005] CR STEEL	62628-1
FINISH		MATERIAL	PART NO.
THIS DRAWING IS A CONTROLLED DOCUMENT.		DWN JR RUTH 8/6/96	AMP AMP Incorporated Harrisburg, PA 17105-3608
		CHK MS FEHER 8/6/96	
DIMENSIONS: MM [INCHES]		APVD P DESANTIS 8/6/96	NAME
TOLERANCES UNLESS OTHERWISE SPECIFIED:		PRODUCT SPEC	TAB, FASTON, 2.79 [0.110] SERIES
0 PLC ±-		APPLICATION SPEC	SIZE
1 PLC ±-			CAGE CODE
2 PLC ±0.25 (.010)			DRAWING NO
3 PLC ±-			A3 00779 -62628
4 PLC ±-			WEIGHT
ANGLES ±-			CUSTOMER DRAWING
MATERIAL SEE TABLE			SCALE 4:1 SHEET 1 OF 1 REV E

AMP 1470-19 REV 23FEB95

31-JUL-96 11:14:30 amp13469 /vs/dep12121/dwg2121/u.tbls