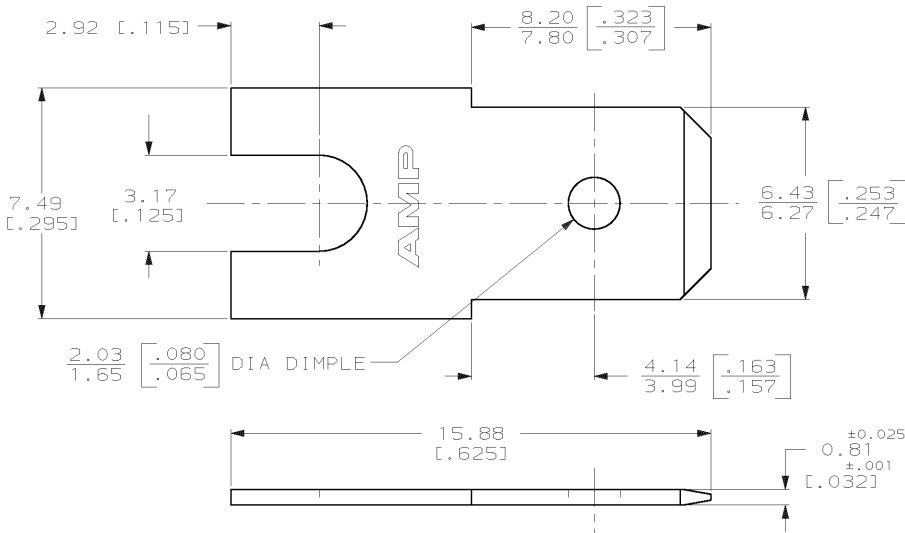


DRAWING MADE IN THIRD ANGLE PROJECTION

THIS DRAWING IS UNPUBLISHED. RELEASED FOR PUBLICATION, 19
 © COPYRIGHT 19 BY AMP INCORPORATED. ALL INTERNATIONAL RIGHTS RESERVED.

LOC	DIST	REVISIONS				
P	F	ZONE	LTR	DESCRIPTION	DATE	APPD
AF	50		G	REV PER OL10-0205-97	5/14/97	JR

1 SUPPLIED IN LOOSE PIECE



METRIC

T3 STEEL	60447-2	
082 BRASS	60447-1	
MATERIAL	PART NO	
AMP Incorporated Harrisburg, PA 17105-3608		
NAME		
TAB, FASTON, 6.35 [.250] SERIES		
SIZE	CAGE CODE	DRAWING NO
B	00779	60447
SCALE	8:1	SHEET
		1 OF 1

DO NOT SCALE PRINT. UNLESS SPECIFIED DIMENSIONS IN mm (INCHES) TOLERANCES ON: 2. PLC DEC ± 0.25 (.010) 3. PLC DEC ± - ANGLES ± -	DR 12/19/91 JR ROTH
MATERIAL	CHK 12/19/91 MS FEHER
SEE TABLE	APPD 12/19/91 C MEYERS
FINISH	APPD 12/19/91 D BEINER
	PRODUCT SPEC
	APPLICATION SPEC
	WEIGHT

AMP 1470-15 REV 11-89
 14-MAY-97 13:44:31 amp13469 / a4 / dep12121 / dsg121 / u / tabs

CUSTOMER DRAWING