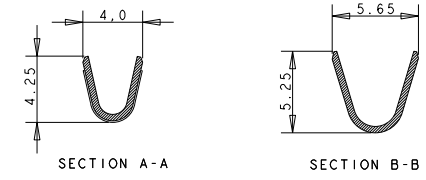
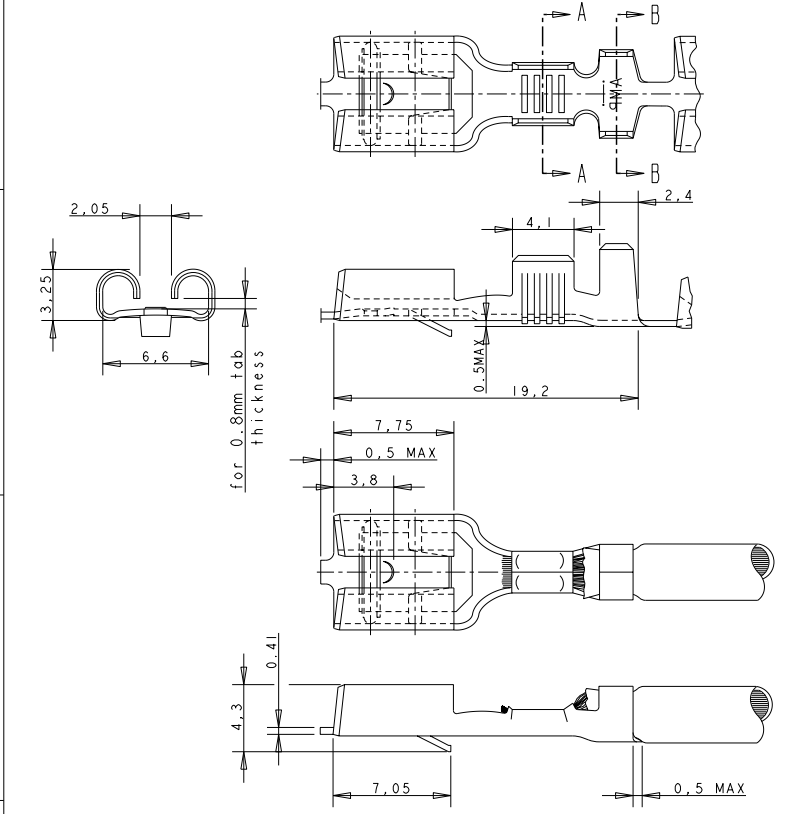


LOC	DIST	REVISIONS				
P	LTR	DESCRIPTION	DATE	DWN	APVD	
A1	-	H2 REVISED PER ECO-11-005294	21MAR2011	RK	HMR	

NOTES:  
 1 FOR USE ON MINIATURE APPLICATORS ( LEFT-RIGHT FEED ) AND STANDARD APPLICATORS ( RIGHT-LEFT FEED ).  
 2 FOR USE ON MINIATURE APPLICATORS (AMP-O-MATOR APPLICATION ). ( LEFT-RIGHT FEED ).  
 3 OBSOLETE PARTS: OBSOLETE CIS STREAMLINING PER D.RENAUD/D.SINISI



OBSOLETE	1	2	FINISH	MATERIAL	PART NUMBER
3	1		PRE-TINPLATED	PH.BRONZE	6-160446-8
	1		PRE-TINPLATED	BRASS	6-160446-7
	1	2	TINPLATED	PH.BRONZE	6-160446-6
	1	2	SILVERPLATED	PH.BRONZE	5-160446-8
	1	2	SILVERPLATED	BRASS	5-160446-6
	1		TINPLATED	BRASS	5-160446-5
	1		UNPLATED	BRASS	5-160446-4
	1		TINPLATED	PH.BRONZE	5-160446-2
	1		UNPLATED	PH.BRONZE	5-160446-1

THIS DRAWING IS A CONTROLLED DOCUMENT.

GENERAL TOLERANCES  $\pm 0.3$

WIRE RANGE : 1,0-2,5 mm<sup>2</sup>  
 INSULATION RANGE : 3,0-4,1mm DIA.

DIRECTION OFF TOP OF REEL  
 Terminal "U" down.

0 PLC  $\pm$   
 1 PLC  $\pm$   
 2 PLC  $\pm$   
 3 PLC  $\pm$   
 4 PLC  $\pm$   
 ANGLES  $\pm 1^\circ$

MATERIAL SEE TABLE FINISH SEE TABLE

21MAR1992  
 J.V.LIEMPT.  
 A. RIJNEN  
 L.V.SOEST

NAME .250 SRS FASTIN-ON RECEPTACLE

STE TE Connectivity

SIZE CAGE CODE DRAWING NO RESTRICTED TO  
 A3 00779 C-160446 -

CUSTOMER DRAWING SCALE 1:1 SHEET 1 OF 1 REV H2