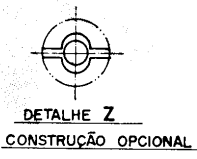
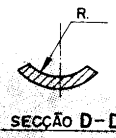
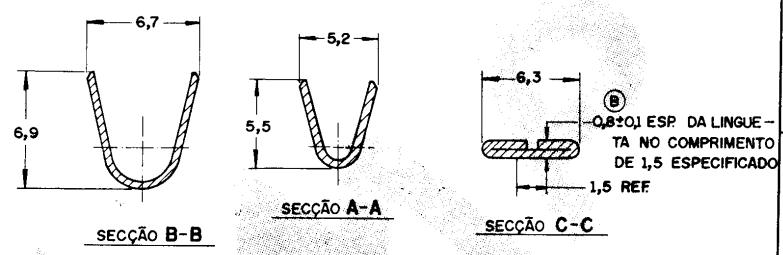
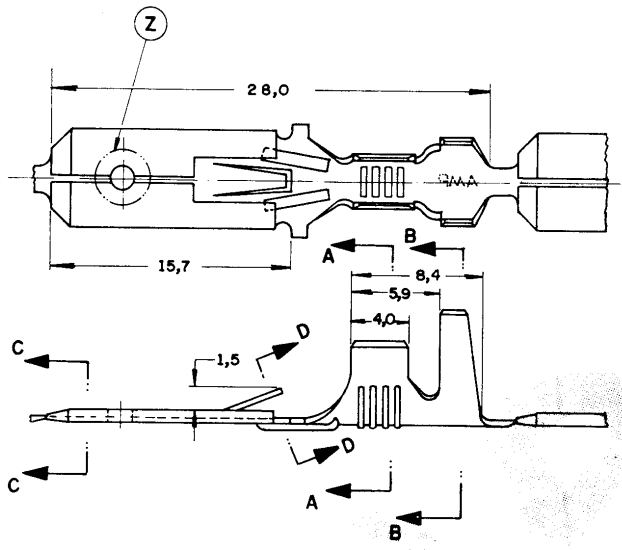


C444153

DO NOT SCALE
DIMENSIONS IN METRIC
3rd ANGLE PROJECTION



(A)	ESTANHADO	BRONZE FOSF	- 4
(A)	/	BRONZE FOSF	- 3
(A)	ESTANHADO	LATÃO	- 2
	/	LATÃO	4 4 4 1 5 3 - 1
OTHER TREATMENT		FINISH	MATERIAL
FINISH		MATERIAL	PART NUMBER
CUSTOMER DWG for REFERENCE ONLY			
<small>THIS DRAWING IS UNPUBLISHED. RELEASED FOR PUBLICATION IS BY AMP DO BRASIL LTDA S.P. ALL INTERNATIONAL RIGHTS RESERVED. AMP PRODUCTS MAY BE COVERED BY U.S. AND FOREIGN PATENTS AND/OR PATENT PENDING.</small>			
TOLERANCES UNLESS OTHERWISE STATED		INS. DIA. RANGE	WIRE RANGE
DEC. ± 0,3		3,2-4,3 mm	>4,0-6,0mm
ANGLES ± 1°		SCALE	2 4:1
DR 06-10-92		AMP AMP DO BRASIL LTDA. São Paulo, Brasil	
CHK. <i>J.R. F. L...</i>		DESCRIPTION	
B ERA 0,8 LB-026-94 Dori 77 4 Feb 94		.250 SERIES FASTIN-ON TAB	
A ADIC. TRACOS 2,3E4 06-93 M.R.B. 23 MAR 93		DWS NO	
O ERA P92-29205 Don 77 06-10-92		A3	
REV	REVISION RECORD	DR	CHK DATE
APP	24/01/92		
DWS NO		SHEET	
A3		C 4 4 4 1 5 3 1 of 1	