

4

3

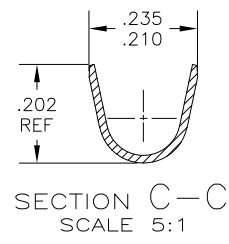
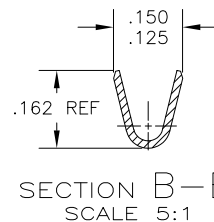
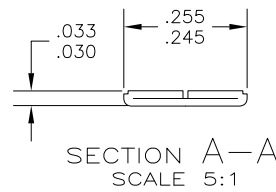
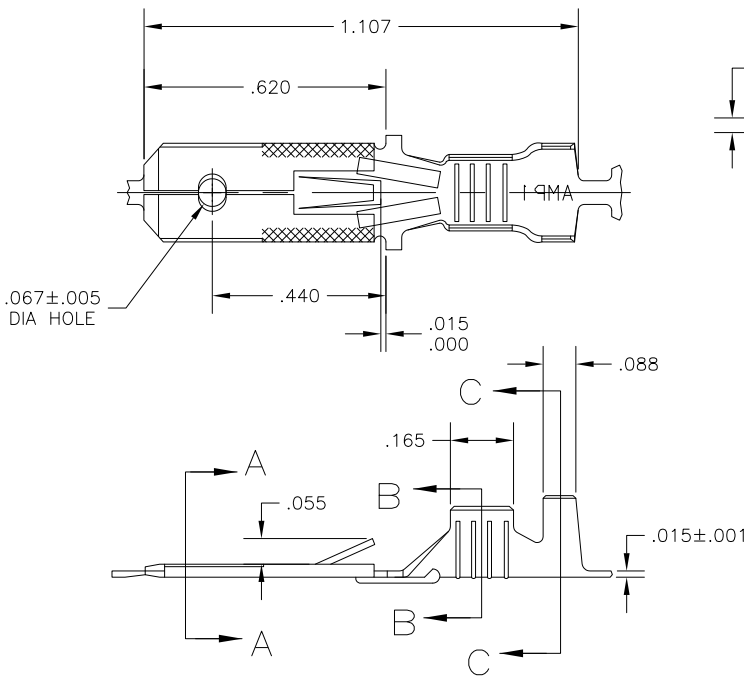
2

1

THIS DRAWING IS UNPUBLISHED. RELEASED FOR PUBLICATION  
 © COPYRIGHT - By - ALL RIGHTS RESERVED.

LOC	DIST	REVISIONS				
P	LTR	DESCRIPTION	DATE	DWN	APVD	
AF	50	REVISED PER ECR-11-018063	21DEC11	KH	PD	

- 1 CONTINUOUS STRIP ON REELS.
- 2 WIRE SIZE IS #18-#14.
- 3 INSULATION RANGE IS .100-.170 DIA.
- 4 FOREIGN PRODUCTION ONLY.
- 5 PREPRODUCTION - FASR REQUIRED.
- 6 PRELIMINARY - NOT FOR PRODUCTION.



NICKEL	#2H BRASS	6	42460-9
PRE-TIN	#2H BRASS	4 5	42460-8
<del>OBSOLETE SILVER .000120 MIN</del>	<del>#2H BRASS</del>		<del>42460-7</del>
-	#2H PHOS BRZ		42460-6
PRE-TIN	#2H BRASS		42460-5
<del>OBSOLETE TIN .000050 MIN</del>	<del>#2H PHOS BRZ</del>		<del>42460-4</del>
SILVER .000120 MIN			42460-3
TIN	#2H BRASS		42460-2
-			42460-1
FINISH	MATERIAL		PART NO

THIS DRAWING IS A CONTROLLED DOCUMENT.

DIMENSIONS: INCHES	TOLERANCES UNLESS OTHERWISE SPECIFIED:	DWN: JR RUTH 9/17/90	TE Connectivity TAB, FASTIN-FASTON, .250 SERIES					
	0 PLC ± -	CHK: MS FEHER 9/17/90			NAME: R KUZO			
	1 PLC ± -	APVD: R KUZO 9/17/90			PRODUCT SPEC: -			
	2 PLC ± -	APPLICATION SPEC: -			RESTRICTED TO: -			
MATERIAL: SEE TABLE	FINISH: SEE TABLE	WEIGHT: -	SIZE: A3	CAGE CODE: 00779	DRAWING NO: C-42460	SCALE: 4:1	SHEET: 1 OF 1	REV: AB

CUSTOMER DRAWING