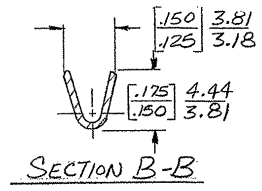
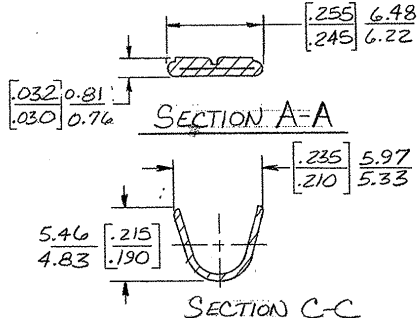
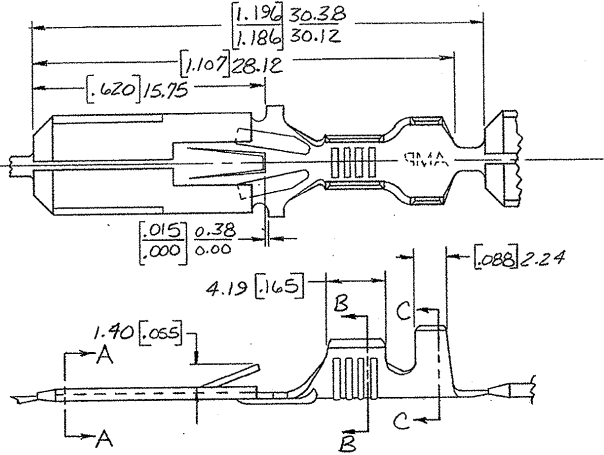


4  
DRAWING MADE IN THIRD ANGLE PROJECTION

3  
RELEASED FOR PUBLICATION  
ALL RIGHTS RESERVED.

2

P		ZONE	LTR	DESCRIPTION	DATE	APPROVED
		DG2		REVISED PER ECO-11-005140	01APR11	HMR



FINISH	MATERIAL	INSULATION RANGE	WIRE SIZE	PART NO
OBsolete	TIN	0.150	0.38 BRASS	1120-1160 3.05-4.06 18-14 0.8-2mm <sup>2</sup> 42098-8
OBsolete	TIN	0.150	0.38 PHOS. BRZ.	1120-1160 3.05-4.06 18-14 0.8-2mm <sup>2</sup> 42098-7
OBsolete	PRE-TIN	0.150	0.38 BRASS	1120-1160 3.05-4.06 18-14 0.8-2mm <sup>2</sup> 42098-6
OBsolete	NONE	0.150	0.38 PHOS. BRZ.	1120-1160 3.05-4.06 18-14 0.8-2mm <sup>2</sup> 42098-5
OBsolete	NICKEL	0.150	0.38 PHOS. BRZ.	1120-1160 3.05-4.06 18-14 0.8-2mm <sup>2</sup> 42098-4
	SILVER	0.150	0.38 BRASS	1120-1160 3.05-4.06 18-14 0.8-2mm <sup>2</sup> 42098-3
	PRE-TIN	0.150	0.38 BRASS	1120-1160 3.05-4.06 18-14 0.8-2mm <sup>2</sup> 42098-2
	NONE	0.150	0.38 BRASS	1120-1160 3.05-4.06 18-14 0.8-2mm <sup>2</sup> 42098-1

- 1 - DIM'S. IN BRACKETS ARE IN INCHES.
- 2 - CONTINUOUS STRIP ON REELS.
- △ - FOREIGN PRODUCTION ONLY
- △ - PAPER INTERLAY BETWEEN LAYERS
- △ - OBSOLETE PARTS: OBSOLETE CIS STREAMLINING PER D.RENAUD/D.SINISI

**METRIC**

UNLESS OTHERWISE SPECIFIED DIMENSIONS ARE IN INCHES. MAX TOLERANCES ON DECIMALS ±0.015		CONTRACT NO DR <i>VR Rott 2-25-83</i>		TE Connectivity <b>250 SERIES FASTIN-FASTON TAB</b>	
MATERIAL <i>PH</i>	CHK <i>G. G. G. 3-1-83</i>	APPR <i>J. J. J. 4/21/83</i>	APPR <i>J. J. J. 4/21/83</i>		
FINISH <i>PH</i>	OTHER APPD	SIZE <b>B</b>	FSCM NO <b>00779</b>	DRAWING NO <b>42098</b>	SHEET

CUSTOMER DRAWING