

4

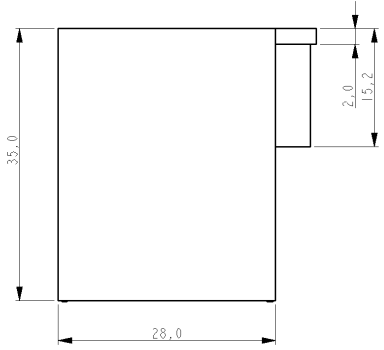
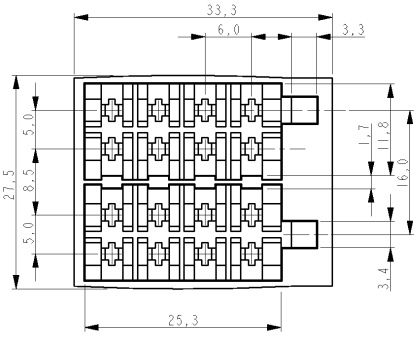
3

2

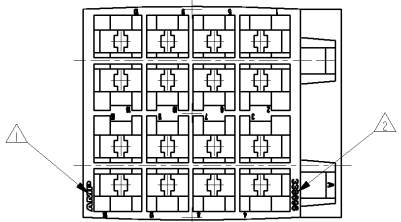
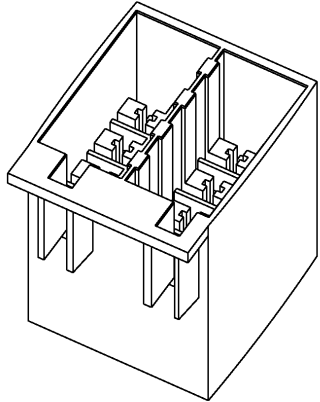
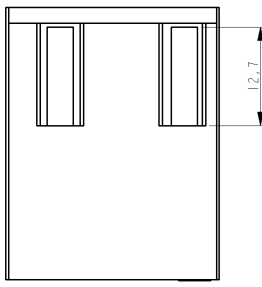
1

THIS DRAWING IS UNPUBLISHED. RELEASED FOR PUBLICATION
 © COPYRIGHT - BY TYCO ELECTRONICS CORPORATION. ALL RIGHTS RESERVED.

LOC	DIST	REVISIONS			
P	LTR	DESCRIPTION	DATE	DWN	APVD
A		EH00-0386-00	31MAR2000	DH	EL
B		ECR-09-021799	09OCT2009	DC	TdB



NOTES:
 1 AMP Trademark
 2 AMP Partnumber identification
 3 Applicable contacts:
 - p.n. 927892-1
 - p.n. 927893-1



ITEM NO.		DESCRIPTION		MATERIAL		PARTNUMBER	
1		2 x 8 POS ISO TAB HOUSING		PBT-GF30 BLACK		338696-1	
OWN		D. Halberstadt		Tyco Electronics		Tyco Electronics Corporation 's-Hertogenbosch, Nederland	
CHK				NAME		2x8 pos 2,8mm FASTIN-FASTON ISO TAB HOUSING	
APVD				PRODUCT SPEC			
APPLICATION SPEC				SIZE		DRAWING NO	
WEIGHT		A3		CAGE CODE		DRAWING NO	
CUSTOMER DRAWING		00779		C=338696		RESTRICTED TO	
SCALE		2:1		SHEET		OF	
REV		B					

AMP 1470-19 REV 31MAR2000