

4

3

2

1

THIS DRAWING IS UNPUBLISHED. RELEASED FOR PUBLICATION
 © COPYRIGHT - By - ALL RIGHTS RESERVED.


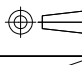
LOC	DIST	REVISIONS					
J	-	P	LTR	DESCRIPTION	DATE	DWN	APVD
		H3		REVISED PER ECO-11-005030	30MAR11	RK	HMR

△	OBSOLETE	215032-1	2-170823-9	SEE 7 OF 13
		246225	2-170823-8	SEE 2 OF 13
△	OBSOLETE	238035-3	2-170823-7	SEE 10 OF 13
	OBSOLETE	235818	2-170823-5	SEE 12 OF 13
		234018-4	2-170823-4	
	OBSOLETE	234025-1	2-170823-3	SEE 13 OF 13
	△	234030-1	2-170823-2	
	OBSOLETE	230032-1	2-170823-1	SEE 9 OF 13
		238035-2	2-170823-0	
		238035-1	1-170823-9	
△	OBSOLETE	238032-1	1-170823-8	SEE 10 OF 13
		238020-1	4-170823-7	
		238038	1-170823-6	
		238035	1-170823-5	
		235825-1	1-170823-4	
		235822	1-170823-3	SEE 12 OF 13
		234018-2	1-170823-2	
		234018-1	1-170823-1	
		234030	1-170823-0	SEE 13 OF 13
		234018	170823-9	
		234016	170823-8	
△	OBSOLETE	238060	1-170823-7	
		238048	170823-6	
		238032	170823-4	SEE 10 OF 13
		238020	170823-3	
		238025	170823-2	
		234025	170823-1	SEE 13 OF 13
		SHINAGAWA SHOKO PN	PN	REMARK

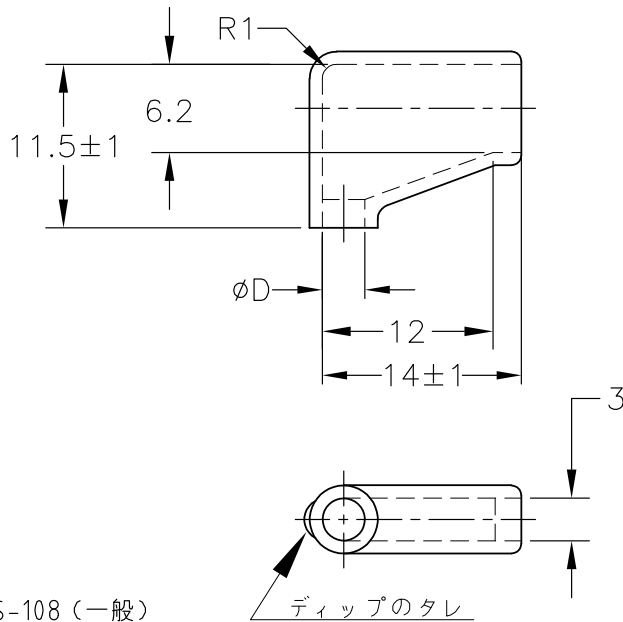
		24623204	5-170823-8	SEE 2 OF 13
		248550	5-170823-7	SEE 3 OF 13
		246230	5-170823-6	SEE 2 OF 13
		234025-4	5-170823-4	
	OBSOLETE	234028	5-170823-3	SEE 13 OF 13
	OBSOLETE	224222	5-170823-1	SEE 8 OF 13
△	OBSOLETE	246232-1	5-170823-0	SEE 2 OF 13
		238040	4-170823-9	
		238025-2	4-170823-8	SEE 10 OF 13
		238025-1	4-170823-7	
△	OBSOLETE	234025-3	4-170823-6	SEE 13 OF 13
		234025-2	4-170823-5	
		248525	4-170823-4	SEE 3 OF 13
△	OBSOLETE	215025W	4-170823-3	SEE 6 OF 13
		236525W	4-170823-2	SEE 5 OF 13
		236525	4-170823-1	SEE 11 OF 13
		234025W	4-170823-0	SEE 5 OF 13
		246232	3-170823-8	SEE 2 OF 13
		230025W	3-170823-7	SEE 4 OF 13
		238025W	3-170823-6	SEE 5 OF 13
		215028	3-170823-5	SEE 7 OF 13
		224228	3-170823-4	SEE 8 OF 13
△	OBSOLETE	215032W	3-170823-3	SEE 6 OF 13
		238032-3	3-170823-2	
		238032-2	3-170823-1	SEE 10 OF 13
		SHINAGAWA SHOKO PN	PN	REMARK

X-170892-X	SEE 170892
X-170893-X	SEE 170893
X-170887-X	SEE 170887
X-170889-X	SEE 170889
X-170888-X	SEE 170888
X-170890-X	SEE 170890
X-170891-X	SEE 170891
PN	REMARK

△ OBSOLETE PARTS: OBSOLETE CIS STREAMLINING PER D.RENAUD/D.SINISI

THIS DRAWING IS A CONTROLLED DOCUMENT.		DWN A. YAMAGUCHI 31AUG00	 TE Connectivity	
DIMENSIONS: 単位: 種 mm		CHK D. MATSUURA 31AUG00	NAME 名称	
		APVD K. BETSUI 31AUG00	INSULATION SLEEVE	
TOLERANCES UNLESS OTHERWISE SPECIFIED: 公差		PRODUCT SPEC 製品規格	SIZE A3	CAGE CODE 00779
0 PLC ± - 1 PLC ± - 2 PLC ± - 3 PLC ± - 4 PLC ± - ANGLES ± -		APPLICATION SPEC 取付適用規格	DRAWING NO 番号 C-170823	RESTRICTED TO -
MATERIAL 材料	FINISH 仕上	WEIGHT	CUSTOMER DRAWING	SCALE 尺度 1:1
			SHEET 1 of 13	REV H3

LOC	DIST	REVISIONS					
J	—	P	LTR	DESCRIPTION	DATE	DWN	APVD
			—	SEE SHEET 1	—	—	—



- 1. 材質：SS-108（一般）
- 2. 一般公差：±0.5
- 3. 適用製品規格は無し
- ⚠ 品川商工発行のカタログと本図で寸法が異なる場合は本図を優先する。
- 5. この製品の名称は旗型コネクタスリーブ187シリーズ

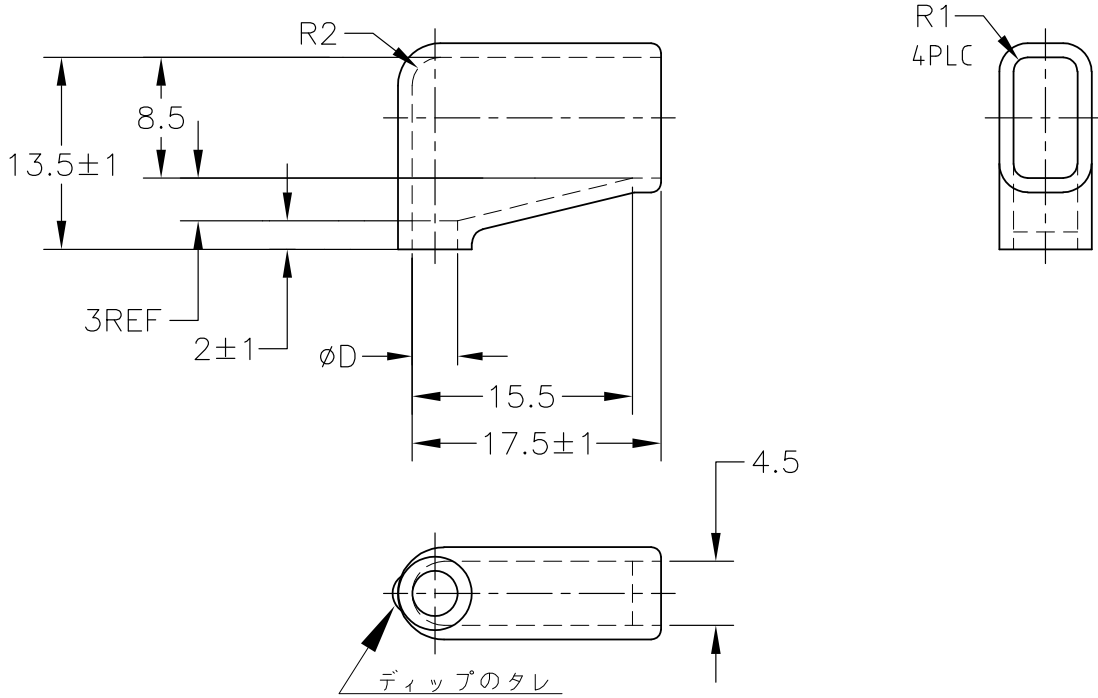
- 1. MATERIAL:SS-108(GENERAL)
- 2. GENERAL TOLERANCE: ±0.5
- 3. APPLICABLE PRODUCT SPEC NOT AVAILABLE
- ⚠ IN THE EVENT OF CONFLICT BETWEEN THE REQUIREMENTS OF THIS CUSTOMER DRAWING AND THE SHINAGAWA SHOKO CO LTD CATALOG THIS CUSTOMER DRAWING SHALL TAKE PRECEDENCE
- 5. THIS PRODUCT NAME FLAG TYPE CONNECT SLEEVE FOR 187 SERIES
- ⚠ OBSOLETE PARTS: OBSOLETE CIS STREAMLINING PER D.RENAUD/D.SINISI

 OBSOLETE	BLACK	$1^{+0.3}_{-0.2}$	3.2	24623204	5-170823-8
	CLEAR		3	246230	5-170823-6
			3.2	246232-1	5-170823-0
			3.2	246232	3-170823-8
			2.5	246225	2-170823-8
COLOR	THICKNESS	ø D	SHINAGAWA SHOKO PN	PART NUMBER	

THIS DRAWING IS UNPUBLISHED. ALL RIGHTS RESERVED.

DIMENSIONS: 単位：耗 mm	DWN	31AUG00	MATERIAL	FINISH		
	A. YAMAGUCHI		材料	仕上		
TOLERANCES UNLESS OTHERWISE SPECIFIED: 一般公差	CHK	31AUG00	TE Connectivity			
	D. MATSUURA					
0 PLC ± - 1 PLC ± - 2 PLC ± - 3 PLC ± - 4 PLC ± - ANGLES ± -	APVD	31AUG00	NAME 名称 INSULATION SLEEVE			
	K. BETSUI					
PRODUCT SPEC 製品規格 APPLICATION SPEC 取付適用規格	WEIGHT		SIZE	CAGE CODE	DRAWING NO	RESTRICTED TO
			A4	00779	番号 C-170823	—
CUSTOMER DRAWING			SCALE	SHEET	REV	
			尺度	2:1	2 OF 13	H3

LOC	DIST	REVISIONS					
J	—	P	LTR	DESCRIPTION	DATE	DWN	APVD
				SEE SHEET 1			



- 1. 材質：SS-108（一般）
- 2. 一般公差：±0.5
- 3. 適用製品規格は無し
- △4 品川商工発行のカタログと本図で寸法が異なる場合は本図を優先する。
- 5. この製品の名称は旗型コネクタスリーブ250シリーズ

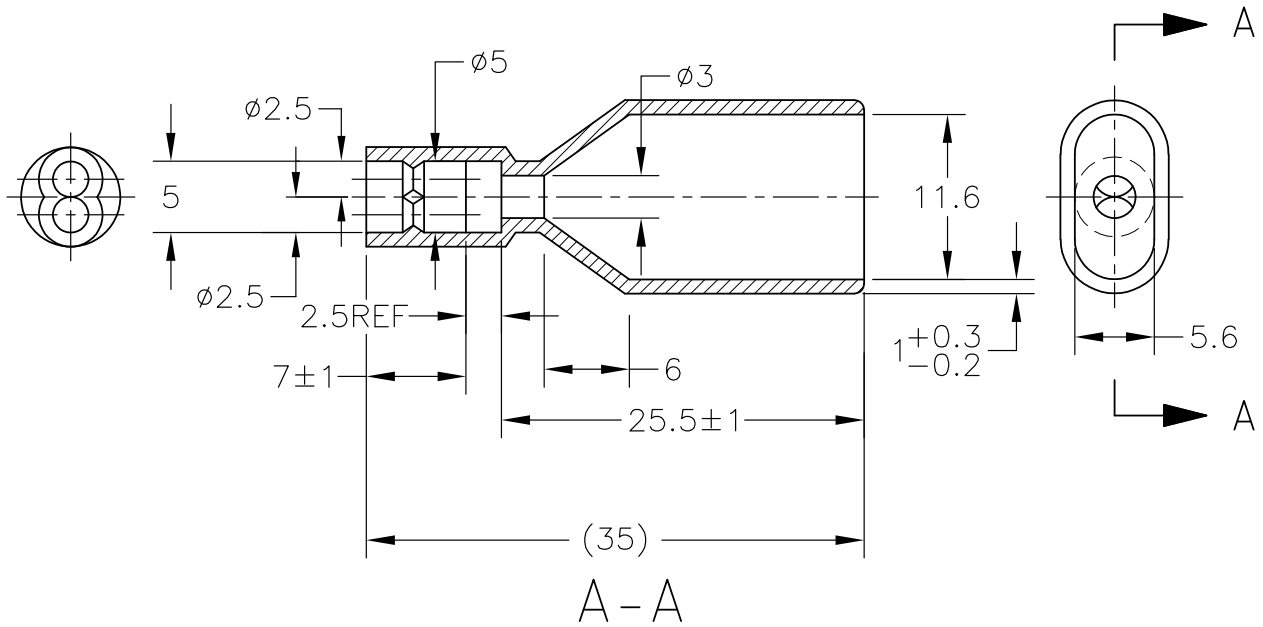
- 1. MATERIAL:SS-108(GENERAL)
- 2. GENERAL TOLERANCE : ±0.5
- 3. APPLICABLE PRODUCT SPEC NOT AVAILABLE
- △4 IN THE EVENT OF CONFLICT BETWEEN THE REQUIREMENTS OF THIS CUSTOMER DRAWING AND THE SHINAGAWA SHOKO CO LTD CATALOG THIS CUSTOMER DRAWING SHALL TAKE PRECEDENCE
- 5. THIS PRODUCT NAME FLAG TYPE CONNECT SLEEVE FOR 250 SERIES
- △6 OBSOLETE PARTS: OBSOLETE CIS STREAMLINING PER D.RENAUD/D.SINISI

△6	OBSOLETE	CLEAR	1±0.3	5	248550	5-170823-7
	OBSOLETE			2.5	248525	4-170823-4
	COLOR	THICKNESS	φ D	△ SHINAGAWA SHOKO PN	PART NUMBER	

THIS DRAWING IS UNPUBLISHED. ALL RIGHTS RESERVED.

DIMENSIONS: 単位： 耗 mm	DWN	31AUG00	MATERIAL	FINISH		
	A. YAMAGUCHI		材料	仕上		
TOLERANCES UNLESS OTHERWISE SPECIFIED: 一般公差	CHK	31AUG00	TE Connectivity			
	D. MATSUURA					
0 PLC ± - 1 PLC ± - 2 PLC ± - 3 PLC ± - 4 PLC ± - ANGLES ± -	APVD	31AUG00	NAME			
	K. BETSUI		名称			
PRODUCT SPEC 製品規格 APPLICATION SPEC 取付適用規格	WEIGHT		SIZE	CAGE CODE	DRAWING NO	RESTRICTED TO
			A4	00779	C-170823	—
CUSTOMER DRAWING			SCALE	SHEET	REV	
			尺度	2:1	3 OF 13	H3

LOC	DIST	REVISIONS 変更					
J	—	P	LTR	DESCRIPTION	DATE	DWN	APVD
			—	SEE SHEET 1	—	—	—



1. 材質：SS-108（一般）
2. 一般公差：±0.5
3. 適用製品規格は無し
4. 品川商工発行のカタログと本図で寸法が異なる場合は本図を優先する。
5. この製品の名称はコネクタスリーブAMP00シリーズ

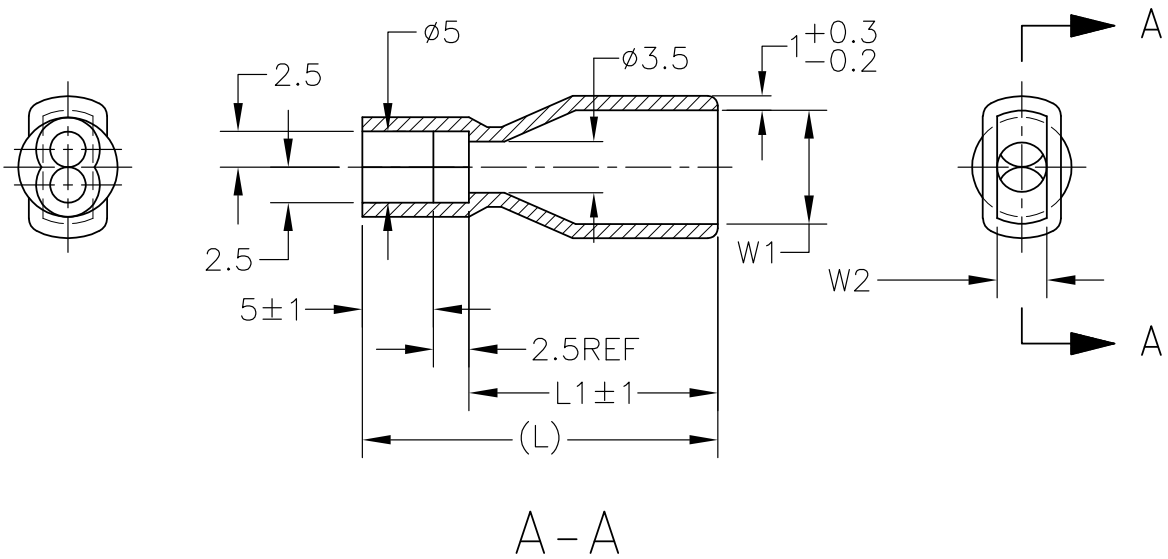
1. MATERIAL:SS-108(GENERAL)
2. GENERAL TOLERANCE: ±0.5
3. APPLICABLE PRODUCT SPEC NOT AVAILABLE
4. IN THE EVENT OF CONFLICT BETWEEN THE REQUIREMENTS OF THIS CUSTOMER DRAWING AND THE SHINAGAWA SHOKO CO LTD CATALOG THIS CUSTOMER DRAWING SHALL TAKE PRECEDENCE
5. THIS PRODUCT NAME FLAG TYPE CONNECT SLEEVE AMP00 SERIES

THIS DRAWING IS UNPUBLISHED. ALL RIGHTS RESERVED.

OBSELETE	CLEAR	230025W	3-170823-7
	COLOR	△ SHINAGAWA SHOKO PN	PART NUMBER

DIMENSIONS: 単位： 耗 mm	DWN	31AUG00	MATERIAL	FINISH		
	A. YAMAGUCHI		材料	仕上		
TOLERANCES UNLESS OTHERWISE SPECIFIED: 一般公差	CHK	31AUG00	TE Connectivity			
	D. MATSUURA					
0 PLC ± - 1 PLC ± - 2 PLC ± - 3 PLC ± - 4 PLC ± - ANGLES ± -	APVD	31AUG00	NAME 名称 INSULATION SLEEVE			
	K. BETSUI					
	PRODUCT SPEC		SIZE	CAGE CODE	DRAWING NO	RESTRICTED TO
	製品規格		A4	00779	C-170823	—
	APPLICATION SPEC		SCALE		SHEET	REV
	取付適用規格		尺度		4 OF 13	H3
	WEIGHT		CUSTOMER DRAWING			

LOC	DIST	REVISIONS					
J	—	P	LTR	DESCRIPTION	DATE	DWN	APVD
			—	SEE SHEET 1	—	—	—



1. 材質：SS-108（一般）
2. 一般公差：±0.5
3. 適用製品規格は無し
- △ 品川商工発行のカタログと本図で寸法が異なる場合は本図を優先する。
5. この製品の名称はコネクタスリーブAMP00シリーズ

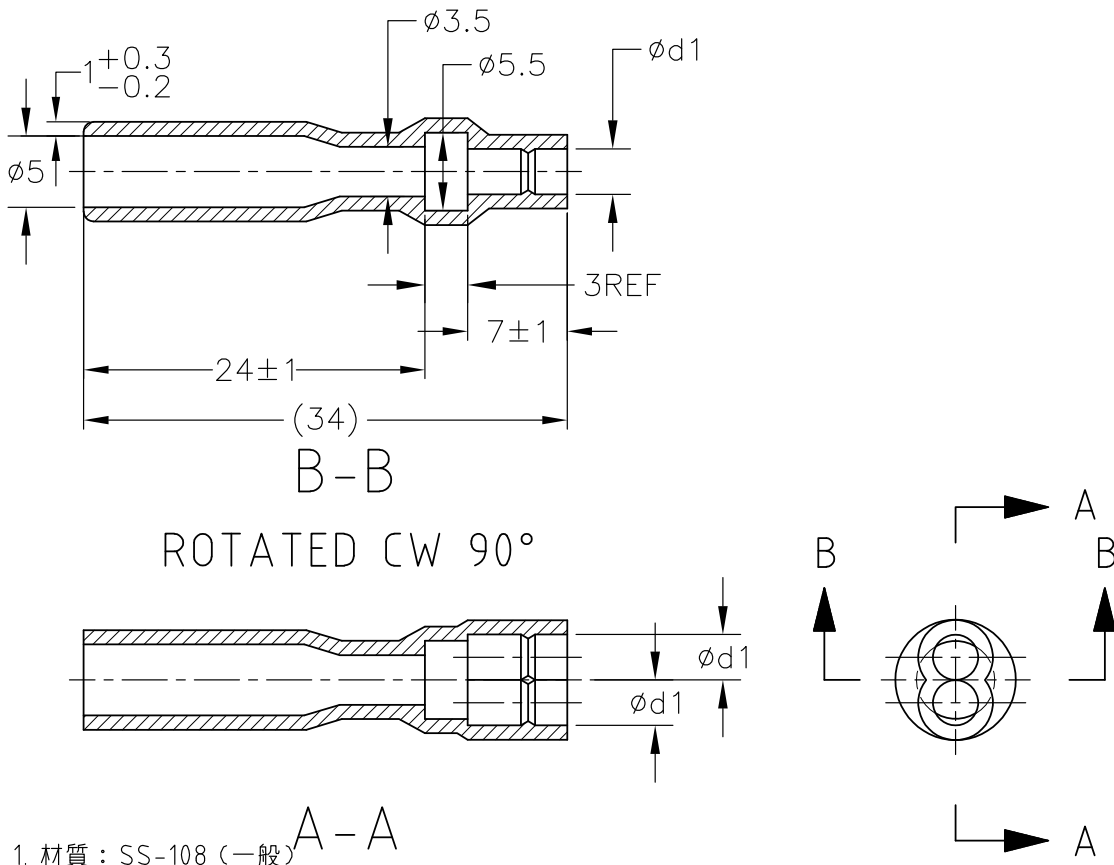
1. MATERIAL:SS-108(GENERAL)
2. GENERAL TOLERANCE: ±0.5
3. APPLICABLE PRODUCT SPEC NOT AVAILABLE
- △ IN THE EVENT OF CONFLICT BETWEEN THE REQUIREMENTS OF THIS CUSTOMER DRAWING AND THE SHINAGAWA SHOKO CO LTD CATALOG THIS CUSTOMER DRAWING SHALL TAKE PRECEDENCE
5. THIS PRODUCT NAME FLAG TYPE CONNECT SLEEVE AMP00 SERIES

OBSOLETE	CLEAR	23	15.5	3	6.5	236525W	4-170823-2
OBSOLETE		21	13.5		4	234025W	4-170823-0
OBSOLETE		25	17.5	3.5	8	238025W	3-170823-6
	COLOR	L	L1	W2	W1	△ SHINAGAWA SHOKO PN	PART NUMBER

THIS DRAWING IS UNPUBLISHED. ALL RIGHTS RESERVED.

DIMENSIONS: 単位： 耗 mm	DWN	31AUG00	MATERIAL	FINISH
	A. YAMAGUCHI		材料	仕上
TOLERANCES UNLESS OTHERWISE SPECIFIED: 一般公差	CHK	31AUG00	TE Connectivity	
	D. MATSUURA			
0 PLC ± - 1 PLC ± - 2 PLC ± - 3 PLC ± - 4 PLC ± - ANGLES ± -	APVD	31AUG00	NAME	
	K. BETSUI		名称	
	PRODUCT SPEC		INSULATION SLEEVE	
	APPLICATION SPEC		SIZE	CAGE CODE
	取付適用規格		A4	00779
	WEIGHT		DRAWING NO	RESTRICTED TO
			番号	—
			C-170823	
	CUSTOMER DRAWING		SCALE	SHEET
			尺度	2:1
			REV	H3
			5 OF 13	

LOC	DIST	REVISIONS					
J	—	P	LTR	DESCRIPTION	DATE	DWN	APVD
				変更			
				SEE SHEET 1			



- 1. 材質：SS-108 (一般)
- 2. 一般公差：±0.5
- 3. 適用製品規格は無し
- ⚠ 品川商工発行のカタログと本図で寸法が異なる場合は本図を優先する。
- 5. この製品の名称はコネクタスリーブ 5DIAシリーズシュワープラグ リセプタクル

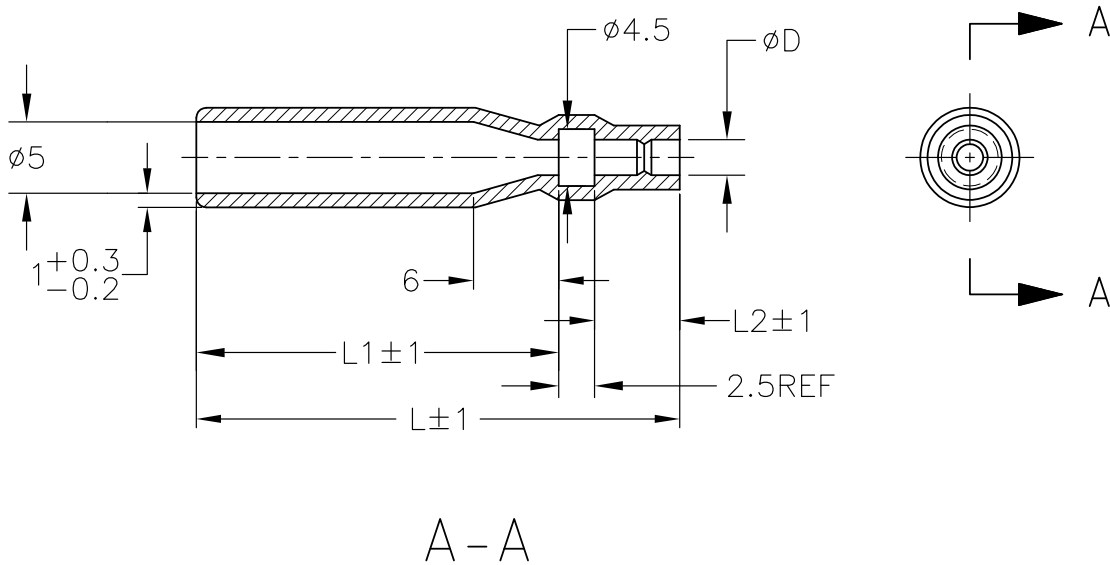
- 1. MATERIAL:SS-108(GENERAL)
- 2. GENERAL TOLERANCE: ±0.5
- 3. APPLICABLE PRODUCT SPEC NOT AVAILABLE
- ⚠ IN THE EVENT OF CONFLICT BETWEEN THE REQUIREMENTS OF THIS CUSTOMER DRAWING AND THE SHINAGAWA SHOKO CO LTD CATALOG THIS CUSTOMER DRAWING SHALL TAKE PRECEDENCE
- 5. THIS PRODUCT NAME : CONNECT SLEEVE 5DIA SERIES SHUR PLUG RECEPTACLE
- ⚠ OBSOLETE PARTS: OBSOLETE CIS STREAMLINING PER D.RENAUD/D.SINISI

⚠ OBSOLETE	CLEAR	2.5	215025W	4-170823-3
		3.2	215032W	3-170823-3
	COLOR	ø d1	⚠ SHINAGAWA SHOKO PN	PART NUMBER

THIS DRAWING IS UNPUBLISHED. ALL RIGHTS RESERVED.

DIMENSIONS: 単位： 耗 mm	DWN	31AUG00	MATERIAL	FINISH		
	A. YAMAGUCHI		材料	仕上		
TOLERANCES UNLESS OTHERWISE SPECIFIED: 一般公差	CHK	31AUG00	TE Connectivity			
	D. MATSUURA					
0 PLC ± - 1 PLC ± - 2 PLC ± - 3 PLC ± - 4 PLC ± - ANGLES ± -	APVD	31AUG00	NAME 名称 INSULATION SLEEVE			
	K. BETSUI					
PRODUCT SPEC 製品規格 APPLICATION SPEC 取付適用規格	WEIGHT		SIZE	CAGE CODE	DRAWING NO	RESTRICTED TO
			A4	00779	Ⓒ-170823	—
CUSTOMER DRAWING			SCALE	SHEET	REV	
			尺度	2:1	6 OF 13	H3

LOC	DIST	REVISIONS 変更					
J	—	P	LTR	DESCRIPTION	DATE	DWN	APVD
			—	SEE SHEET 1	—	—	—



1. 材質：SS-108（一般）
2. 一般公差：±0.5
3. 適用製品規格は無し
- △4 品川商工発行のカタログと本図で寸法が異なる場合は本図を優先する。
5. この製品の名称はコネクタスリーブ 5DIA シリーズ シュフープラグリセプタクル

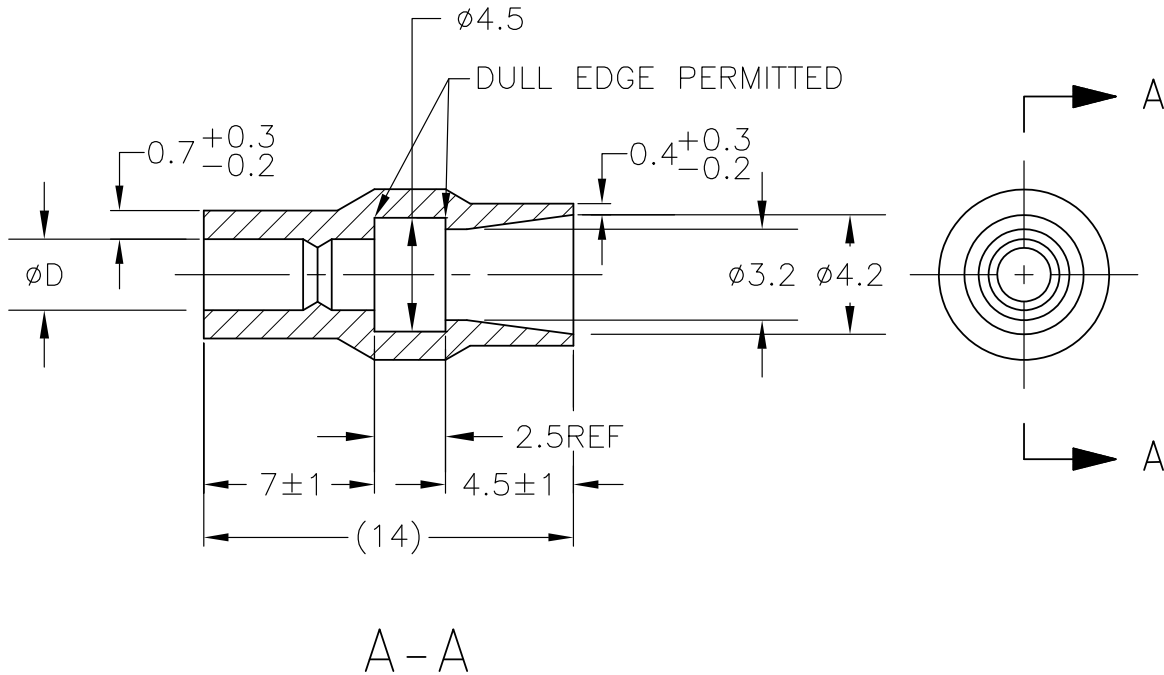
1. MATERIAL:SS-108(GENERAL)
2. GENERAL TOLERANCE: ±0.5
3. APPLICABLE PRODUCT SPEC NOT AVAILABLE
- △4 IN THE EVENT OF CONFLICT BETWEEN THE REQUIREMENTS OF THIS CUSTOMER DRAWING AND THE SHINAGAWA SHOKO CO LTD CATALOG THIS CUSTOMER DRAWING SHALL TAKE PRECEDENCE
5. THIS PRODUCT NAME FLAG TYPE CONNECT SLEEVE 5DIA SERIES SHUR PLUG RECEPTACLE
- △6 OBSOLETE PARTS: OBSOLETE CIS STREAMLINING PER D.RENAUD/D.SINISI

△6 OBSOLETE	CLEAR	33	6	24.5	2.8	215028	3-170823-5
		47	7	37.5	3.2	215032-1	2-170823-9
	COLOR	L	L2	L1	φD	△ SHINAGAWA SHOKO PN	PART NUMBER

THIS DRAWING IS UNPUBLISHED. BY - COPYRIGHT - ALL RIGHTS RESERVED.

DIMENSIONS: 単位：耗 mm	DWN	31AUG00	MATERIAL	FINISH
	A. YAMAGUCHI		材料	仕上
TOLERANCES UNLESS OTHERWISE SPECIFIED: 一般公差	CHK	31AUG00	TE Connectivity	
	D. MATSUURA			
0 PLC ± - 1 PLC ± - 2 PLC ± - 3 PLC ± - 4 PLC ± - ANGLES ± -	APVD	31AUG00	NAME	
	K. BETSUI		名称	
	PRODUCT SPEC		INSULATION SLEEVE	
	APPLICATION SPEC		SIZE	CAGE CODE
	取付適用規格		A4	00779
	WEIGHT		DRAWING NO	RESTRICTED TO
			番号	—
			C-170823	
	CUSTOMER DRAWING		SCALE	SHEET
			尺度	7 OF 13
			2:1	REV
				H3

LOC	DIST	REVISIONS					
J	—	P	LTR	DESCRIPTION	DATE	DWN	APVD
				変更			
				SEE SHEET 1			



1. 材質：SS-108（一般）
2. 一般公差：±0.5
3. 適用製品規格は無し
- △4 品川商工発行のカタログと本図で寸法が異なる場合は本図を優先する。
5. この製品の名称はコネクタスリーブ 5DIAシリーズシュワープラグ

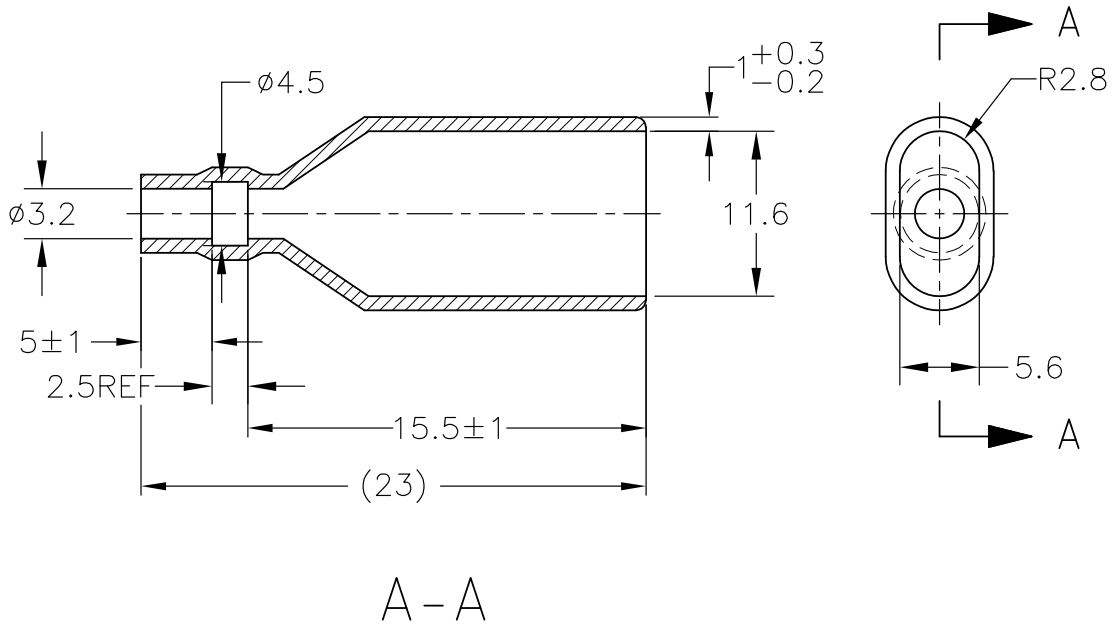
1. MATERIAL:SS-108(GENERAL)
2. GENERAL TOLERANCE: ±0.5
3. APPLICABLE PRODUCT SPEC NOT AVAILABLE
- △4 IN THE EVENT OF CONFLICT BETWEEN THE REQUIREMENTS OF THIS CUSTOMER DRAWING AND THE SHINAGAWA SHOKO CO LTD CATALOG THIS CUSTOMER DRAWING SHALL TAKE PRECEDENCE
5. THIS PRODUCT NAME CONNECT SLEEVE 5DIA SERIES SHUR PLUG
- △6 OBSOLETE PARTS: OBSOLETE CIS STREAMLINING PER D.RENAUD/D.SINISI

△6	OBSOLETE	CLEAR	2.2	224222	5-170823-1
	OBSOLETE		2.8	224228	3-170823-4
		COLOR	φ D	△ SHINAGAWA SHOKO PN	PART NUMBER

THIS DRAWING IS UNPUBLISHED. BY - COPYRIGHT - ALL RIGHTS RESERVED.

DIMENSIONS: 単位： 耗 mm		DWN A. YAMAGUCHI 31AUG00	MATERIAL 材料	FINISH 仕上
TOLERANCES UNLESS OTHERWISE SPECIFIED: 一般公差		CHK D. MATSUURA 31AUG00	TE Connectivity	
0 PLC ± - 1 PLC ± - 2 PLC ± - 3 PLC ± - 4 PLC ± - ANGLES ± -		APVD K. BETSUI 31AUG00		
PRODUCT SPEC 製品規格		NAME 名称 INSULATION SLEEVE		
APPLICATION SPEC 取付適用規格		SIZE A4	CAGE CODE 00779	DRAWING NO 番号 C-170823
WEIGHT		RESTRICTED TO -		
		CUSTOMER DRAWING		
		SCALE 尺度	4:1	SHEET 8 OF 13
				REV H3

LOC	DIST	REVISIONS 変更					
J	—	P	LTR	DESCRIPTION	DATE	DWN	APVD
			—	SEE SHEET 1	—	—	—



- 1. 材質：SS-108（一般）
- 2. 一般公差：±0.5
- 3. 適用製品規格は無し
- ⚠ 品川商工発行のカタログと本図で寸法が異なる場合は本図を優先する。
- 5. この製品の名称はコネクタスリーブ AMP00シリーズ
- 1. MATERIAL:SS-108(GENERAL)
- 2. GENERAL TOLERANCE: ±0.5
- 3. APPLICABLE PRODUCT SPEC NOT AVAILABLE
- ⚠ IN THE EVENT OF CONFLICT BETWEEN THE REQUIREMENTS OF THIS CUSTOMER DRAWING AND THE SHINAGAWA SHOKO CO LTD CATALOG THIS CUSTOMER DRAWING SHALL TAKE PRECEDENCE
- 5. THIS PRODUCT NAME FLAG TYPE CONNECT SLEEVE AMP00 SERIES
- ⚠ OBSOLETE PARTS: OBSOLETE CIS STREAMLINING PER D.RENAUD/D.SINISI

⚠ OBSOLETE	CLEAR	230032-1	2-170823-1
	COLOR	⚠ SHINAGAWA SHOKO PN	PART NUMBER

THIS DRAWING IS UNPUBLISHED. ALL RIGHTS RESERVED.

DIMENSIONS: 単位： 耗 mm	DWN	31AUG00	MATERIAL	FINISH			
	A. YAMAGUCHI		材料	仕上			
TOLERANCES UNLESS OTHERWISE SPECIFIED: 一般公差	CHK	31AUG00	TE Connectivity				
	D. MATSUURA						
0 PLC ± - 1 PLC ± - 2 PLC ± - 3 PLC ± - 4 PLC ± - ANGLES ± -	APVD	31AUG00	NAME 名称 INSULATION SLEEVE				
	K. BETSUI						
	PRODUCT SPEC		SIZE	CAGE CODE	DRAWING NO	RESTRICTED TO	
	製品規格		A4	00779	Ⓒ-170823	—	
	APPLICATION SPEC		CUSTOMER DRAWING		SCALE	SHEET	REV
	取付適用規格				尺度	2:1	9 OF 13
	WEIGHT						H3

4

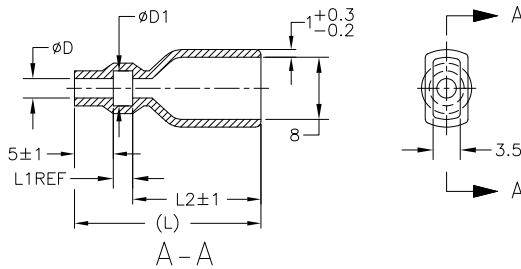
3

2

1

THIS DRAWING IS UNPUBLISHED. RELEASED FOR PUBLICATION
 © COPYRIGHT - By - ALL RIGHTS RESERVED.

LOC	DIST	REVISIONS					
		P	LTR	DESCRIPTION	DATE	DWN	APVD
J	-	-	-	SEE SHEET 1	-	-	-



1. 材質：SS-108（一般）
 2. 一般公差：±0.5
 3. 適用製品規格は無し
- △ 品川商工発行のカタログと本図で寸法が異なる場合は本図を優先する。
1. MATERIAL:SS-108(GENERAL)
 2. GENERAL TOLERANCE: ±0.5
 3. APPLICABLE PRODUCT SPEC NOT AVAILABLE
- △ IN THE EVENT OF CONFLICT BETWEEN THE REQUIREMENTS OF THIS CUSTOMER DRAWING AND THE SHINAGAWA SHOKO CO LTD CATALOG THIS CUSTOMER DRAWING SHALL TAKE PRECEDENCE
- △ OBSOLETE PARTS: OBSOLETE CIS STREAMLINING PER D.RENAUD/D.SINISI

OBSOLETE	COLOR	L	L2	L1	φ D1	φ D	SHINAGAWA SHOKO PN	PART NUMBER
OBSOLETE	YELLOW	24	16.5	2.5	4.5	2.5	238025-2	4-170823-8
OBSOLETE	RED	25	17.5	3	5	4	238025-1	4-170823-7
OBSOLETE	CLEAR	25	17.5	3	5	4	238040	4-170823-9
OBSOLETE	BROWN	24.5	17.0	2.5	4.7	3.2	238032-3	3-170823-2
OBSOLETE	BLUE	24.5	17.0	2.5	4.7	3.2	238032-2	3-170823-1
△ OBSOLETE	CLEAR	16.5				3.5	238035-3	2-170823-7
		40.5	32.5	3	4.5	3.5	238035-2	2-170823-0
		35.5	27.5			3.5	238035-1	1-170823-9
		27	19.5	2.5	4.7	3.2	238032-1	1-170823-8
△ OBSOLETE		45	37.5	3	3.2	2	238020-1	4-170823-7
		25	17.5	2.5	5.3	3.8	238038	1-170823-6
△ OBSOLETE		24	16.0	3	4.5	3.5	238035	1-170823-5
		27	19.5		7.5	6	238060	4-170823-7
		25	17.5	2.5	6.3	4.8	238048	170823-6
		16.5			4.7	3.2	238032	170823-4
	24	16.0	3	3.2	2	238020	170823-3	
			3	4.5	2.5	238025	170823-2	

THIS DRAWING IS A CONTROLLED DOCUMENT.

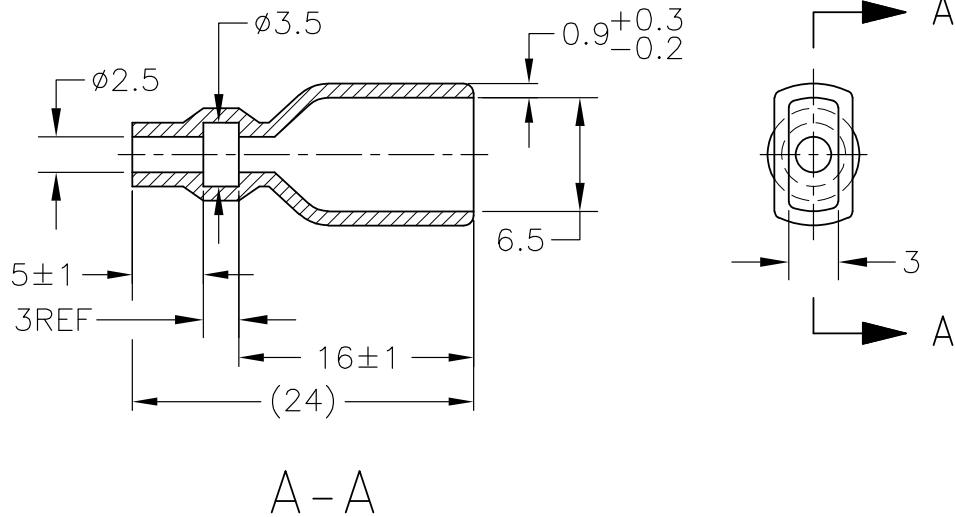
DWN: A. YAMAGUCHI 31AUG00
 CHK: D. MATSUURA 31AUG02
 APVD: K. BETSUI 31AUG02

STE TE Connectivity

INSULATION SLEEVE

DIMENSIONS: 単位: 寸 (mm)	TOLERANCES UNLESS OTHERWISE SPECIFIED: 一般公差	PRODUCT SPEC 製品規格	SIZE	CAGE CODE	DRAWING NO. 番号	RESTRICTED TO
0 PLC ± -	1 PLC ± -	APPLICATION SPEC 取付適用規格	A3	00779	170823	-
2 PLC ± -	3 PLC ± -	WEIGHT	SCALE 尺度 2:1		SHEET 10 OF 13	REV H3
4 PLC ± -	ANGLES ± -	CUSTOMER DRAWING				

LOC	DIST	REVISIONS 変更					
J	—	P	LTR	DESCRIPTION	DATE	DWN	APVD
			—	SEE SHEET 1	—	—	—



1. 材質：SS-108（一般）
2. 一般公差：±0.5
3. 適用製品規格は無し
4. 品川商工発行のカタログと本図で寸法が異なる場合は本図を優先する。
5. この製品の名称はコネクタスリーブ AMP205シリーズ

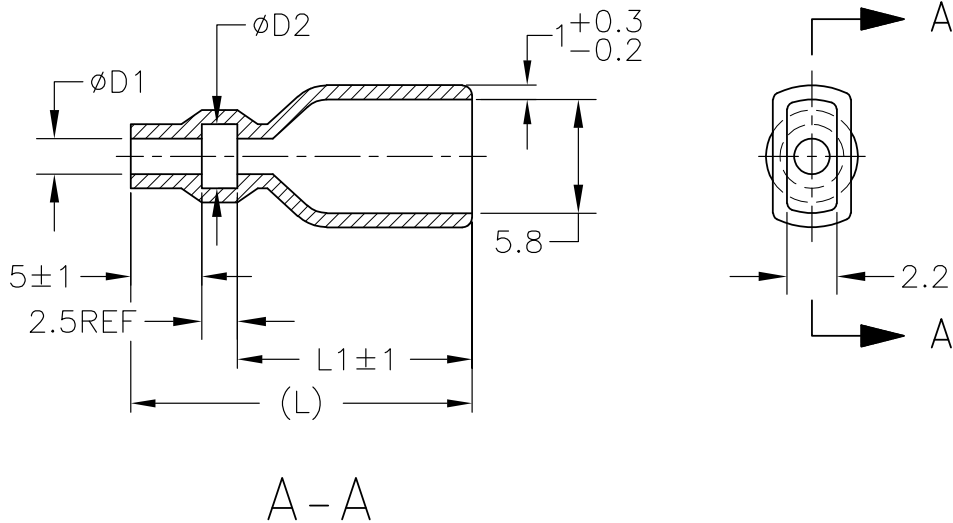
1. MATERIAL:SS-108(GENERAL)
2. GENERAL TOLERANCE: ±0.5
3. APPLICABLE PRODUCT SPEC NOT AVAILABLE
4. IN THE EVENT OF CONFLICT BETWEEN THE REQUIREMENTS OF THIS CUSTOMER DRAWING AND THE SHINAGAWA SHOKO CO LTD CATALOG THIS CUSTOMER DRAWING SHALL TAKE PRECEDENCE
5. THIS PRODUCT NAME FLAG TYPE CONNECT SLEEVE AMP205 SERIES

THIS DRAWING IS UNPUBLISHED. ALL RIGHTS RESERVED.

CLEAR	236525	4-170823-1
COLOR	△ SHINAGAWA SHOKO PN	PART NUMBER

DIMENSIONS: 単位： 耗 mm	DWN	31AUG00	MATERIAL	FINISH
	A. YAMAGUCHI		材料	仕上
TOLERANCES UNLESS OTHERWISE SPECIFIED: 一般公差	CHK	31AUG00	TE Connectivity	
	D. MATSUURA			
0 PLC ± - 1 PLC ± - 2 PLC ± - 3 PLC ± - 4 PLC ± - ANGLES ± -	APVD	31AUG00	NAME 名称 INSULATION SLEEVE	
	K. BETSUI			
PRODUCT SPEC 製品規格 APPLICATION SPEC 取付適用規格	SIZE	A4	CAGE CODE	00779
	WEIGHT		DRAWING NO	170823
CUSTOMER DRAWING			RESTRICTED TO	—
			SCALE	2:1
			SHEET	11 OF 13
			REV	H3

LOC	DIST	REVISIONS 変更					
J	—	P	LTR	DESCRIPTION	DATE	DWN	APVD
			—	SEE SHEET 1	—	—	—



1. 材質：SS-108（一般）
2. 一般公差：±0.5
3. 適用製品規格は無し
- △4 品川商工発行のカタログと本図で寸法が異なる場合は本図を優先する。
5. この製品の名称はコネクタスリーブ AMP187シリーズ

1. MATERIAL:SS-108(GENERAL)
2. GENERAL TOLERANCE: ±0.5
3. APPLICABLE PRODUCT SPEC NOT AVAILABLE
- △4 IN THE EVENT OF CONFLICT BETWEEN THE REQUIREMENTS OF THIS CUSTOMER DRAWING AND THE SHINAGAWA SHOKO CO LTD CATALOG THIS CUSTOMER DRAWING SHALL TAKE PRECEDENCE
5. THIS PRODUCT NAME FLAG TYPE CONNECT SLEEVE AMP187 SERIES
- △6 OBSOLETE PARTS: OBSOLETE CIS STREAMLINING PER D.RENAUD/D.SINISI

△6 OBSOLETE	CLEAR	23	15.5	3.3	1.8	235818	2-170823-5
		20	12.5	3.5	2.5	235825-1	1-170823-4
		23	15.5	3.7	2.2	235822	1-170823-3
COLOR	L	L1	$\phi D2$	$\phi D1$	△ SHINAGAWA SHOKO PN		PART NUMBER

THIS DRAWING IS UNPUBLISHED. ALL RIGHTS RESERVED.

DIMENSIONS: 単位： 耗 mm	DWN	31AUG00	MATERIAL	FINISH
	A. YAMAGUCHI		材料	仕上
TOLERANCES UNLESS OTHERWISE SPECIFIED: 一般公差	CHK	31AUG00	TE Connectivity	
	D. MATSUURA			
0 PLC ± - 1 PLC ± - 2 PLC ± - 3 PLC ± - 4 PLC ± - ANGLES ± -	APVD	31AUG00	NAME	
	K. BETSUI		名称	
PRODUCT SPEC 製品規格	APPLICATION SPEC		INSULATION SLEEVE	
	取付適用規格		SIZE	CAGE CODE
	WEIGHT		DRAWING NO	RESTRICTED TO
			番号	
CUSTOMER DRAWING		A4	00779	170823
		SCALE	SHEET	REV
		尺度	2:1	12 OF 13 H3

4

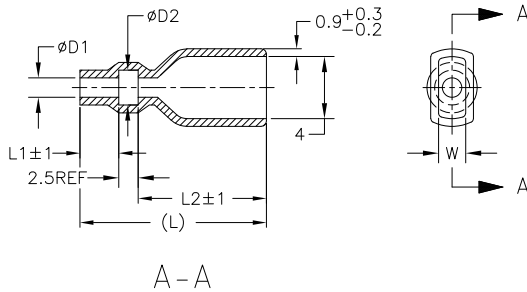
3

2

1

THIS DRAWING IS UNPUBLISHED. RELEASED FOR PUBLICATION
 © COPYRIGHT - By - ALL RIGHTS RESERVED.

LOC		DIST		REVISIONS				
J		-		変更				
P	LTR	DESCRIPTION			DATE	DWN	APVD	
-	-	SEE SHEET 1			-	-	-	



1. 材質：SS-108（一般）
 2. 一般公差：±0.5
 3. 適用製品規格は無し
- △ 品川商工発行のカタログと本図で寸法が異なる場合は本図を優先する。
1. MATERIAL:SS-108(GENERAL)
 2. GENERAL TOLERANCE: ±0.5
 3. APPLICABLE PRODUCT SPEC NOT AVAILABLE
- △ IN THE EVENT OF CONFLICT BETWEEN THE REQUIREMENTS OF THIS CUSTOMER DRAWING AND THE SHINAGAWA SHOKO CO LTD CATALOG THIS CUSTOMER DRAWING SHALL TAKE PRECEDENCE
- △ OBSOLETE PARTS: OBSOLETE CIS STREAMLINING PER D.RENAUD/D.SINISI

△ OBSOLETE	CLEAR	37	29.5	5	3.5	2.5	2	234 025-4	5-170823-4	
OBSOLETE		4.3	2.8		2.1	234 028	5-170823-3			
△ OBSOLETE	YELLOW	21	13.5		3.5	2.5	2	234 025-3	4-170823-6	
OBSOLETE	RED						234 025-2	4-170823-5		
	BLACK						234 018-4	2-170823-4		
OBSOLETE	CLEAR	23	15.5		3.5	2.5		234 025-1	2-170823-3	
△ OBSOLETE			30		22.5	3.8	3	2	234 030-1	2-170823-2
			23		15.5	3.4	1.8	2.1	234 018-2	1-170823-2
			18		12.5	3	2.8	1.6	234 018-1	1-170823-1
			21		13.5	3.8	3	2	234 030	1-170823-0
			21		13.5	3.3	1.8	2.1	234 018	170823-9
			18		12.5	5	3.5	2.5	234 016	170823-8
			21	13.5	5	3.5	2.5	234 025	170823-1	
	COLOR	L	L2	L1	$\phi d2$	$\phi d1$	W	SHINAGAWA SHOKO PN	PART NUMBER	

THIS DRAWING IS A CONTROLLED DOCUMENT.		DWN A. YAMAGUCHI 31AUG00	31AUG00		 TE Connectivity																							
DIMENSIONS: 単位：mm		CHK D. MATSUURA 31AUG02	31AUG02			NAME K. BETSUI 名称																						
TOLERANCES UNLESS OTHERWISE SPECIFIED: 一般公差		APVD K. BETSUI 31AUG02	31AUG02		PRODUCT SPEC 製品規格 APPLICATION SPEC 取付適用規格																							
<table border="1"> <tr><td>0</td><td>PLC</td><td>±</td><td>-</td></tr> <tr><td>1</td><td>PLC</td><td>±</td><td>-</td></tr> <tr><td>2</td><td>PLC</td><td>±</td><td>-</td></tr> <tr><td>3</td><td>PLC</td><td>±</td><td>-</td></tr> <tr><td>4</td><td>PLC</td><td>±</td><td>-</td></tr> <tr><td colspan="2">ANGLES</td><td>±</td><td>-</td></tr> </table>		0	PLC	±		-	1	PLC	±	-	2	PLC	±	-	3	PLC	±	-	4	PLC	±	-	ANGLES		±	-	WEIGHT	
0	PLC	±	-																									
1	PLC	±	-																									
2	PLC	±	-																									
3	PLC	±	-																									
4	PLC	±	-																									
ANGLES		±	-																									
MATERIAL 材料		FINISH 仕上		CAGE CODE 00779	DRAWING NO 番号 C-170823																							
		CUSTOMER DRAWING		SCALE 尺度 2:1	SHEET 13 of 13																							
				RESTRICTED TO -	REV H3																							