

4

3

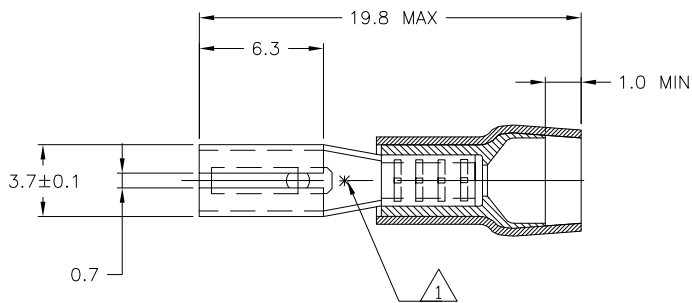
2

1

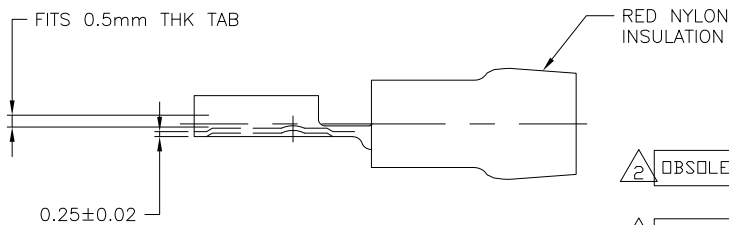
THIS DRAWING IS UNPUBLISHED. RELEASED FOR PUBLICATION  
 © COPYRIGHT - By - ALL RIGHTS RESERVED.

LOC	DIST	REVISIONS			
P	LTR	DESCRIPTION	DATE	DWN	APVD
G	02	M2	REVISED PER ECO-11-004820	11MAR11	RK HMR

AMP WIRE RANGE	AMP INSULATION RANGE
22-16 AWG 0.3-1.5 mm <sup>2</sup>	.140 MAX DIA 3.5 MAX DIA



- 1 ASTERISK \* FOR PHOS BRONZE VERSION ONLY
- 2 OBSOLETE W/O REPLACEMENT



	GOLD	PHOS BRONZE	165565-6
2 OBSOLETE	GOLD	BRASS	165565-5
	SILVER	PHOS BRONZE	165565-4
2 OBSOLETE	SILVER	BRASS	165565-3
	TIN	PHOS BRONZE	165565-2
	TIN	BRASS	165565-1
	PN ON TAPE	FINISH	MATERIAL PART NUMBER

THIS DRAWING IS A CONTROLLED DOCUMENT.

DWN jr_ruth 15APROS	CHK T MICHELUTTI 15APROS	<b>STE</b> TE Connectivity	
APVD T MICHELUTTI 15APROS	NAME	RECEPTACLE, FASTON, PIDG, .110 SERIES	
PRODUCT SPEC		SIZE	RESTRICTED TO
APPLICATION SPEC		A3	
WEIGHT		CAGE CODE	DRAWING NO
MATERIAL		00779	165565
FINISH		SCALE 5:1 SHEET 1 of 1 REV M2	
CUSTOMER DRAWING			