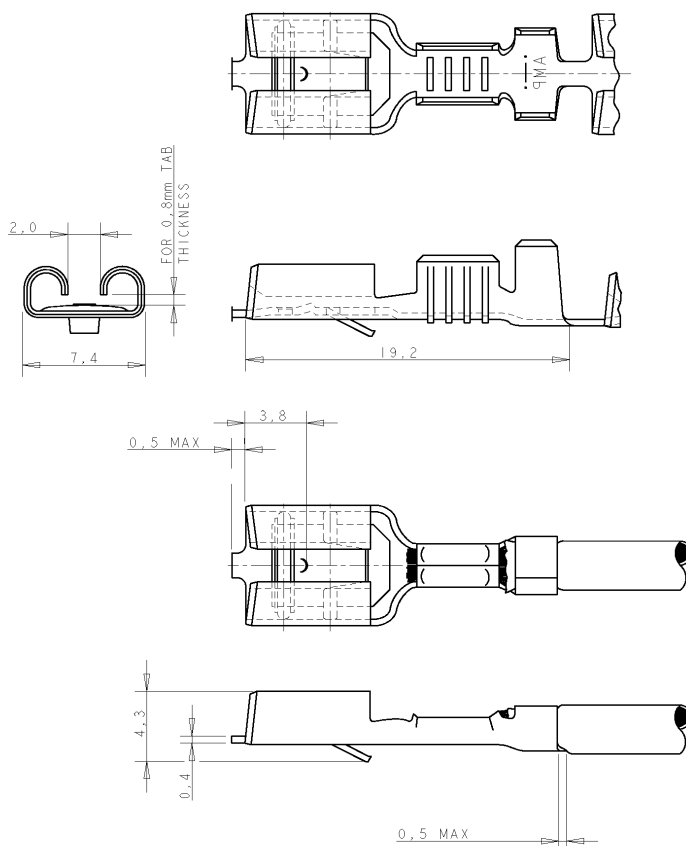


DO NOT SCALE  
DIMENSIONS IN mm

METRIC

THIRD ANGLE  
PROJECTION



NOTES

- 1. FOR USE ON MINIATURE APPLICATORS ( LEFT-RIGHT FEED ) AND STANDARD APPLICATORS ( RIGHT-LEFT FEED ).
- 2. REELED WITH PAPER AND PAPER COVER.
- 3. OBSOLETE PARTS: OBSOLETE CIS STREAMLINING PER D.RENAUD/D.SINISI

GENERAL TOLERANCES ±0.3

OBSOLETE △	△	PRE-TINPLATED	PH.BRONZE	<del>6 160917 8</del>
	△	PRE-TINPLATED	BRASS	<del>6 160917 7</del>
	△	TINPLATED	PH.BRONZE	160917-4
	△	UNPLATED	PH.BRONZE	160917-3
	△	TINPLATED	BRASS	160917-2
	△	UNPLATED	BRASS	160917-1

NOTES	FINISH	MATERIAL	PARTNUMBER
-	-	-	-
CUSTOMER DRAWING			FOR REFERENCE ONLY WILL NOT BE UPDATED
<del>THIS DRAWING IS UNPUBLISHED</del> RELEASED FOR PUBLICATION JULY, 19 87			
<b>STE</b> TE Connectivity			
NAME			
.250 SRS FASTIN-ON RECEPTACLE.			
<b>E3</b>	REVISED PER ECO-11-005139	RK	HMR 28MAR11
LTR.	REVISION RECORD	DR.	CHK. DATE
DR. : R.V.LOXVEN	CHK. : A.BIJEN	APP. : L.V.SOEST.	DWG.No. 160917
DATE: 31-07-87	DATE: 10-08-87	DATE: 25-08-887	REV.LTR. E3
			SHEET 1 of 1

WIRE RANGE :  
> 1.0-2.5 mm<sup>2</sup>  
INSULATION RANGE :  
2.1-3.1 DIA.