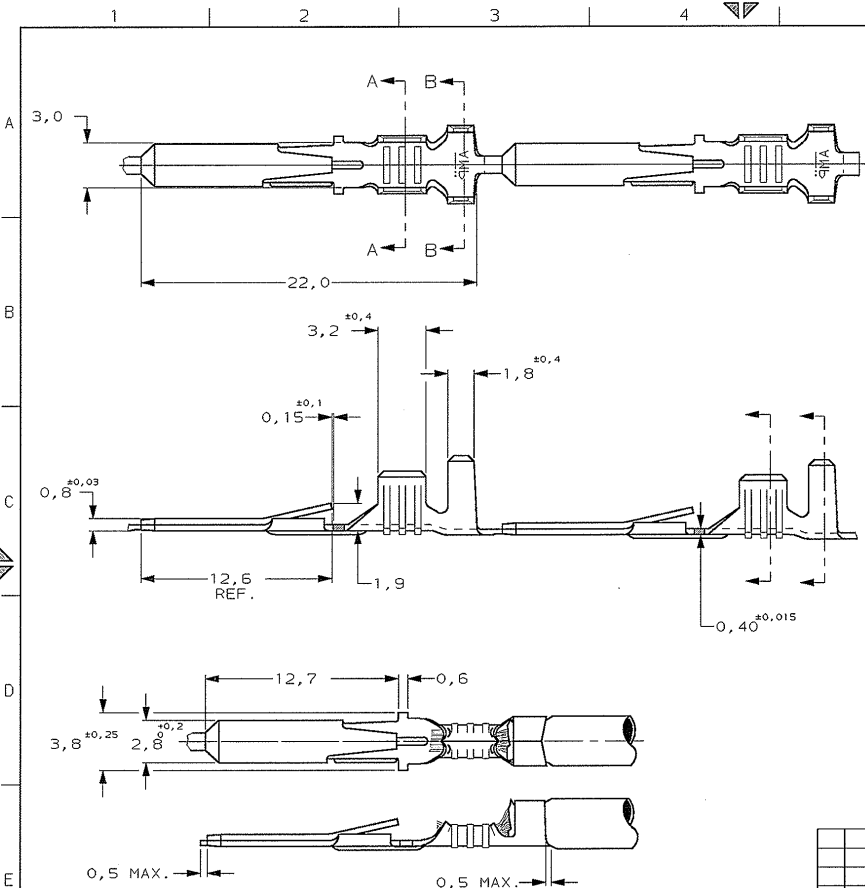


SCALA NON IMPEGNATIVA
(DO NOT SCALE)
DIMENSIONI IN mm

METRIC

PROIEZIONE EUROPEA
(EUROPEAN PROJECTION)



OBSELETE

OTTONE PRE STAGNATO (PRE TIN PLATED)	OTTONE (BRASS)	160887-4	K
NUDO (UNPLATED)	OTTONE (BRASS)	160887-3	J
PRE STAGNATO (PRE-TIN PLATED)	BRONZO FOSF. (PHOS. BRONZE)	160887-2	L
NUDO (UNPLATED)	BRONZO FOSF. (PHOS. BRONZE)	160887-1	J
FINITURA / COLORE (FINISH / COLOUR)	MATERIALE (MATERIAL)	NUMERO (P/N)	REV

CUSTOMER DWG. FOR REFERENCE ONLY DISEGNO PER CLIENTE SOLO PER RIFERIMENTO

THIS DRAWING IS UNPUBLISHED	RELEASE FOR PUBLICATION	19
© COPYRIGHT 19 BY TE INCORPORATED, HARRISBURG, PA. ALL INTERNATIONAL RIGHT RESERVED. TE PRODUCTS MAY BE COVERED BY U.S. AND FOREIGN PATENT AND/OR PATENT PENDING.		
TOLLERANZE, SE NON DIVERSAMENTE SPECIFICATO (TOLERANCES, UNLESS OTHERWISE SPECIFIED)	DIAH. ISOLANTE (INS. DIA. RANGE)	RANGO FILO (WIRE RANGE) mm2 (SCALE)
± 0.3	1.4-2.3	0.5-1.5
ANGOLI (ANGLES)	TE Connectivity	

L1	ECR-10-022530	KK	DIS. H. YAALI
L	ecr-06-024596	HY	16 JULY 2003
K	REVISED FOR ECR06-2481	A.V.	CONI. C. TARTARI
J	REVISED & REDRAWN ETOO-0108-03	HY	2003
REV.	REVISIONI (REVISION RECORD)	DIS.	DATA (DATE)

DESCRIZIONE (DESCRIPTION)	FASTIN-FASTON® Connector, 2.8 mm series RECEPTACLE CONTACT
LOC. SIZE (LOC. NO.)	I A3
NUMERO (DWS NO.)	C-160887
REV.	L1
FOLIO (SHEET)	1 OF 1

1) STATO DO FORNITURA (SUPPLY CONDITION)

SENDO DI USCITA DEL TERMINALE DALLA BOBINA (DIRECTION OFF TOP OF REEL)

2) SPECIFICA DI PRODOTTO 108-20020. (PRODUCT SPEC. 108-20020).
SPECIFICA DI AGRAFFATURA 114-20021. (APPLICATION SPEC. 114-20021).