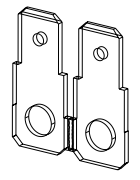
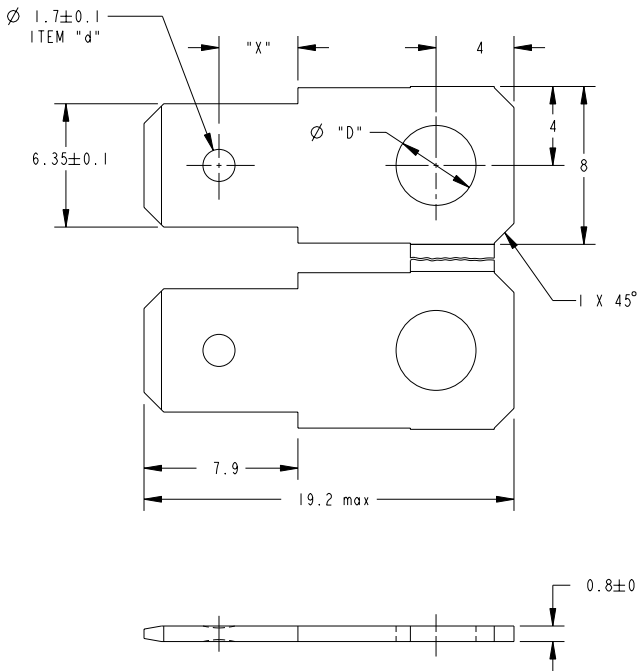


THIS DRAWING IS UNPUBLISHED.
 DIFFUSION RESTREINTE / TE
 RELEASED FOR PUBLICATION
 LIBRE A LA DIFFUSION
 © COPYRIGHT 20 BY TYCO ELECTRONICS CORPORATION. ALL RIGHTS RESERVED.
 TOUS DROITS RESERVES

LOC	DIST	REVISIONS				
P	LTR	DESCRIPTION	DATE	DRN	APVD	
F	7	Redessine en CAO et revise	30MARS98	O.L	-	
G		CLARIFICATION	09OCT2000	JJD	-	
GI		COLUMN "X" INTRODUCED IN THE TABLE	01DEC2010	PKS	MP	



140734-2	etame	3.4	4.1	trou
140734-1	brut	3.4	4.1	trou
141715-2	etame	4.1	3.1	bossage
141715-1	brut	4.1	3.1	bossage
141621-2	etame	3.4	2.4	trou
141621-1	brut	3.4	2.4	trou
140592-0	etame	4.1	4.1	bossage
140591-0	brut	4.1	4.1	bossage
Numero	Finition	"X"	"D"	"d"

THIS DRAWING IS A CONTROLLED DOCUMENT FOR TYCO ELECTRONICS CORPORATION IT IS SUBJECT TO CHANGE AND THE CONTROLLING ENGINEERING ORGANIZATION SHOULD BE CONTACTED FOR THE LATEST REVISION. CE PLAN EST UN DOCUMENT CONTROLÉ PAR TE INCORPORATED IL EST SUSCEPTIBLE D'ÊTRE REVISÉ, CONTACTER LE SERVICE TECHNOLOGIE QUALITÉ DE FRANCE POUR OBTENIR LA DERNIÈRE RÉVISION.		30MARS98 O. LEMPEUR S. ROBERT Y. PETRONIN	Tyco Electronics Tyco Electronics DE FRANCE 95301 PONTOISE
DIMENSIONS: mm	TOLERANCES UNLESS OTHERWISE SPECIFIED: TOLERANCES NON SPECIFIÉES (SUIV NO DE DECIMALES): 0 PLC/DEC: ± 1 PLC/DEC: ± 0.2 2 PLC/DEC: ± 3 PLC/DEC: ± 4 PLC/DEC: ± ANGLES ± 30°	NAME TITRE FASTON TABS .250 series LANGUETTE POUR CLIPS de 6.35	RESTRICTED TO RESERVE A
MATERIAL / MATIERE LAITON	FINISH / FINITION VOIR TABLE	SIZE FORMAT A3	CAGE CODE 00779
CUSTOMER DRAWING / PLAN CLIENT		DRAWING NO No. PLAN 140591	SCALE ECHELLE 5:1
		UNIFORMEMENT POUR REFERENCE	SHEET FEUILLE 1 OF 1