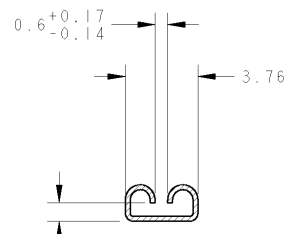
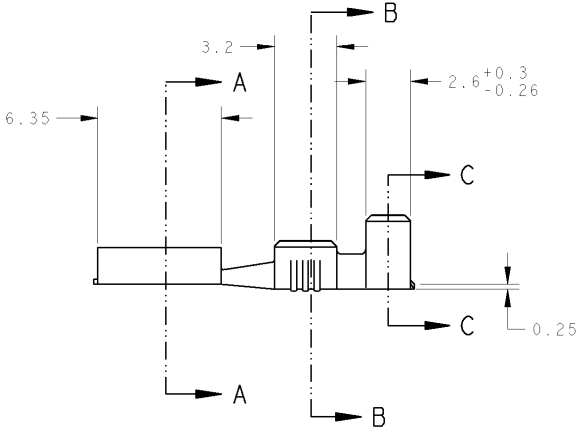


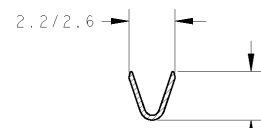
THIS DRAWING IS UNPUBLISHED.
 DIFFUSION RESTREINTE. AMP
 © COPYRIGHT BY

RELEASED FOR PUBLICATION
 LIBRE À LA DIFFUSION
 ALL RIGHTS RESERVED.
 TOUS DROITS RESERVES

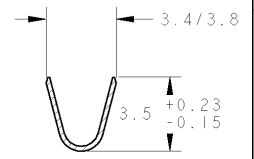
LOC	DIST	REVISIONS				
P	LFR	DESCRIPTION	DATE	DWN	APVD	
T	REV	MODIFICATIONS		DESS	APP	
S1		REVISED PER ECO-11-005150	27APR11	RK	HMR	



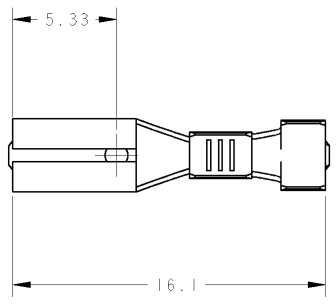
Entre fer pour languette 2.8 x 0.5
 (Gap for tab 2.8 x 0.5 series)
 COUPE A-A



COUPE B-B



COUPE C-C



1.5 2.5	0.3 1	0.5	DORE	LAITON	141286-3	140719-3	140717-4
1.5 2.5	0.3 1	0.5	ARGENTE	LAITON	-	140719-4	140717-3
1.5 2.5	0.3 1	0.5	PRE-ETAME	LAITON	141286-2	140719-2	140717-2
1.5 2.5	0.3 1	0.5	BRUT	LAITON	141286-1	140719-1	140717-1
DIA. ISOLANT	SECTION mm ²	Ep. TAB	FINITION	MATIERE	REFERENCE VRAC PREFORME	REFERENCE VRAC	REFERENCE

I PRODUIT LIVRE EN BANDE: PAS 17.9±0.1
 CONTINUOUS STRIP ON REEL: FEED 17.9±0.1

DIMENSIONS: mm		TOLERANCES UNLESS OTHERWISE SPECIFIED. TOLERANCES NON SPECIFIEES SAUF INDICATION DECIMALES:		DWN/DESIGNE 27MAR2001 C. COMBEROUZON CHR/VERIFIE 02APR2001 V. FONDREVELLE APVD/APPROUVE 02APR2001 G. ROBERT		NAME/TITRE	
MATERIAL/MATIERE V. table		FINISH/FINITION V. table		PRODUCT SPEC SPEC. PRODUIT		TE Connectivity	
APPLICATION SPEC SPEC. APPLICATION 114-35000		WEIGHT/MASSE APPROX.		SIZE/FORMAT A3		DRAWING NO./N° PLAN C-140717	
CUSTOMER DRAWING /PLAN CLIENT		UNDOUMENT POUR REFERENCE		SCALE/ECHELLE 5:1		SHEET/FEUILLE OF/DE 1	
							REV 51