

4

3

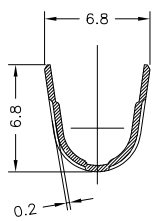
2

1

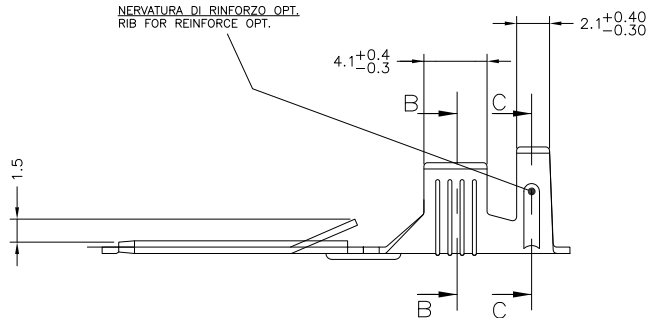
THIS DRAWING IS UNPUBLISHED. RELEASED FOR PUBLICATION 9 DEC. 1991. ALL RIGHTS RESERVED. COPYRIGHT 1991 By -

LOC	DIST	REVISIONS			
P	LTR	DESCRIPTION	DATE	DWN	APVD
AM6		DRAFTING ERROR [DIM. 45DEG CHANGED TO 40DEG]	12MAR2011	PKS	RRP

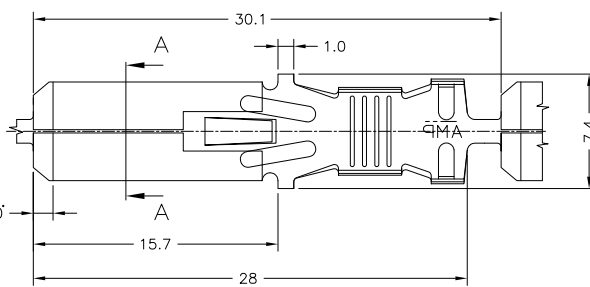
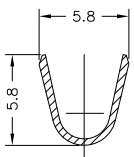
SECT. C-C



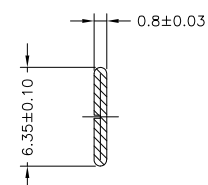
NERVATURA DI RINFORZO OPT.  
RIB FOR REINFORCE OPT.



SECT. B-B



SECT. A-A



SENSO DI USCITA DALLA BOBINA  
REEL OUT DIRECTION

- ⚠️ NON DISPONIBILE DALL TE ITALIA [NOT AVAILABLE FROM TE ITALY]
- ⚠️ BOBINATO SU BOBINA 13" CON CARTA INTERPOSTA TRA LE SPIRE [REELLED ON 13" CARTON REEL WITH INTERLAYER PAPER STRIP]
- ⚠️ BOBINATO SU BOBINA 10 1/2" CON CARTA INTERPOSTA TRA LE SPIRE [REELLED ON 10 1/2" CARTON REEL WITH INTERLAYER PAPER STRIP]
- ⚠️ BOBINATO SU BOBINA 12" CON CARTA INTERPOSTA TRA LE SPIRE [REELLED ON 12" CARTON REEL WITH INTERLAYER PAPER STRIP]
- ⚠️ OBSOLETE PARTS: OBSOLETE CIS STREAMLINING PER D.RENAUD/D.SINISI

⚠️	OBSOLETE	-	OTTONE / BRASS	4-180352-9	⚠️
⚠️	OBSOLETE	1-180352-2	OT.STAG./ BRASS TINNED	4-180352-8	⚠️
⚠️	OBSOLETE	1-180409-7	OT.PRE-ST./ BR.PRE-TIN	4-180352-7	⚠️
⚠️	OBSOLETE	1-180409-6	OT.ARGENT/ BR. SILVERED	4-180352-6	⚠️
⚠️	OBSOLETE	1-180409-5	BR.FOSF.ST/ PH.BR TINNED	4-180352-5	⚠️
⚠️	OBSOLETE	1-180409-4	BR.FOSF.ARG./ PH.BR. SILVER	4-180352-4	⚠️
⚠️	OBSOLETE	1-180409-3	BRONZO FOSF./ PHOS. BR	4-180352-3	⚠️
⚠️	OBSOLETE	1-180409-2	OT.STAG./ BR.TINNED	1-180352-2	⚠️
⚠️	OBSOLETE	1-180409-1	OTTONE / BRASS	4-180352-1	⚠️
⚠️	OBSOLETE	180409-6	OT.ARGENT. / BR.SILVERED	480352-9	⚠️
⚠️	OBSOLETE	180409-2	OT. STAG. / BR.TINNED	180352-8	⚠️
⚠️	OBSOLETE	180409-7	OT.PRE-ST / BR. PRE-TIN	480352-7	⚠️
⚠️	OBSOLETE	180409-6	OT.ARGENT/ BR. SILVERED	180352-6	⚠️
⚠️	OBSOLETE	180409-5	BR.FOSF.ST/PH.BR.TINNED	180352-5	⚠️
⚠️	OBSOLETE	180409-4	BR.FOSF.ARG./PH.BR.SILVER	180352-4	⚠️
⚠️	OBSOLETE	180409-3	BRONZO FOSF./ PHOS.BR	180352-3	⚠️
⚠️	OBSOLETE	180409-2	OTT. PRE-STAG/BR.PRE-TIN	180352-2	⚠️
⚠️	OBSOLETE	180409-1	OTTONE / BRASS	180352-1	⚠️
		LOOSE PIECE NO.	MATERIALE / FINITURA MATERIAL / FINISH	NUMERO /PART NO.	

THIS DRAWING IS A CONTROLLED DOCUMENT. DWN P.VERGANO 12-09-91

TE Connectivity

FASTIN-ON TAB .250 SRS

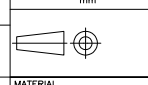
108-20020

114-2025

SIZE A3 CAGE CODE 00779 DRAWING NO C=180352

SCALE 4:1 SHEET 1 OF 1 REV AM6

RANGO FILO (WIRE RANGE)	4-6 mm <sup>2</sup>
DIAM. ISOLANTE (INS. DIA. RANGE)	3.4-5.1



DIMENSIONS:	TOLERANCES UNLESS OTHERWISE SPECIFIED:
mm	
0 PLC	±
1 PLC	±0.3
2 PLC	±
3 PLC	±
4 PLC	±
ANGLES	±2°

MATERIAL - FINISH - SEE TABLE