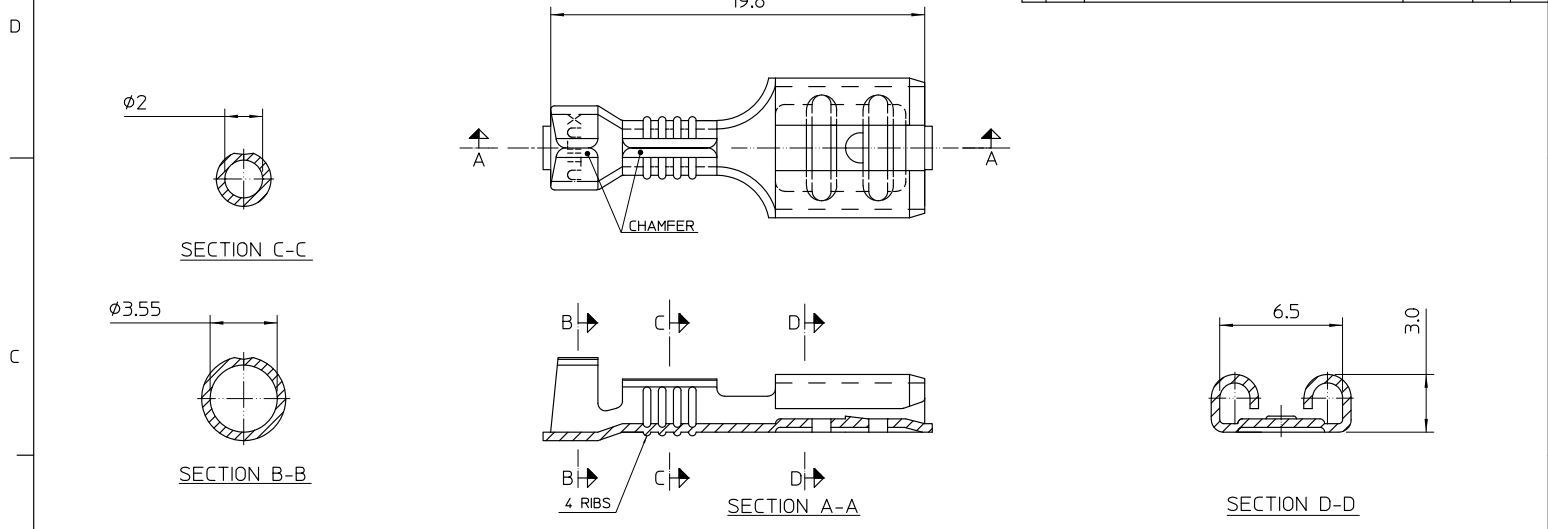


THIS DRAWING IS UNPUBLISHED. RELEASED FOR PUBLICATION
 © COPYRIGHT BY TYCO ELECTRONICS CORPORATION. ALL RIGHTS RESERVED.

LOC		DIST		REVISIONS			
P	LTR	DESCRIPTION	DATE	DWN	APVD		
U	-						



- NOTES:
- RECEPTACLES ARE UL APPROVED.
 - WIRE SIZE RANGE:
 CONDUCTOR: 0.7mm² - 2.1mm²
 INSULATION DIA: 2.6mm - 3.1mm
 - FOR CRIMPING DETAILS REFER
 UTILUX CRIMP CHART NO. H953

LOOSE PIECE	150	BRASS	RECEPTACLE H953/150	1-1627194-4
LOOSE PIECE	150	NICKEL SILVER	RECEPTACLE H953B/150	1-1627194-2
LOOSE PIECE	1000	NICKEL SILVER	RECEPTACLE H953B/1000	1-1627194-1
LOOSE PIECE	5000	BRASS	RECEPTACLE H953/5000	1-1627194-0
REMARKS	PACK SIZE	MATERIAL	DESCRIPTION	PART No.
THIS DRAWING IS A CONTROLLED DOCUMENT.		DWN: W.RIEDE 26.10.04	Tyco Electronics Corporation AUSTRALIA	
ALL DIMENSIONS IN mm		CHK: H.THAI 26.10.04		
TOLERANCES UNLESS OTHERWISE SPECIFIED: DIMENSION (mm) TOLERANCE (±mm) LESS THAN 10 0.4 OVER 10 TO 30 0.5 OVER 30 TO 80 0.7 OVER 80 TO 250 1.0 ANGLES 12°		APVD: W.RIEDE 26.10.04		
		PRODUCT SPEC:	NAME: RECEPTACLE QC 6.3	
MATERIAL:		APPLICATION SPEC:	SIZE: A3	CAGE CODE: C-1627194
FINISH:		WEIGHT:	DRAWING NO: C-1627194	
CUSTOMER DRAWING			SCALE: 5:1	SHEET 1 OF 1 REV 0

THIS INFORMATION IS CONFIDENTIAL AND PROPRIETARY TO TYCO ELECTRONICS CORPORATION AND IS NOT TO BE RELEASED TO ANYONE OTHER THAN TYCO ELECTRONICS CORPORATION, HARRISBURG, PENNSYLVANIA, USA.