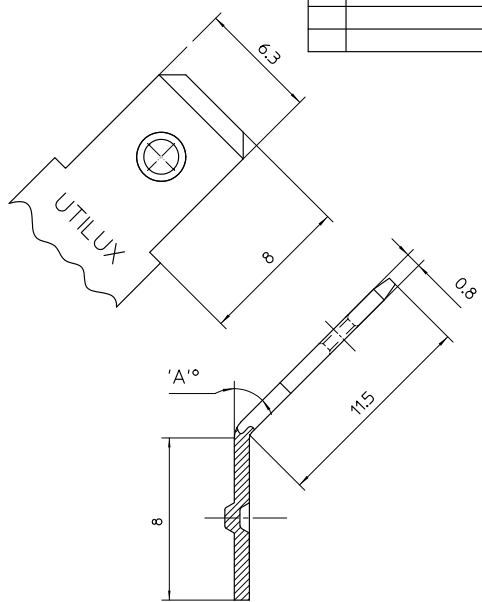
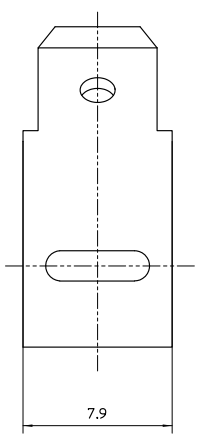


THIS DRAWING IS UNPUBLISHED. RELEASED FOR PUBLICATION
 © COPYRIGHT BY TYCO ELECTRONICS CORPORATION. ALL RIGHTS RESERVED.

LTR	REVISION RECORD	DATE	DWN	APVD
0	REDRAWN - WAS UTX DRG No 01.00946.02	08 JUN 08	V.M.	W.R.



45°	STAINLESS STEEL UNS S30400/2B	TAB, QC 6.3 (H946/1000)	1-1627192-4
45°	STAINLESS STEEL UNS S30400/2B	TAB, QC 6.3 (H946/5000)	1-1627192-3
30°	STAINLESS STEEL UNS S30400/2B	TAB, QC 6.3 (H946C/5000)	1-1627192-2
'A'	MATERIAL DESC.	DESCRIPTION (UTX P/No.)	PART No.

THIS INFORMATION IS CONFIDENTIAL AND PROPRIETARY TO TYCO ELECTRONICS CORPORATION AND IS NOT TO BE DISCLOSED TO ANYONE OTHER THAN TYCO ELECTRONICS CORPORATION, HANNOVER, PENNSYLVANIA, USA.

THIS DRAWING IS A CONTROLLED DOCUMENT.		DWN: V.MEDOVIKOV 08 JUN 08	Kingsgrove AUSTRALIA	
ALL DIMENSIONS IN mm		CHK: W.RIEDE 08 JUN 08		
	TOLERANCES UNLESS OTHERWISE SPECIFIED:	APVD: W.RIEDE 08 JUN 08	NAME: TAB, QC 6.3	
	DIMENSION (mm) TOLERANCE (mm) LESS THAN 10 0.4 OVER 10 TO 30 0.5 OVER 30 TO 80 0.7 OVER 80 TO 250 1.0 ANGLES 45°	PRODUCT SPEC: -	SIZE: A3	CAGE CODE: -
MATERIAL: REF BLOCK	FINISH: NATURAL	APPLICATION SPEC: -	WEIGHT: 0.9g	RESTRICTED TO: -
CUSTOMER DRAWING			SCALE: 5:1	SHEET: 1 OF 1
			REV: 0	

A3 KINGSGROVE REV B