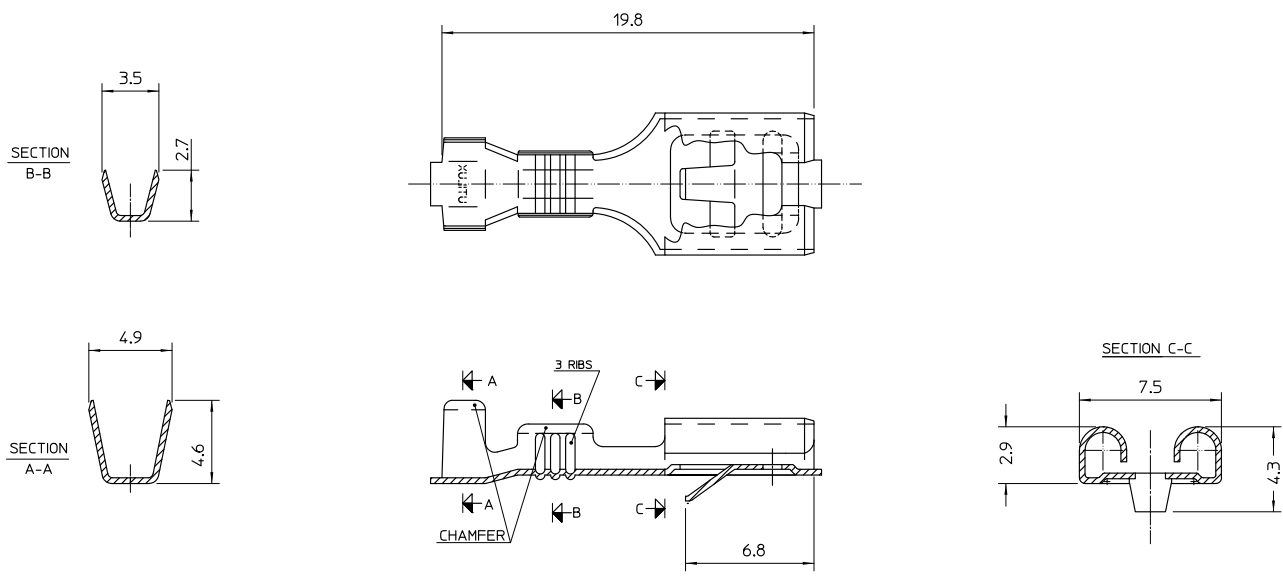


THIS DRAWING IS UNPUBLISHED. RELEASED FOR PUBLICATION
 © COPYRIGHT BY TYCO ELECTRONICS CORPORATION. ALL RIGHTS RESERVED.

LOC		DIST		REVISIONS			
P	LTR	DESCRIPTION	DATE	DWN	APVD		



NOTES:
 1. WIRE RANGE
 CONDUCTOR: 0.5mm² - 0.75mm²
 INSULATION DIA : 2.2mm - 2.6mm
 2. FOR CRIMPING DETAILS REFER
 TO UTILUX CRIMP CHART NO. H3702

BRASS PRE-TIN	RECEPTACLE, H3702ET	1-1627161-1
BRASS	RECEPTACLE, H3702	1-1627161-2
MATERIAL DESC.	DESCRIPTION	PART No.

THIS DRAWING IS A CONTROLLED DOCUMENT.		DWN: W.RIEDE 26.10.04	Tyco Electronics Corporation AUSTRALIA			
ALL DIMENSIONS IN mm		CHK: H.THAI 26.10.40				
TOLERANCES UNLESS OTHERWISE SPECIFIED:		APVD: W.RIEDE 26.10.04	NAME: RECEPTACLE, QC 6.3			
DIMENSION (mm) TOLERANCE(+/-mm) LESS THAN 10 0.4 OVER 10 TO 30 0.5 OVER 30 TO 80 0.7 OVER 80 TO 250 1.0 ANGLES 42°		PRODUCT SPEC: -				
UNREELING DIRECTION FROM TOP OF REEL		APPLICATION SPEC: -	SIZE: A3	CAGE CODE: -	DRAWING NO: C-1627161	RESTRICTED TO: -
MATERIAL: REF.BLOCK	FINISH: REF.BLOCK	WEIGHT: -	CUSTOMER DRAWING			
			SCALE: 5:1	SHEET: 1 OF 1	REV: 0	

THIS INFORMATION IS CONFIDENTIAL AND PROPRIETARY TO TYCO ELECTRONICS CORPORATION AND IS NOT TO BE RELEASED TO ANYONE OTHER THAN TYCO ELECTRONICS CORPORATION, HARRISBURG, PENNSYLVANIA, USA.