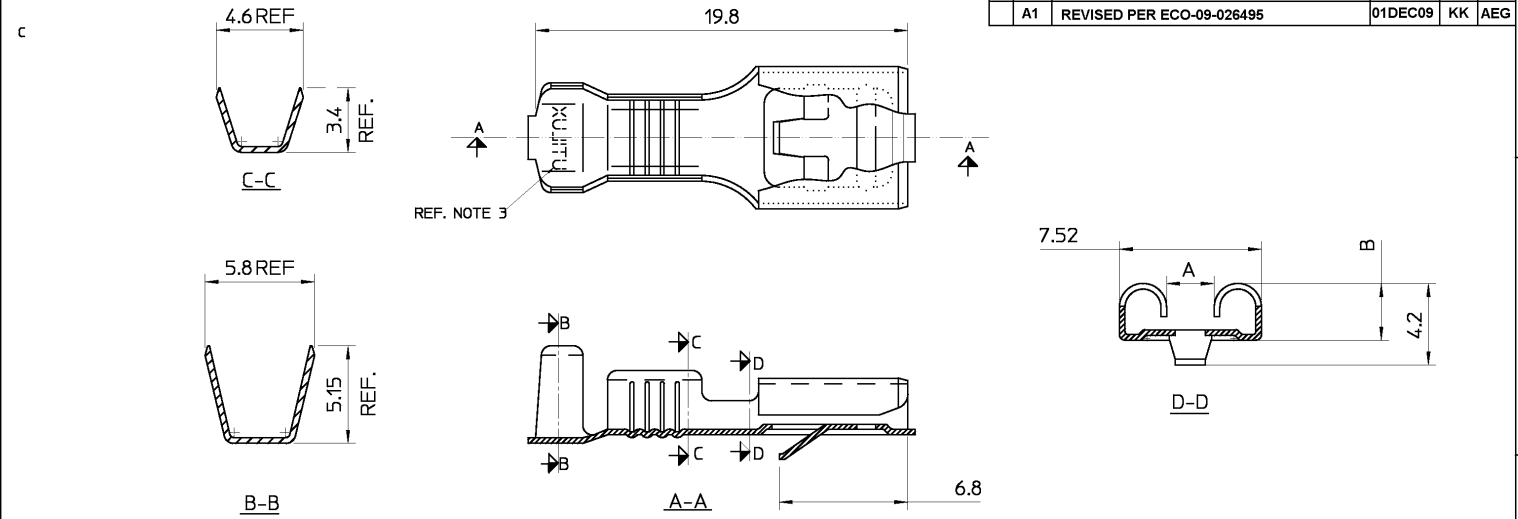


THIS DRAWING IS UNPUBLISHED. RELEASED FOR PUBLICATION
 COPYRIGHT BY TYCO ELECTRONICS CORPORATION. ALL RIGHTS RESERVED.

P	LTR	DESCRIPTION	DATE	DWN	APVD
A		ECN FA00 0057 03	3 SEPT 03	HT	WR
A1		REVISED PER ECO-09-026495	01DEC09	KK	AEG



- NOTES:
- THIS RECEPTACLE HAS NO LOCKING DIMPLE AND SHOULD ONLY BE USED WITH A SUITABLE LATCHING HOUSING
 - WIRE SIZE RANGE:
CONDUCTOR: 1 - 1.5 mm²
INSULATION: 2.8 - 3.4mm DIA.
 - MAY BE STAMPED 'UTILUX', 'AMP', OR 'TE'
 - 1-1627154-7 IS DESIGNED TO SUIT INARCA HOUSING

5 OBSOLETE PARTS: OBSOLETE CIS STREAMLINING PER D.RENAUD/D.SINISI

OBsolete	8K REEL	BRASS ET (PRE-PLATE)	3.1	3.2	RECEP. H3555 ET. SEE NOTE 4 HIGH AND NARROW RAIL	1-1627154-7		
5	OBsolete	BOX OF 5000	BRASS	2.1	2.9	RECEPTACLE H3555	1-1627154-6	
		BOX OF 150	BRASS			RECEPTACLE H3555	1-1627154-5	
		BOX OF 10K	BRASS			RECEPTACLE H3555	1-1627154-4	
		8K REEL	BRASS ET (PRE-PLATE)			RECEPTACLE H3555 ET	1-1627154-2	
		8K REEL	BRASS			RECEPTACLE H3555	1-1627154-1	
		BOX OF 1K	BRASS			RECEPTACLE H3555	1-1627154-0	
	REMARKS	MATERIAL DESC.	Dim. 'A'	Dim. 'B'	DESCRIPTION	PART No.		
THIS DRAWING IS A CONTROLLED DOCUMENT.			DWG: WR 10.MAR.03		Tyco Electronics Corporation AUSTRALIA	RECEPTACLE QC 6.3		
ALL DIMENSIONS IN mm			CHK: HT 10.MAR.03					
TOLERANCES UNLESS OTHERWISE SPECIFIED: DIMENSION (mm) TOLERANCE (mm) LESS THAN 10 0.25 OVER 10 TO 30 0.25 OVER 30 TO 80 - OVER 80 TO 250 - ANGLES -42°			APWD: WR 10.MAR.03					
UNREELING DIRECTION			PRODUCT SPEC		SIZE	CAGE CODE	DRAWING NO	RESTRICTED TO
		MATERIAL	FINISH	WEIGHT:	A3		C-1627154	-
CUSTOMER DRAWING						SCALE	SHEET	REV
						5:1	1 OF 1	A1

THIS INFORMATION IS CONFIDENTIAL AND PROPRIETARY TO TYCO ELECTRONICS CORPORATION AND IS NOT TO BE RELEASED TO ANY OTHER PARTY WITHOUT THE WRITTEN PERMISSION OF TYCO ELECTRONICS CORPORATION.