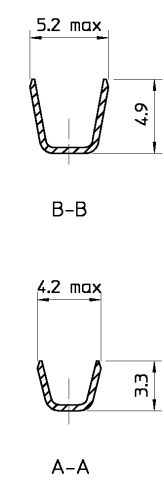
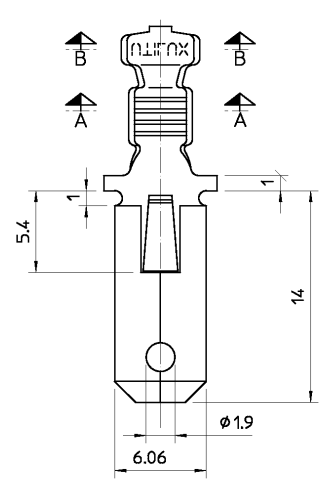
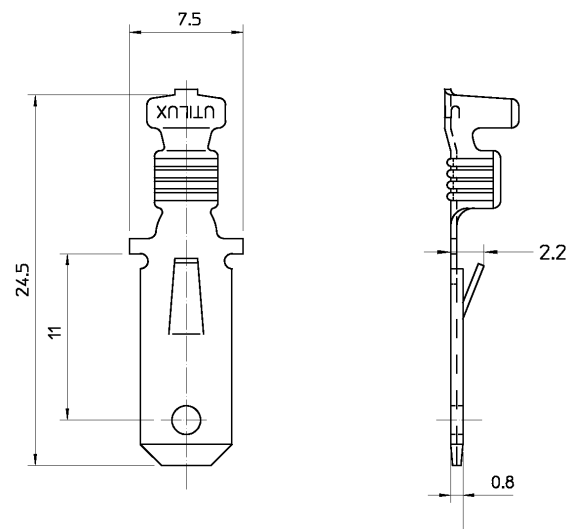


THIS DRAWING IS UNPUBLISHED. RELEASED FOR PUBLICATION  
 COPYRIGHT BY TYCO ELECTRONICS CORPORATION. ALL RIGHTS RESERVED.

LOC		DIST		REVISIONS			
P	LTR	DESCRIPTION		DATE	DWN	APVD	
U	-	O1	REV PER ECO-10-000030	04JAN10	KK	AEG	



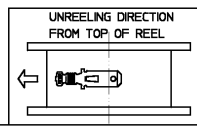
NOTES:  
 1. WIRE RANGE  
 CONDUCTOR: 0.7mm<sup>2</sup> - 2.1mm<sup>2</sup>  
 INSULATION DIA: 2.3mm - 3.1mm

2 OBSOLETE PARTS: OBSOLETE CIS STREAMLINING PER D.RENAUD/D.SINISI

LOOSE PIECE	BRASS	TAB, H2832/10000	1-1627133-6
REEL FORM	BRASS PRE-TIN	TAB, H2832ET/R7000	1-1627133-3
REEL FORM	BRASS	TAB, H2832/R7000	1-1627133-2
LOOSE PIECE	BRASS	TAB, H2832/1000	<del>1-1627133-0</del>
REMARKS	MATERIAL	DESCRIPTION	PART No.

2 OBSOLETE

THIS INFORMATION IS CONFIDENTIAL AND PROPRIETARY TO TYCO ELECTRONICS CORPORATION AND IS NOT TO BE RELEASED TO ANY OTHER PARTY WITHOUT THE WRITTEN PERMISSION OF TYCO ELECTRONICS CORPORATION.



THIS DRAWING IS A CONTROLLED DOCUMENT.		DWG: W.RIEDE 6.12.04	Tyco Electronics Corporation AUSTRALIA	
ALL DIMENSIONS IN mm		CHK: H.THAI 6.12.04	NAME: TAB, QC 6.3	
TOLERANCES UNLESS OTHERWISE SPECIFIED:		APVD: W.RIEDE 6.12.04	SIZE: A3	
DIMENSION (mm) TOLERANCE (mm)		PRODUCT SPEC: -	CAGE CODE: -	DRAWING NO: 1627133
LESS THAN 10 0.4		APPLICATION SPEC: -	RESTRICTED TO: -	SCALE: 4:1
OVER 10 TO 30 0.5		WEIGHT: -	SHEET: 1 OF 1	REV: 01
OVER 30 TO 80 0.7		CUSTOMER DRAWING		
OVER 80 TO 250 1.0				
ANGLES 12°				
MATERIAL: -	FINISH: -			