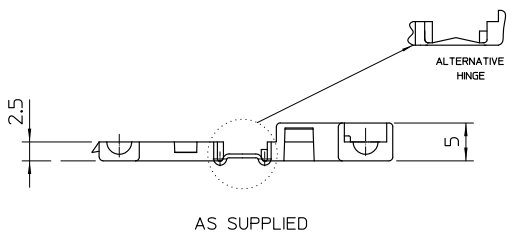
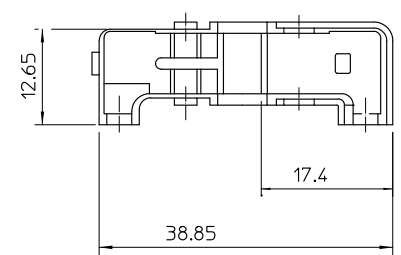
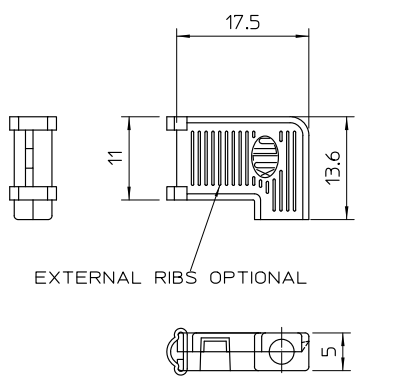


THIS DRAWING IS UNPUBLISHED. RELEASED FOR PUBLICATION
 © COPYRIGHT BY TYCO ELECTRONICS CORPORATION. ALL RIGHTS RESERVED.

LOC		DIST		REVISIONS			
P	LTR	DESCRIPTION		DATE	DWN	APVD	
-	-			-	-	-	



- NOTES:
 1. INSULATOR SUITABLE FOR USE WITH THE FOLLOWING 6.3 QC FLAG RECEPTACLE P/N'S:
 1627100 (H2591 SERIES)
 1627024 (H1191 SERIES)
 1627102 (H2593 SERIES)

NYLON 6 NATURAL	INSULATOR, (H2818)	1-1627128-1
MATERIAL	DESCRIPTION (UTILUX P/N)	PART No.

THIS DRAWING IS A CONTROLLED DOCUMENT.		DWN: W.RIEDE 9.12.04	Tyco Electronics Corporation AUSTRALIA	
ALL DIMENSIONS IN mm		CHK: H.THAI 9.12.04	NAME: INSULATOR, POST FIT	
TOLERANCES UNLESS OTHERWISE SPECIFIED: DIMENSION (mm) TOLERANCE (mm) LESS THAN 10 0.4 OVER 10 TO 30 0.5 OVER 30 TO 80 0.7 OVER 80 TO 250 1.0 ANGLES 42°		APVD: W.RIEDE 9.12.04	PRODUCT SPEC: -	
MATERIAL REF. BLOCK		FINISH: -	APPLICATION SPEC: -	RESTRICTED TO
		MASS: 0.6g	SIZE: A3	CAGE CODE: -
		DRAWING NO: 1627128		SCALE: 2:1
		CUSTOMER DRAWING		SHEET 1 OF 1 REV 0

THIS INFORMATION IS CONFIDENTIAL AND PROPRIETARY TO TYCO ELECTRONICS CORPORATION. IT IS NOT TO BE DISCLOSED TO ANY OTHER PARTY WITHOUT THE WRITTEN PERMISSION OF TYCO ELECTRONICS CORPORATION, HARRISBURG, PENNSYLVANIA, USA.