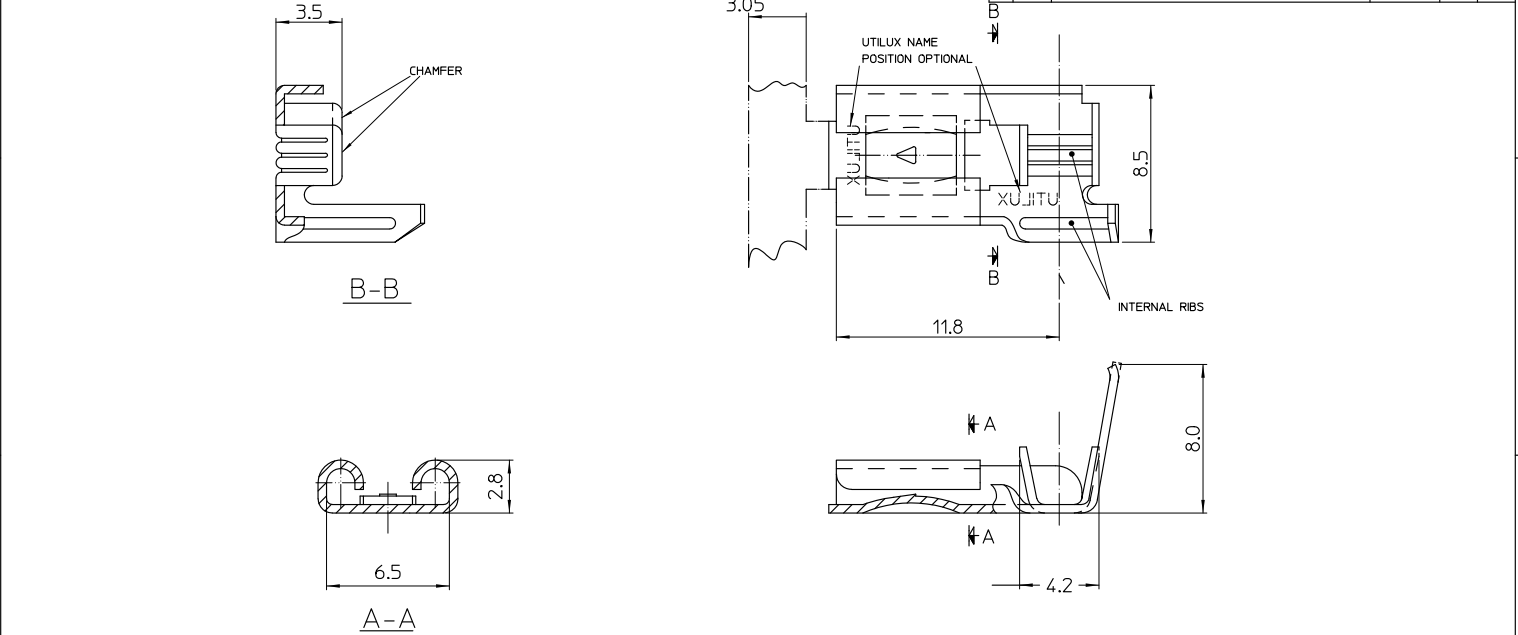
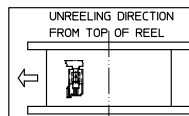


THIS DRAWING IS UNPUBLISHED. RELEASED FOR PUBLICATION  
 COPYRIGHT BY TYCO ELECTRONICS CORPORATION. ALL RIGHTS RESERVED.



REEL FORM	BRASS PRE-TIN	RECEPTACLE H2593ET	1-1627102-4
REEL FORM	BRASS	RECEPTACLE H2593	1-1627102-3
LOOSE PIECE	BRASS	RECEPTACLE H2593	1-1627102-2
REEL FORM	NICKEL SILVER	RECEPTACLE H2593B	1-1627102-1
REMARKS	MATERIAL	DESCRIPTION	PART No.

NOTES:  
 1. WIRE SIZE RANGE  
 CONDUCTOR: 0.75mm<sup>2</sup> - 1.5mm<sup>2</sup>  
 INSULATION DIA : 2.6mm - 3.2mm  
 2. FOR CRIMPING DETAILS REFER  
 TO UTILUX CRIMPING CHART NO. H2593



THIS DRAWING IS A CONTROLLED DOCUMENT.		DWN: W,RIEDE 26.10.04	Tyco Electronics Corporation AUSTRALIA	
ALL DIMENSIONS IN mm		CHK: H,THAI 26.10.04		
TOLERANCES UNLESS OTHERWISE SPECIFIED: DIMENSION (mm) TOLERANCE(+/-mm) LESS THAN 10 0.4 OVER 10 TO 30 0.5 OVER 30 TO 80 0.7 OVER 80 TO 250 1.0 ANGLES 42°		APVD: W,RIEDE 26.10.04	NAME: RECEPTACLE, QC 6.3 FLAG	
MATERIAL		PRODUCT SPEC:	SIZE: A3	CAGE CODE
FINISH		APPLICATION SPEC:	DRAWING NO: 1627102	RESTRICTED TO
		WEIGHT:	CUSTOMER DRAWING	
			SCALE: 5:1	SHEET 1 OF 1 REV 0

THIS INFORMATION IS CONFIDENTIAL AND PROPRIETARY TO TYCO ELECTRONICS CORPORATION AND IS NOT TO BE RELEASED TO ANYONE OTHER THAN TYCO ELECTRONICS CORPORATION, HARRISBURG, PENNSYLVANIA, USA.