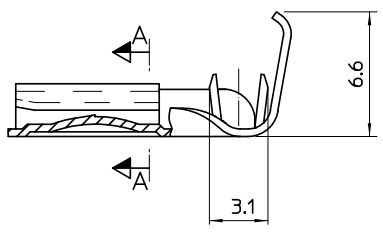
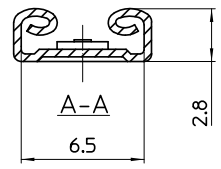
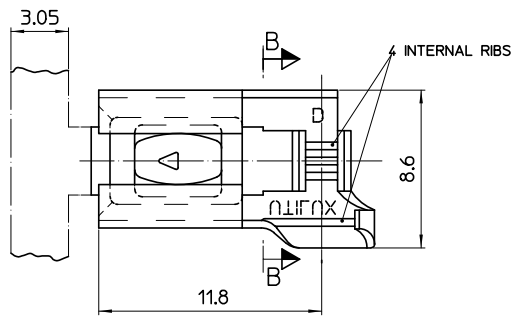
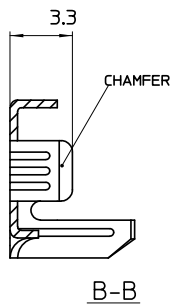


THIS DRAWING IS UNPUBLISHED. RELEASED FOR PUBLICATION
 © COPYRIGHT BY TYCO ELECTRONICS CORPORATION. ALL RIGHTS RESERVED.

LOC		DIST		REVISIONS			
P	LTR	DESCRIPTION	DATE	DWN	APVD		
-	-						



- NOTES:
 1. WIRE RANGE
 CONDUCTOR: 0.5mm² - 1.0mm²
 INSULATION DIAMETER: 2.2mm - 2.5mm
 2. FOR CRIMPING DETAILS REFER
 TO UTILUX CRIMPING CHART NO. H2591

BRASS	RECEPTACLE H2591	1-1627100-2
BRASS PRE-TIN	RECEPTACLE H2591ET	1-1627100-1
MATERIAL	DESCRIPTION	PART No.

THIS DRAWING IS A CONTROLLED DOCUMENT.		DWN: W.RIEDE 25.10.04	Tyco Electronics Corporation AUSTRALIA
ALL DIMENSIONS IN mm		CHK: H.THA1 25.10.04	
TOLERANCES UNLESS OTHERWISE SPECIFIED: DIMENSION (mm) TOLERANCE (mm) LESS THAN 10 0.4 OVER 10 TO 30 0.5 OVER 30 TO 80 0.7 OVER 80 TO 250 1.0 ANGLES 42°		APVD: W.RIEDE 25.10.04	
UNREELING DIRECTION FROM TOP OF REEL		PRODUCT SPEC: -	NAME: RECEPTACLE, FLAG QC 6.3
MATERIAL: -		APPLICATION SPEC: -	SIZE: A3
FINISH: -		WEIGHT: -	CAGE CODE: -
		DRAWING NO: ©=1627100	
		RESTRICTED TO: -	
		CUSTOMER DRAWING	
		SCALE: 5:1	SHEET 1 OF 1 REV 0

THIS INFORMATION IS CONFIDENTIAL AND PROPRIETARY TO TYCO ELECTRONICS CORPORATION AND IS NOT TO BE DISCLOSED TO ANY OTHER PARTY WITHOUT THE WRITTEN PERMISSION OF TYCO ELECTRONICS CORPORATION.