

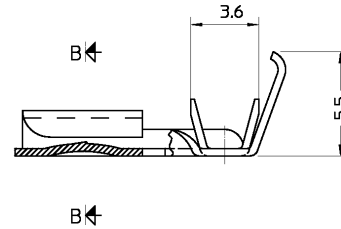
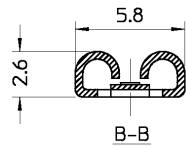
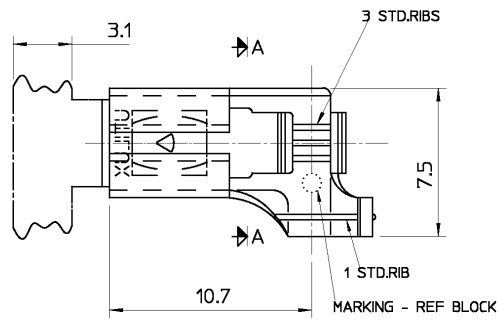
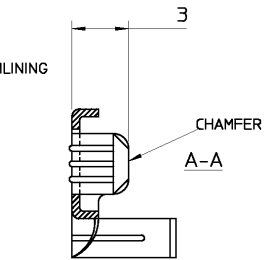
THIS DRAWING IS UNPUBLISHED. RELEASED FOR PUBLICATION  
 COPYRIGHT BY TYCO ELECTRONICS CORPORATION. ALL RIGHTS RESERVED.

LOC		DIST		REVISIONS			
P	LTR	DESCRIPTION	DATE	DWN	APVD		
01		REV PER ECO-10-000030	04JAN10	KK	AEG		

NOTES:

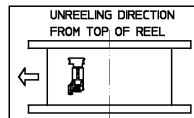
- WIRE SIZE RANGE:  
 CONDUCTOR: 0.4mm<sup>2</sup> - 1.0 mm<sup>2</sup>  
 INSULATION DIA: 2.1 mm - 2.6 mm

⚠ OBSOLETE PARTS: OBSOLETE CIS STREAMLINING  
 PER D.RENAUD/D.SINISI



⚠ OBSOLETE	X	BRASS	RECEPTACLE H25411X01	<del>1-1627087-1</del>
	8	BRASS PRE-TIN	RECEPTACLE H25411	1-1627087-0
	MARKING	MATERIAL DESC.	DESCRIPTION	PART No.

THIS DRAWING IS A CONTROLLED DOCUMENT.		DWG: W. Riede 21.10.04	Tyco Electronics Corporation AUSTRALIA	
ALL DIMENSIONS IN mm		CHK: H.Thai 21.10.04	NAME: RECEPTACLE QC 4.8x0.8	
TOLERANCES UNLESS OTHERWISE SPECIFIED:		APVD: W.Riede 21.10.04	PRODUCT SPEC: -	
DIMENSION (mm) TOLERANCE (mm)		APPLICATION SPEC: -		
LESS THAN 10 0.4		WEIGHT: -		
OVER 10 TO 30 0.5		SIZE: A3	CAGE CODE: -	DRAWING NO: 1627087
OVER 30 TO 80 0.7		RESTRICTED TO: -		
OVER 80 TO 250 1.0		SCALE: 5:1		
ANGLES 42°		SHEET: 1 OF 1		
MATERIAL: -		REV: 01		
FINISH: -		CUSTOMER DRAWING		



THIS INFORMATION IS CONFIDENTIAL AND PROPRIETARY TO TYCO ELECTRONICS CORPORATION AND IS NOT TO BE RELEASED TO ANY OTHER PARTY WITHOUT THE WRITTEN PERMISSION OF TYCO ELECTRONICS CORPORATION.