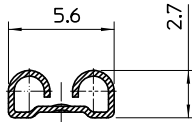
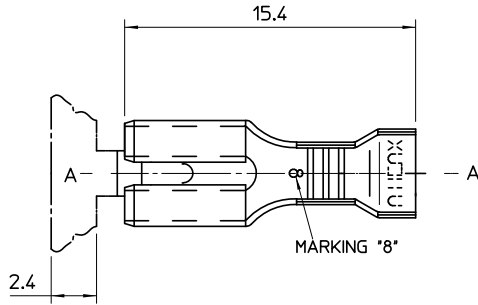


THIS DRAWING IS UNPUBLISHED. RELEASED FOR PUBLICATION
 © COPYRIGHT BY TYCO ELECTRONICS CORPORATION. ALL RIGHTS RESERVED.

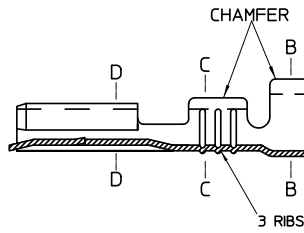
LOC		DIST		REVISIONS			
P	LTR	DESCRIPTION		DATE	DWN	APVD	
U	-						

NOTES:

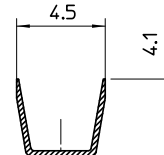
- WIRE SIZE RANGE:
 CONDUCTOR: 0.5mm² - 1.0mm²
 INSULATION DIA: 3.2mm MAX.



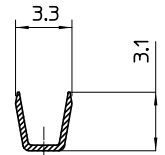
SECTION D-D



SECTION A-A



SECTION B-B



SECTION C-C

LOOSE PIECE	BRASS PRE-TIN	RECEPTACLE H1968	1-1627055-1
STRIP FORM	BRASS PRE-TIN	RECEPTACLE H1968	1-1627055-0
REMARKS	MATERIAL DESC.	DESCRIPTION	PART No.

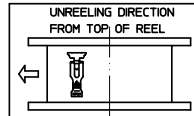
THIS DRAWING IS A CONTROLLED DOCUMENT.

ALL DIMENSIONS IN mm	TOLERANCES UNLESS OTHERWISE SPECIFIED:
	DIMENSION (mm) TOLERANCE (mm)
	LESS THAN 10 0.4
	OVER 10 TO 30 0.5
	OVER 30 TO 80 0.7
	OVER 80 TO 250 1.0
	ANGLES ±2°

MATERIAL	FINISH
-	-

DWN: W. Riede 21.10.04
CHK: H. Thai 21.10.04
APVD: W. Riede 21.10.04
PRODUCT SPEC:
APPLICATION SPEC:
WEIGHT:

Tyco Electronics Corporation AUSTRALIA			
NAME: RECEPTACLE QC4.8x0.8			
SIZE: A3	CAGE CODE:	DRAWING NO: 1627055	RESTRICTED TO:
CUSTOMER DRAWING		SCALE: 5:1	SHEET 1 OF 1 REV 0



THIS INFORMATION IS CONFIDENTIAL AND PROPRIETARY TO TYCO ELECTRONICS CORPORATION. IT IS THE PROPERTY OF TYCO ELECTRONICS CORPORATION AND IS NOT TO BE DISCLOSED TO ANY OTHER PARTY WITHOUT THE WRITTEN PERMISSION OF TYCO ELECTRONICS CORPORATION.