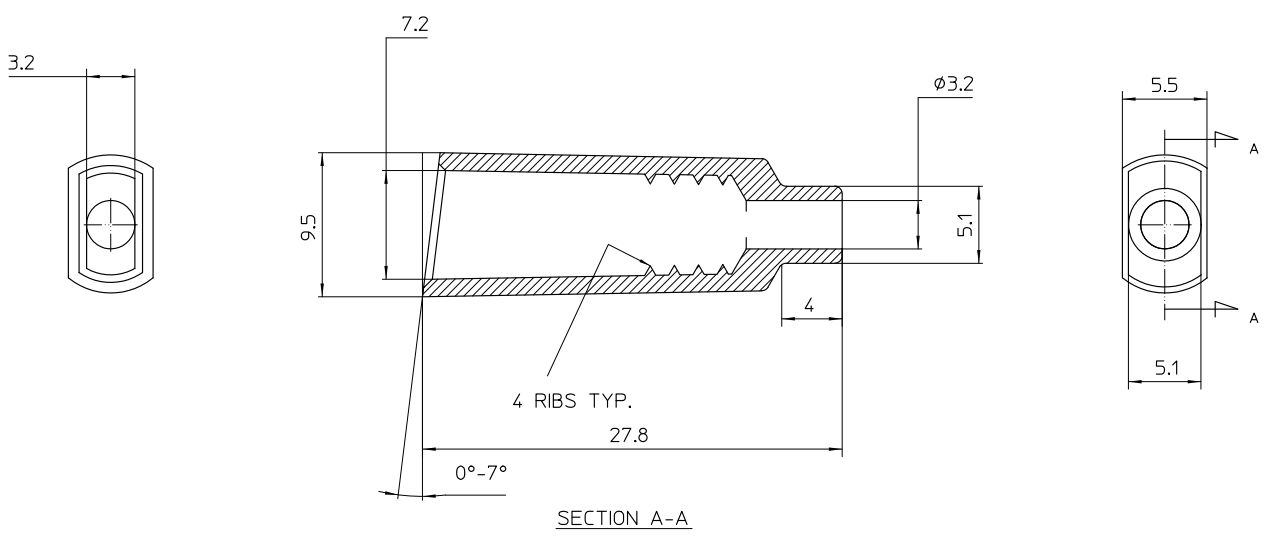


THIS DRAWING IS UNPUBLISHED. RELEASED FOR PUBLICATION
 © COPYRIGHT BY TYCO ELECTRONICS CORPORATION. ALL RIGHTS RESERVED.

LOC	DIST	REVISIONS			
P	LTR	DESCRIPTION	DATE	DWN	APVD
0		REDRAWN - WAS UTILUX DRAWING 01,01135,01	24 OCT 08	N.P.	W.R.
01		ECR-09-007815 - P/N 1--5 ADDED	6 APR 09	WR	WR



SECTION A-A

NOTES:
 1. PRE-FIT TYPE INSULATOR TO SUIT
 QC 6.3 STRAIGHT RECEPTACLE.

5000	PVC, FLEXIBLE CLEAR	INSULATOR (H1135/5000)	1-1627011-5
150		INSULATOR (H1135/150)	1-1627011-0
PACK SIZE	MATERIAL DESC.	DESCRIPTION (UTXP/N)	PART No.
THIS DRAWING IS A CONTROLLED DOCUMENT.		DWN: N.PATEL 24 OCT 08	Kingsgrove AUSTRALIA
ALL DIMENSIONS IN mm		CHK: W.RIEDE 24 OCT 08	
TOLERANCES UNLESS OTHERWISE SPECIFIED: DIMENSION (mm) TOLERANCE (mm) LESS THAN 10 0.4 OVER 10 TO 30 0.5 OVER 30 TO 80 0.7 OVER 80 TO 250 1.0 ANGLES ±2°		APVD: W.RIEDE 24 OCT 08	NAME: INSULATOR, PRE-FIT
		PRODUCT SPEC:	
MATERIAL	FINISH	APPLICATION SPEC:	SIZE
REF BLOCK	-	WEIGHT:	A3
CUSTOMER DRAWING		SCALE	4:1
		SHEET	1 OF 1
		REV	01

THIS DRAWING IS UNPUBLISHED. RELEASED FOR PUBLICATION. ALL RIGHTS RESERVED. THIS DRAWING IS CONTROLLED DOCUMENT. IT IS THE PROPERTY OF TYCO ELECTRONICS CORPORATION. IT IS TO BE USED ONLY FOR THE PURPOSES AND IN THE QUANTITIES SPECIFIED IN THE DRAWING. NO OTHER REPRODUCTION OR DISTRIBUTION IS PERMITTED WITHOUT AUTHORIZATION.

A3 KINGSGROVE REV A