

4

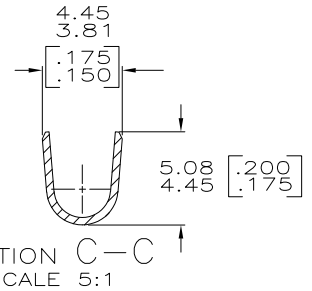
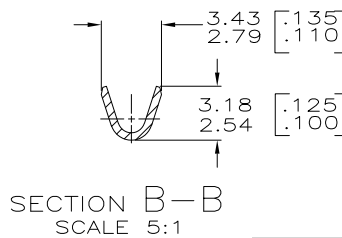
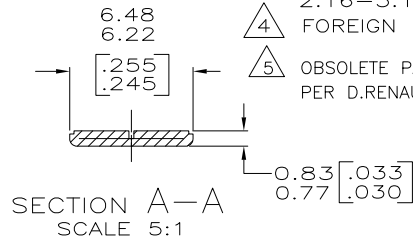
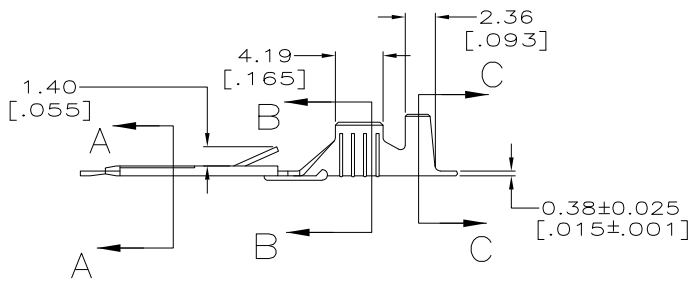
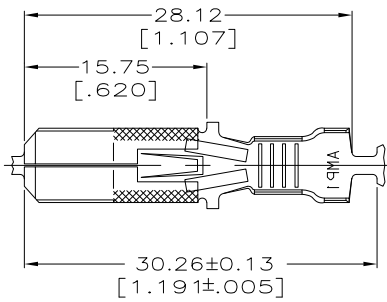
3

2

1

THIS DRAWING IS UNPUBLISHED. RELEASED FOR PUBLICATION
 © COPYRIGHT - BY TYCO ELECTRONICS CORPORATION. ALL RIGHTS RESERVED.

LOC	DIST	REVISIONS				
P	LTR	DESCRIPTION	DATE	DWN	APVD	
AF	50	R	REV PER ECR 05-017609	27MAR06	JR KR	
		R1	REVISED PER ECO-09-021826	21AUG09	KK AEG	



△	TIN	60294-9	△
△	PRE-TIN	60294-4	△
	TIN	60294-2	
	-	60294-1	
	FINISH	PART NO.	

F	3.56 [.140]	5.59 [.220]	F	2.29 [.090]	1.30 [.051] [#18]
					1.19 [.047] [#20]
					1.14 [.045] [#22]
					±0.051 [.002] HEIGHT
TYPE	WIDTH	STRIP LENGTH ±0.38 ±[.015]	TYPE	WIDTH	WIRE
INSUL BARREL CRIMP			WIRE BARREL CRIMP		

THIS DRAWING IS A CONTROLLED DOCUMENT.

DIMENSIONS: mm	TOLERANCES UNLESS OTHERWISE SPECIFIED:	DWN JR RUTH 5/1/96	Tyco Electronics Corporation Harrisburg, Pa 17105-3608
	0 PLC ± -	CHK MS FEHER 5/1/96	
	1 PLC ± -	APVD J GILLESPIE 5/1/96	
	2 PLC ±0.38 [.015]	PRODUCT SPEC	
	3 PLC ± -	APPLICATION SPEC	NAME
	4 PLC ± -	114-2025	SIZE CAGE CODE DRAWING NO
	ANGLES ± -	WEIGHT	A3 00779 C-60294
MATERIAL 082 BRASS	FINISH SEE TABLE	CUSTOMER DRAWING	RESTRICTED TO
		SCALE 5:1	SHEET 1 OF 1 REV R1

AMP 1470-19 REV 31MAR2000