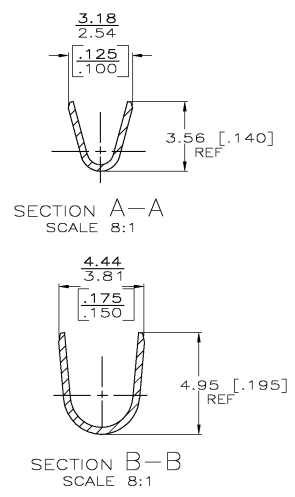
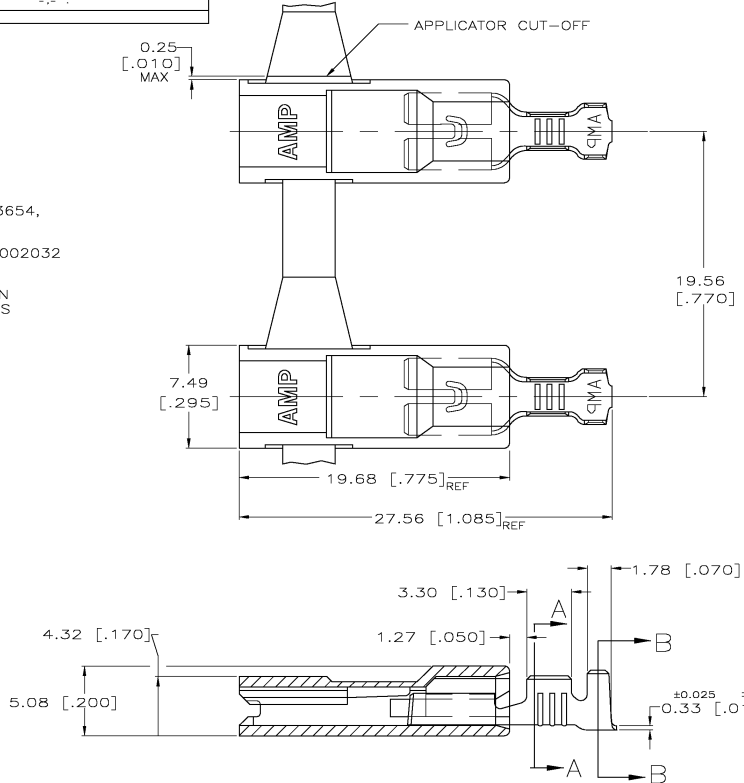


- 1 FASTON TERMINALS, BASE P/N 63654, ARE USED IN THIS PRODUCT.
- 2 TIN PLATE PER MIL-T-10727, 0.002032 [.000080] MIN.
- 3 MATERIAL: HOUSING - 6/6 NYLON
TERMINAL - H04 BRASS
- 4 FINISH: SEE TABLE



OBSOLETE	BULK	NATURAL	PLAIN	2.29-3.30 [.090-.130]	0.5-1.3 mm ² [20-16]	0.813 [.032]	MATING TAB THK ±0.025 [±.001]	PART NO.
	STANDARD	BLACK	PLAIN					
	PACKAGING	NATURAL	TIN					

THIS DRAWING IS A CONTROLLED DOCUMENT.

DESIGNED BY: JR. RUTH 12/6/90	DATE: 12/6/90	BY: JR. RUTH	DATE: 12/6/90
CHECKED BY: MS. FEHER 12/6/90	DATE: 12/6/90	BY: MS. FEHER	DATE: 12/6/90
APPROVED BY: R. KUZDO	DATE: 12/6/90	BY: R. KUZDO	DATE: 12/6/90

TYCO Electronics Tyco Electronics Corporation Harrisburg, Pa 17105-3608

ASSEMBLY, RECEPTACLE, ULTRA-POD, 4.8 [.187] SERIES

SIZE: CASE CODE: DRAWING NO: A2 00779 C=520982

RESTRICTED TO: CUSTOMER DRAWING

SCALE: 5:1 SHEET: 1 OF 1 REV: M