

4

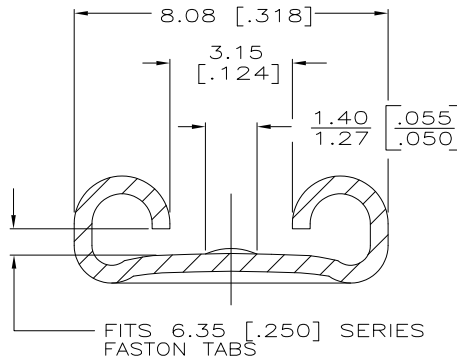
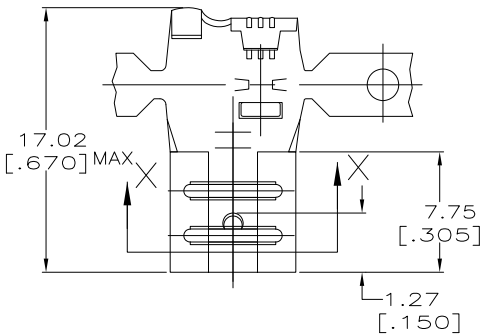
3

2

1

THIS DRAWING IS UNPUBLISHED. RELEASED FOR PUBLICATION  
 © COPYRIGHT - By - ALL RIGHTS RESERVED.

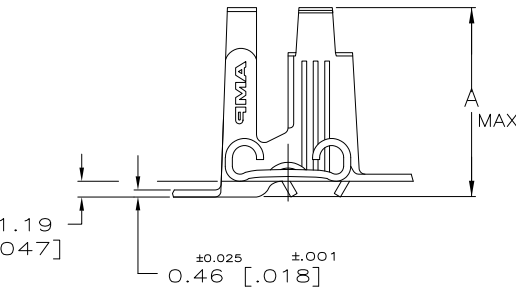
LOC	DIST	REVISIONS				
P	LTR	DESCRIPTION	DATE	DWN	APVD	
AF	50					
AD		REVISED PER ECR-11-018063	21DEC11	KH	PD	



- 1 CONTINUOUS STRIP ON REELS.
- 2 FOREIGN PRODUCTION ONLY
- 3 SILVER PL 0.00381 [.000150] MIN
- 5 NICKEL PL 0.00381 [.000150] MIN

FITS 6.35 [.250] SERIES FASTON TABS

SECTION X-X  
SCALE 10:1



DIM A	INSULATION RANGE	WIRE RANGE	MATING TAB THK ±0.025 [.001]	FINISH	MATERIAL	PART NO
12.19 [.480]		3.0-5.0mm <sup>2</sup> [12-10] AWG 6000-10600 CMA		NICKEL 5	T2 STEEL	42563-9
				TIN	T3 PHOS BRZ	42563-8
				SILVER 3	T3 PHOS BRZ	42563-6
				SILVER 3	T3 PHOS BRZ	<del>42563-7</del>
				TIN	T3 PHOS BRZ	<del>42563-5</del>
				-	T3 PHOS BRZ	<del>42563-4</del>
				SILVER 3	#4H BRASS	<del>42563-3</del>
				TIN	#4H BRASS	42563-2
				-	#4H BRASS	<del>42563-1</del>

THIS DRAWING IS A CONTROLLED DOCUMENT.		DWN JR RUTH 2/14/91	TE Connectivity		
DIMENSIONS: INCHES		CHK P FORTNEY 2/14/91			
TOLERANCES UNLESS OTHERWISE SPECIFIED:		APVD C MEYERS 2/14/91	NAME 0.813 [.032] RECEPTACLE, FASTON, FLAG, 6.35 [.250] SERIES		
0 PLC ± - 1 PLC ± - 2 PLC ± 0.38 [.015] 3 PLC ± - 4 PLC ± - ANGLES ± -		PRODUCT SPEC D REINER 2/14/91	RESTRICTED TO		
MATERIAL SEE TABLE		APPLICATION SPEC	SIZE A3	CAGE CODE 00779	DRAWING NO C-42563
FINISH SEE TABLE		WEIGHT	CUSTOMER DRAWING		SCALE 4:1 SHEET 1 of 1 REV AD