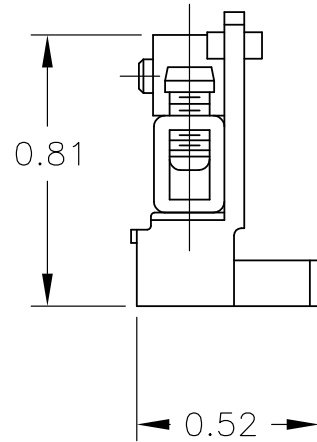
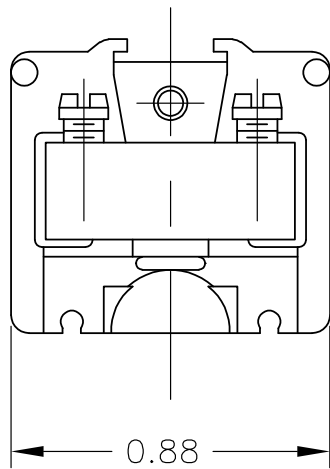
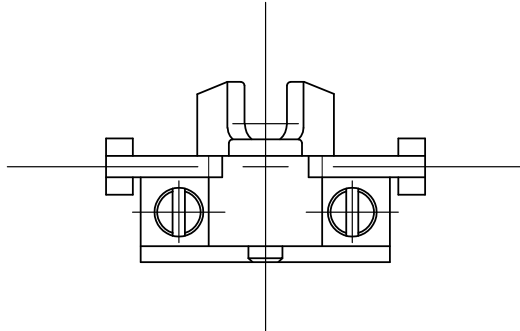


LOC	DIST	REVISIONS					
		P	LTR	DESCRIPTION	DATE	DWN	APVD
—	—		A1	REVISED PER ECO-11-004917	11MAR11	RK	HMR

 MATERIAL: NYLON



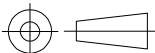


RELEASED FOR PUBLICATION

ALL RIGHTS RESERVED.

THIS DRAWING IS UNPUBLISHED.

© COPYRIGHT - By -

DIMENSIONS: INCHES	DWN	29SEP08	MATERIAL		FINISH	—	
	CHK	29SEP08	 TE Connectivity				
TOLERANCES UNLESS OTHERWISE SPECIFIED:	APVD	29SEP08					
0 PLC ± -	PRODUCT SPEC	—	NAME CONTACT SECTION AND TUBULAR CONTACT ASS'Y. MIN TERM BLOCK				
1 PLC ± -	APPLICATION SPEC	—					
2 PLC ± -	WEIGHT	—	SIZE	A4	CAGE CODE	00779	
3 PLC ± -		CUSTOMER DRAWING	DRAWING NO	C-2-1437392-3		RESTRICTED TO	—
4 PLC ± -			SCALE	2:1	SHEET	1 OF 1	REV
ANGLES ± 0° 15'							