

4

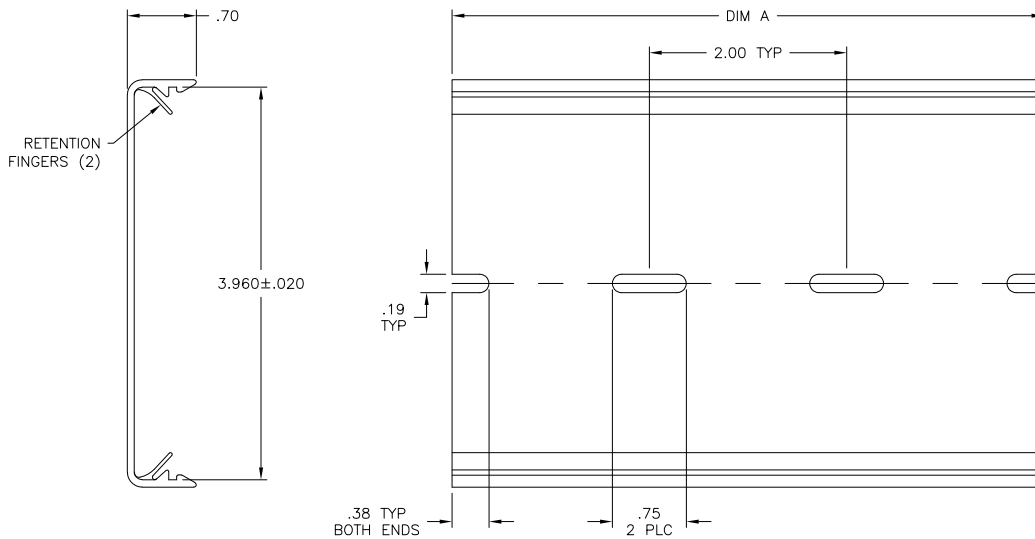
3

2

1

THIS DRAWING IS UNPUBLISHED. RELEASED FOR PUBLICATION
 © COPYRIGHT - BY TYCO ELECTRONICS CORPORATION. ALL RIGHTS RESERVED.

LOC	DIST	REVISIONS					
FT	0	P	LTR	DESCRIPTION	DATE	DWN	APVD
		01		REVISED PER ECO-07-024369	10/16/07	SS	SRY
		02		REVISED PER ECO-09-024927	16NOV09	KK	AEG



4 OBSOLETE

6.00±.03	NO	6TK2-6-MOD1A	1546763-2	
48.00+.25/- .03	NO	6TK2-48-MOD1	5-1437685-1	
10.00±.03	NO	6TK2-10-MOD1	4-1437685-5	
6.00±.03	NO	6TK2-6-MOD1	1546753-1	
6.00±.03	YES	6TK2-6	5-1437685-5	
MATERIAL	DIM A	RETENTION FINGER	CATALOG NO.	PART NO.

NOTES:

- 1 MATERIAL: RIGID PVC, COLOR GRAY.
- 2 MATERIAL: RIGID PVC, COLOR NATURAL.
- 3. RECOMMENDED PC BOARD WIDTH: 4.00".
- 4 OBSOLETE PARTS: OBSOLETE CIS STREAMLINING PER D.RENAUD/D.SINISI

THIS DRAWING IS A CONTROLLED DOCUMENT.

DIMENSIONS: INCHES	TOLERANCES UNLESS OTHERWISE SPECIFIED: 0 PLC ± - 1 PLC ± - 2 PLC ± .015 3 PLC ± .005 4 PLC ± - ANGLES ± 1°	DWN S SCHLEGEL 8/2/04 CHK S YODER 8/2/04 APVD S YODER 8/2/04	Tyco Electronics Corporation Harrisburg, PA 17105-3608	
		NAME 6TK2-6 SNAPTRACK	RESTRICTED TO	
MATERIAL	FINISH	SIZE A3	CAGE CODE 00779	DRAWING NO 5-1437685-5
CUSTOMER DRAWING		WEIGHT	SCALE NTS	SHEET 1 of 1
			REV 02	