

4

3

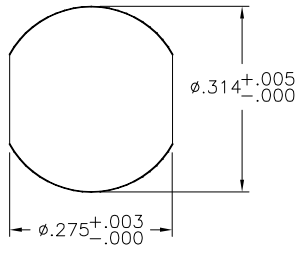
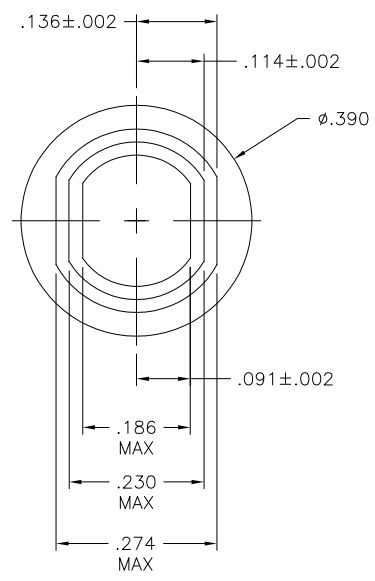
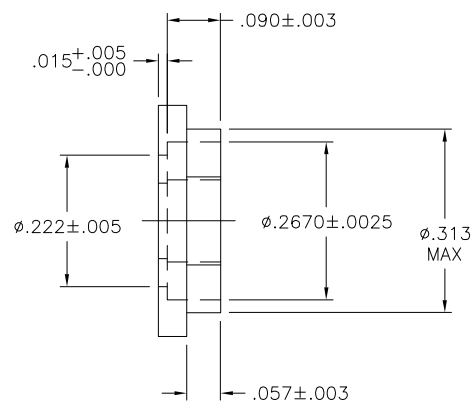
2

1

THIS DRAWING IS UNPUBLISHED. RELEASED FOR PUBLICATION
 © COPYRIGHT BY TYCO ELECTRONICS CORPORATION. ALL RIGHTS RESERVED.

LOC	DIST	REVISIONS			
P	LTR	DESCRIPTION	DATE	DWN	APVD
AJ	16	G1	REACTIVATE PER ECO-05-010755	13OCT05	BM GM

1 MATERIAL: NYLON PER MIL-M-20693A
 TYP I, COLOR: NATURAL.



SUGGESTED PANEL CUT-OUT

329487
 PART NUMBER

THIS DRAWING IS A CONTROLLED DOCUMENT.		DWN	B. MCMASTER	13OCT05	tyco Electronics	Tyco Electronics Corporation Harrisburg, PA 17105-3608			
DIMENSIONS: INCHES		CHK	G. MICHEAL	13OCT05		NAME	COAXIAL CONNECTOR, MINIATURE THREADED SERIES BUSHING-FEMALE		
TOLERANCES UNLESS OTHERWISE SPECIFIED:		APVD	G. MICHEAL	13OCT05	PRODUCT SPEC	SIZE	CAGE CODE	DRAWING NO	RESTRICTED TO
0 PLC	± -	APPLICATION SPEC		---		A300779		C=329487	---
1 PLC	± -	WEIGHT		.002 OZ.		SCALE		6:1	SHEET
2 PLC	± -	CUSTOMER DRAWING		---		1 of 1		REV	G1
3 PLC	± .008								
4 PLC	± -								
ANGLES	± 5'								
MATERIAL	1								
FINISH	-								