

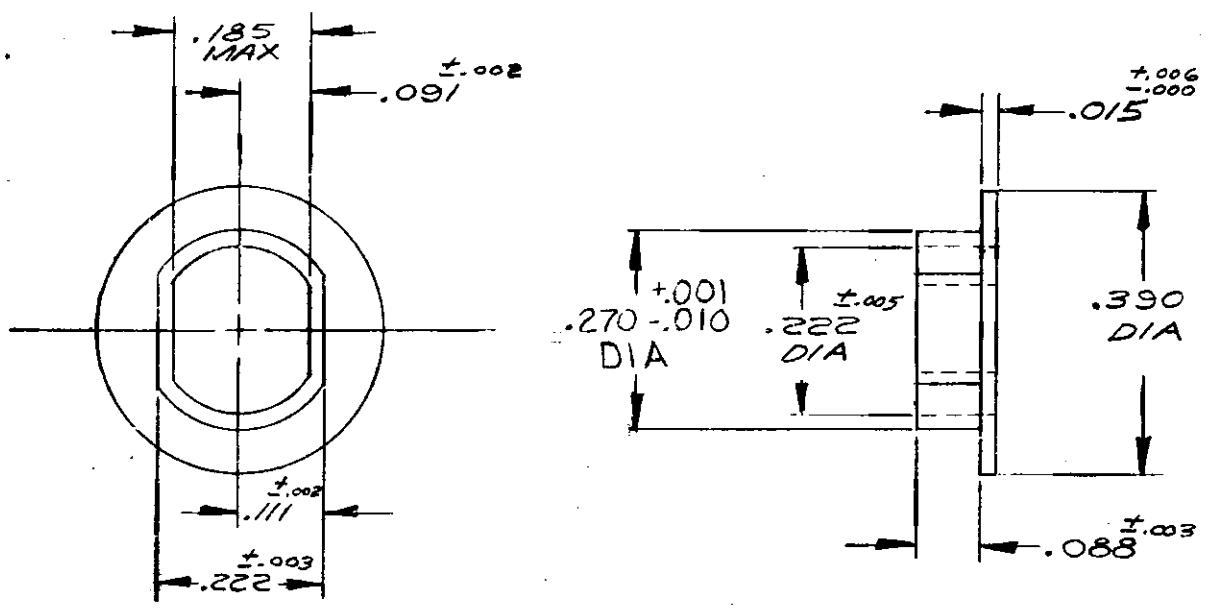
DRAWING MADE IN AMERICAN PROJECTION

MOD 13 LOC AU PRINT DIST 16 E

© 1973 BY AMP INCORPORATED. ALL RIGHTS RESERVED. AMP AND LOGO ARE REGISTERED TRADEMARKS OF AMP INCORPORATED. REPRODUCTION OF THIS DRAWING WITHOUT WRITTEN PERMISSION OF AMP INCORPORATED IS PROHIBITED.

REVISIONS			
LTR	DESCRIPTION	DATE	APPROVED
C	REDRAWN W/O CHANGE	7-9-73	CEP
D	ADD WEIGHT	7-30-80	Gum
E	REVISED C79-366	10-27-80	ms JTW
F	.270 <sup>+0.001</sup> / <sub>-0.010</sub> WAS .2620±.0025 AJ-1434	9/16/85	m/h Jut

329486



UNLESS OTHERWISE SPECIFIED DIMENSIONS ARE IN INCHES  
TOLERANCES ON:  
DECIMALS ± .008  
ANGLES ± 5°

MATERIAL  
NYLON  
(MIL-M-20693A) TYP  
COLOR: NATURAL

CONTRACT NO. —  
DR. *Charles J. Smith* 7/11/73  
CHK. *D. Smith* 7/11/73  
APPD. *R. Williams* 10-27-80  
REL. *J. F. Smith* 7-11-73  
DSGN APPD. *J*  
OTHER APPD.



AMP INCORPORATED  
HARRISBURG, PENNSYLVANIA

NAME  
CONNECTOR, COAXIAL, R.F.  
MINIATURE THREADED SERIES  
BUSHING-MALE

SIZE <b>A</b>	CODE IDENT NO. <b>00779</b>	NUMBER <b>329486</b>
SCALE 4:1	WEIGHT .002 oz	SHEET 1 OF 1