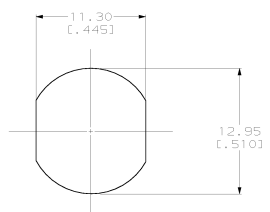
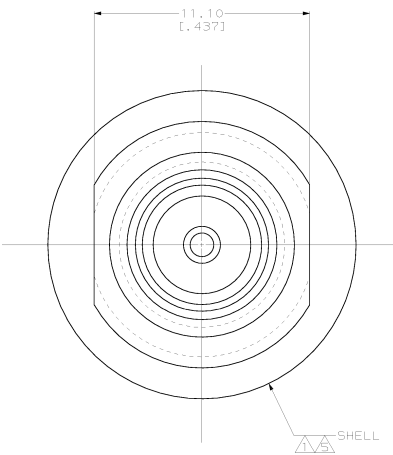
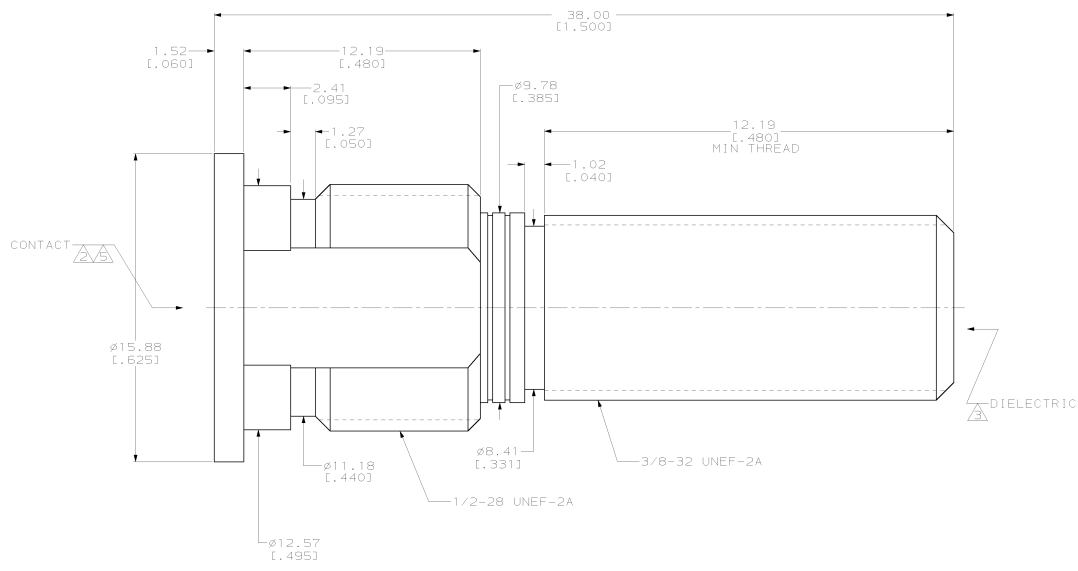
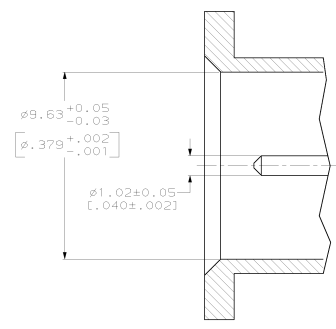


REV. NO.	DESCRIPTION	DATE
1	INITIAL DESIGN	11/20/06
2	REVISED FOR FUNCTION	12/15/06
3	REVISED FOR MANUFACTURE	01/05/07

REV. NO.	DESCRIPTION	DATE	BY	CHK
1	INITIAL DESIGN	11/20/06	MS	MS
2	REVISED FOR FUNCTION	12/15/06	MS	MS
3	REVISED FOR MANUFACTURE	01/05/07	MS	MS



PANEL CUTOUT
SCALE: 4:1



G PLUG DETAIL

- △ BRASS PER ASTM-B-16.
- △ BERYLLIUM COPPER PER ASTM-B-196.
- △ PTFE PER MIL-P-19468.
- 4. CONNECTOR WILL ACCEPT CENTER CONDUCTOR DIAMETER RANGE OF 0.51 [0.020]-1.19 [0.047]
- △ GOLD PLATE PER MIL-G-45204, 0.76 μ m [0.00030] MINIMUM THICK.

1274400-1
PART NUMBER

THIS DRAWING IS A CONTROLLED DOCUMENT.		REV. NO.	DESCRIPTION	DATE	BY	CHK
1	INITIAL DESIGN	11/20/06	MS	MS		
2	REVISED FOR FUNCTION	12/15/06	MS	MS		
3	REVISED FOR MANUFACTURE	01/05/07	MS	MS		
DRAWING TITLE		ADAPTER, F JACK, G PLUG				
PART NO.		1274400				
SEE NOTES 1 THRU 3		SEE NOTE 5				
CUSTOMER DRAWING		DATE: 10/11/06				