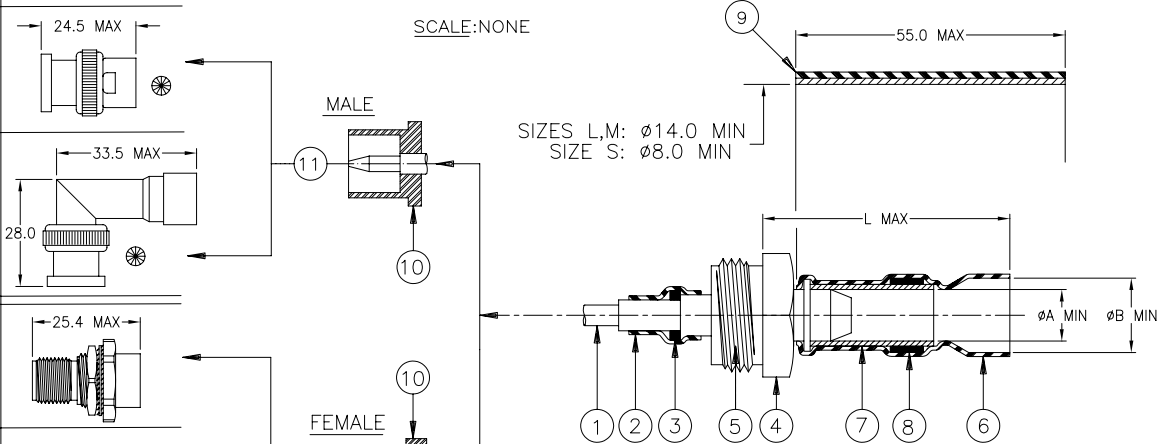


SPECIFICATION CONTROL DRAWING

-XX	DESIGNATION
00	STRAIGHT PLUG
00-H	STRAIGHT PLUG
01	ANGLE PLUG
01-H	ANGLE PLUG
02	STRAIGHT BULKHEAD JACK
03	STRAIGHT JACK
04	STRAIGHT PANEL JACK



SCALE: NONE

SIZES L,M: $\phi 14.0$ MIN
SIZE S: $\phi 8.0$ MIN

FOR EXAMPLE: RTD-75-M-00(-H)

-X	PRODUCT DIMENSIONS			CABLE DIMENSIONS			
	L MAX	ϕA MIN	ϕB MIN	ϕD MAX	ϕF MAX	ϕE	ϕG
L	31.0	9.6	12.7	2.45	7.30	4.1/9.5	5.0/12.5
M	31.0	5.1	7.2	1.25	3.70	2.1/5.0	3.5/7.0
S	26.0	3.1	5.7	0.65	1.55	0.9/3.0	1.5/5.5

☉ -H PARTS HAVE HEX NUT COUPLING WITH LOCK WIRE HOLES.

MATERIAL:

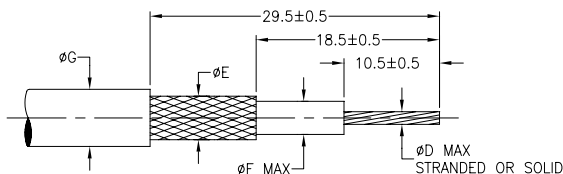
- CENTER CONTACT. GOLD PLATED BRASS (MALE) OR GOLD BERYLLIUM COPPER (FEMALE).
- HEAT SHRINKABLE INSULATION SLEEVE, TRANSPARENT BLUE. RADIATION CROSS-LINKED MODIFIED POLYVINYLIDENE FLOURIDE.
- SOLDER PREFORM. Sn63 Pb37 SOLDER ALLOY WITH MILDLY ACTIVATED ROSIN FLUX.
- THREADED TRANSITION PART. SILVER PLATED BRASS.
- INSULATOR. PTFE.
- SOLDERSHIELD DEVICE. TIN PLATED COPPER BRAID WITH ACTIVATED ROSIN FLUX.
- SOLDER PREFORM (ON L AND M SIZE ONLY). Sn63 Pb37 SOLDER ALLOY WITH MILDLY ACTIVATED ROSIN FLUX.
- HEAT SHRINKABLE INSULATION SLEEVE, BLACK. RADIATION CROSS-LINKED MODIFIED POLYOLEFIN WITH ADHESIVE.
- INSULATOR (EXCEPT FOR ANGLE PLUG), PTFE.
- BODY, NICKEL PLATED BRASS.

APPLICATION:

- THESE CONTROLLED SOLDERING DEVICES ARE DESIGNED TO CONNECT, WITH A MIL-C-390128 TNC INTERMATEABLE PART, A 75Ω SINGLE OR DOUBLE BRAIDED COAXIAL HAVING A:
 - TIN OR SILVER PLATED COPPER OUTER CONDUCTOR.
 - TIN OR SILVER PLATED INNER CONDUCTOR.
 AND INSULATION RATED FOR AT LEAST $+85^{\circ}\text{C}$.
- TEMPERATURE RANGE:
 - * WITH BLACK SLEEVE: -55°C TO 100°C .
 - * WITHOUT BLACK SLEEVE: -55°C TO 150°C .
- FOR INSTALLATION PROCEDURE AND APPLICATION EQUIPMENT, CONSULT RPIP-683-00.

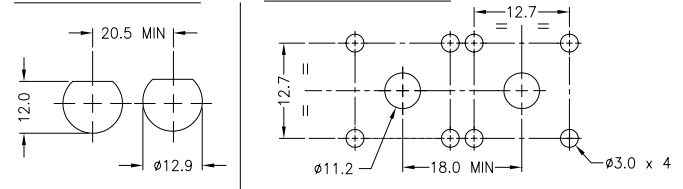
PANEL THICKNESS: 3.2 MAX

FOR BEST RESULTS, PREPARE THE CABLE AS SHOWN:



For RTD-75-X-02

For RTD-75-X-04



© 2005 Tyco Electronics Corporation. All rights reserved.

		Tyco Electronics Corporation 300 Constitution Drive Menlo Park, CA 94025		Raychem		TITLE: ONE STEP RF CONNECTOR 75-OHM TNC			
UNLESS OTHERWISE SPECIFIED DIMENSIONS ARE IN MILLIMETERS.						DOCUMENT NO:			
TOLERANCES: 0.00 ——— 0.0 ——— 0 ———		ANGLES: ——— ROUGHNESS IN MICRON		TYCO ELECTRONICS RESERVES THE RIGHT TO AMEND THIS DRAWING AT ANY TIME. USERS SHOULD EVALUATE THE SUITABILITY OF THE PRODUCT FOR THEIR APPLICATION.		RTD-75-X-XX/-XX-H			
CAD FILE:	REPLACES:	DRAWN:	SIZE:	SCALE:	CAGE CODE:	PROD. REV.:	DOC. REV.:	DATE:	SHEET:
D050233	D030314	mforonda	A	≡	06090	A	2	6/13/05	1 OF 1