

4

3

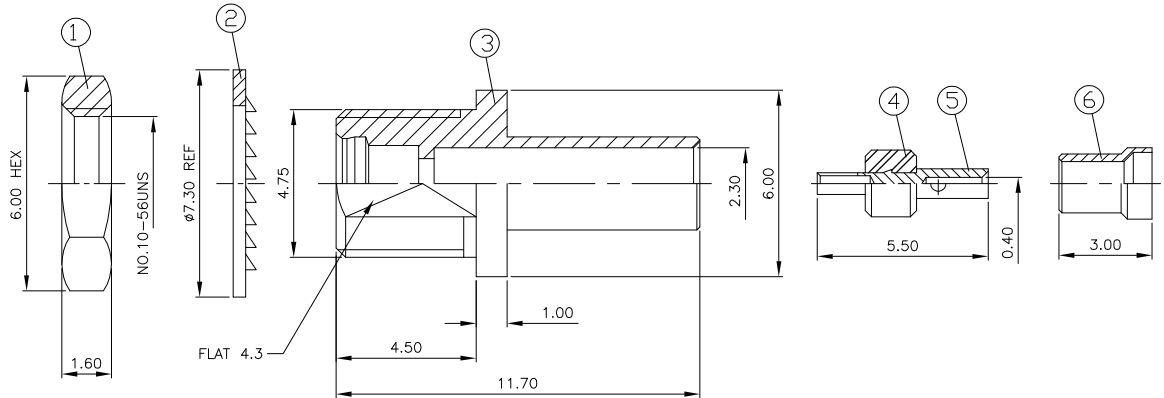
2

1

THIS DRAWING IS UNPUBLISHED. RELEASED FOR PUBLICATION NOV. 2003.
 © COPYRIGHT 2003 BY TYCO ELECTRONICS CORPORATION. ALL RIGHTS RESERVED.

LOC	DIST	REVISIONS			
P	LTR	DESCRIPTION	DATE	DWN	APVD
B		EBD0-0248-03	12NOV03	JMS	FWK

- 1 SINGLE PACK IN ACCORDANCE WITH SPEC 107-3275
- 2 100 TRAY PACK IN ACCORDANCE WITH SPEC 107-3275
- 3 0.76µm Au PLATING OVER 1.27µm Ni PLATING OVER 0.76µm Cu PLATING
- 4 0.08µm Au PLATING OVER 1.27µm Ni PLATING OVER 0.76µm Cu PLATING
- 5 HANDTOOL 9-1478240-0
- 6 DIE SET 9-1478248-0

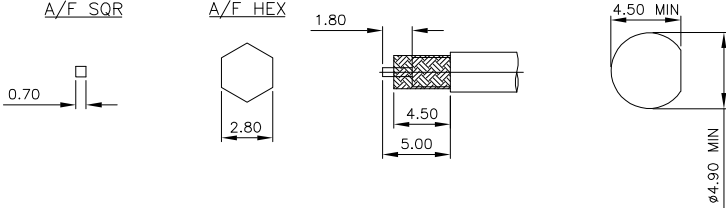


RECOMMENDED
CENTRE CONTACT
A/F SQR

RECOMMENDED
CRIMP SLEEVE
A/F HEX

RECOMMENDED
CABLE STRIPPING DIM'S

RECOMMENDED
MOUNTING HOLE



QTY	QTY PER ASSY	MATERIAL	DESCRIPTION	ITEM
1	1	BRASS	CRIMP SLEEVE	6
1	1	BERYLLIUM COPPER	SOCKET	5
1	1	PTFE	INSULATOR	4
1	1	BRASS	BODY	3
1	1	BRASS	WASHER	2
1	1	BRASS	NUT	1
6--0	1--0			

THIS DRAWING IS A CONTROLLED DOCUMENT.

DIMENSIONS: MM	TOLERANCES UNLESS OTHERWISE SPECIFIED: 0 PLC ± - 1 PLC ± - 2 PLC ± - 3 PLC ± - 4 PLC ± - ANGLES ± -	DWN J. SANDWELL 12NOV03	12NOV03	 Tyco Electronics Corporation Stanmore, Middlesex, HA7 4RS
MATERIAL SEE TABLE	FINISH SEE TABLE	CHK S. PARLOW 12NOV03	APVD E. WHEELER-KING 12NOV03	
PRODUCT SPEC 108-3462		NAME MCMX STRAIGHT BULKHEAD JACK CRIMP RG178 50 OHMS		RESTRICTED TO -
APPLICATION SPEC 411-3278		SIZE A3		
CUSTOMER DRAWING		CAGE CODE 00779		DRAWING NO 1634006
SCALE NTS		SHEET 1 OF 1		REV B