

4

3

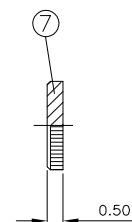
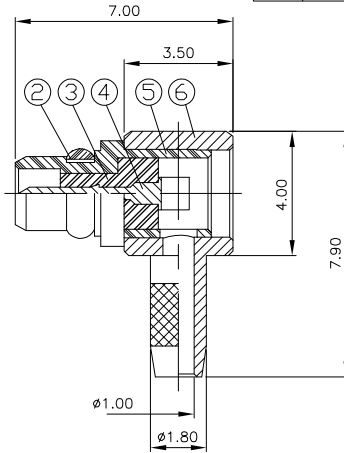
2

1

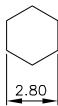
THIS DRAWING IS UNPUBLISHED. RELEASED FOR PUBLICATION NOV. 2003. COPYRIGHT 2003 BY TYCO ELECTRONICS CORPORATION. ALL RIGHTS RESERVED.

LOC	DIST	REVISIONS			
P	LTR	DESCRIPTION	DATE	DWN	APVD
B		EBD0-0248-03	12NOV03	JMS	FWK

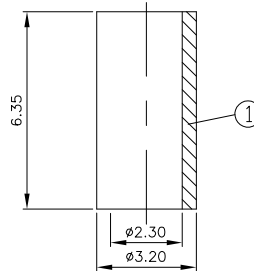
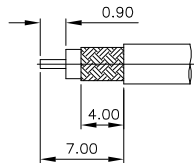
- 1 SINGLE PACK IN ACCORDANCE WITH SPEC 107-3275
- 2 100 TRAY PACK IN ACCORDANCE WITH SPEC 107-3275
- 3 0.76µm Au PLATING OVER 1.27µm Ni PLATING OVER 0.76µm Cu PLATING
- 4 0.08µm Au PLATING OVER 1.27µm Ni PLATING OVER 0.76µm Cu PLATING
- 5 HANDTOOL 9-1478240-0
- 6 DIE SET 9-1478248-0



RECOMMENDED CRIMP SLEEVE A/F HEX



RECOMMENDED CABLE STRIPPING DIM'S



QTY	UNIT	MATERIAL	DESCRIPTION	ITEM
1	1	BRASS	ACCESS CAP	7
1	1	BRASS	BODY	6
1	1	BRASS	BODY	5
1	1	BRASS	PIN	4
1	1	PTFE	INSULATOR	3
1	1	BERYLLIUM COPPER	RETAINING RING	2
1	1	BRASS	CRIMP SLEEVE	1
6--0	1--0		MATERIAL	DESCRIPTION
QUANTITY PER ASSY		PARTS LIST		

THIS DRAWING IS A CONTROLLED DOCUMENT.

DIMENSIONS: MM	TOLERANCES UNLESS OTHERWISE SPECIFIED:	DWN J. SANDWELL 12NOV03	Tyco Electronics Corporation Stanmore, Middlesex, HA7 4RS	
0 PLC ± .05	1 PLC ± .02	CHK S. PARLOW 12NOV03	NAME	
2 PLC ± .02	3 PLC ± .02	APVD E. WHEELER-KING 12NOV03	PRODUCT SPEC	
4 PLC ± .02	ANGLES ± .02	PRODUCT SPEC	108-3462	
MATERIAL SEE TABLE	FINISH SEE TABLE	APPLICATION SPEC	411-3279	
		WEIGHT	SIZE A3	CAGE CODE 00779
		CUSTOMER DRAWING	DRAWING NO C-1634003	RESTRICTED TO
		SCALE NTS	SHEET 1 OF 1	REV B