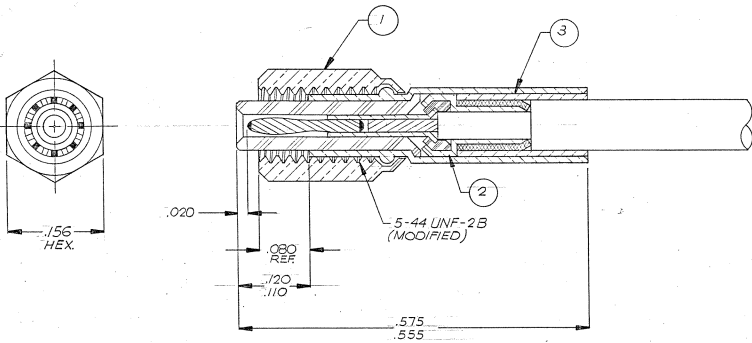


REVISIONS					
ZONE	LTR	ECN	DESCRIPTION	DATE	APPROVED
C		28840	REVISED & REDRAWN ORIG. RELEASE E.M. 10-8-67	6-23-84	[Signature]
D		38512	UPDATE REV. LETTER	1/25/97	[Signature]
E		40102	REVISION UPDATE	4/4/00	[Signature]
F		40392	UPDATE REV. LETTER	4/11/00	[Signature]
G		40392	UPDATE REV. LETTER	4/11/00	[Signature]
H		40458	UPDATE REV. LETTER	3/20/00	[Signature]
J		40592	UPDATE REV. LETTER	10/12/00	[Signature]



Tyco Dwg 5-1532006-0
Micro PIN 142-0010-0001

NOTES: UNLESS OTHERWISE SPECIFIED

- THIS PLUG ASSEMBLY MATE'S WITH ALL LEPPA/CON 141 SCREW-ON SERIES WITH LOCKING INTERFACE JACK AND RECEPTACLES.
- SEE RF-ANMB-12 FOR CABLE ASSEMBLY INSTRUCTIONS.
- ALL METALLIC PARTS ARE GOLD PLATED PER MIL-G-45204 TYPE II, CLASS I.
- CABLE ACCEPTANCE DIMENSIONS: CENTER CONDUCTOR — .012
DIELECTRIC — .034
SHIELD — .054
JACKET — .080

QTY REQ	PART NUMBER	DESCRIPTION	MATERIAL / SPECIFICATION	ITEM NO.
1	014-0004-0002	CRIMP SLEEVE	LEADED COPPER	3
1	014-0002-0002	FERRULE	BRAWN-PER QQ-B-626	
1	014-0001-0001	INSULATOR	TEFLON L-P-403	
1	096-0525-0001	PIN, CONTACT ASSEMBLY		
1	014-1002-0001	CONTACT, FERRULE SUBASSEMBLY		2
1	014-0005-0001	INSULATOR	TEFLON L-P-403	
1	000-1601-0040	HOUSING, STRAIGHT	BRAWN-PER QQ-B-626	
1	014-0003-0002	NUT COUPLING	BRAWN-PER QQ-B-626	
1	014-1079-0001	HOUSING, SUBASSEMBLY		
1	014-1080-0001	HOUSING, SUBASSEMBLY, 156 HEX		1

PARTS LIST		CONTRACT NO.		MILCO A MICRODOT COMPANY, INC. 220 PASADENA AVE., 50. PASADENA, CALIF. 91330	
UNLESS OTHERWISE SPECIFIED DIMENSIONS ARE IN INCHES TOLERANCES ARE: FRACTIONS DECIMALS ANGLES = .XX = .XXX = °		APPROVALS	DATE	STRAIGHT PLUG ASSEMBLY WITH LOCKING INTERFACE	
MATERIAL		DRAWN J. TONGCO	6-14-84	PROD. CODE 946	CODE CDM
FINISH		CHECKED [Signature]	4/19/94	SIZE C	
NEXT ASSY USED ON APPLICATION		These drawings and specifications are the property of Microdot Inc. and shall not be reproduced or used in any manner for the manufacture of any article without written permission of Microdot Inc.		CODE IDENT NO. 98278	DRAWING NO. 142-0010-0001
DO NOT SCALE DRAWING		SCALE 10X		SHEET 1 OF 1	

D
C
B
A