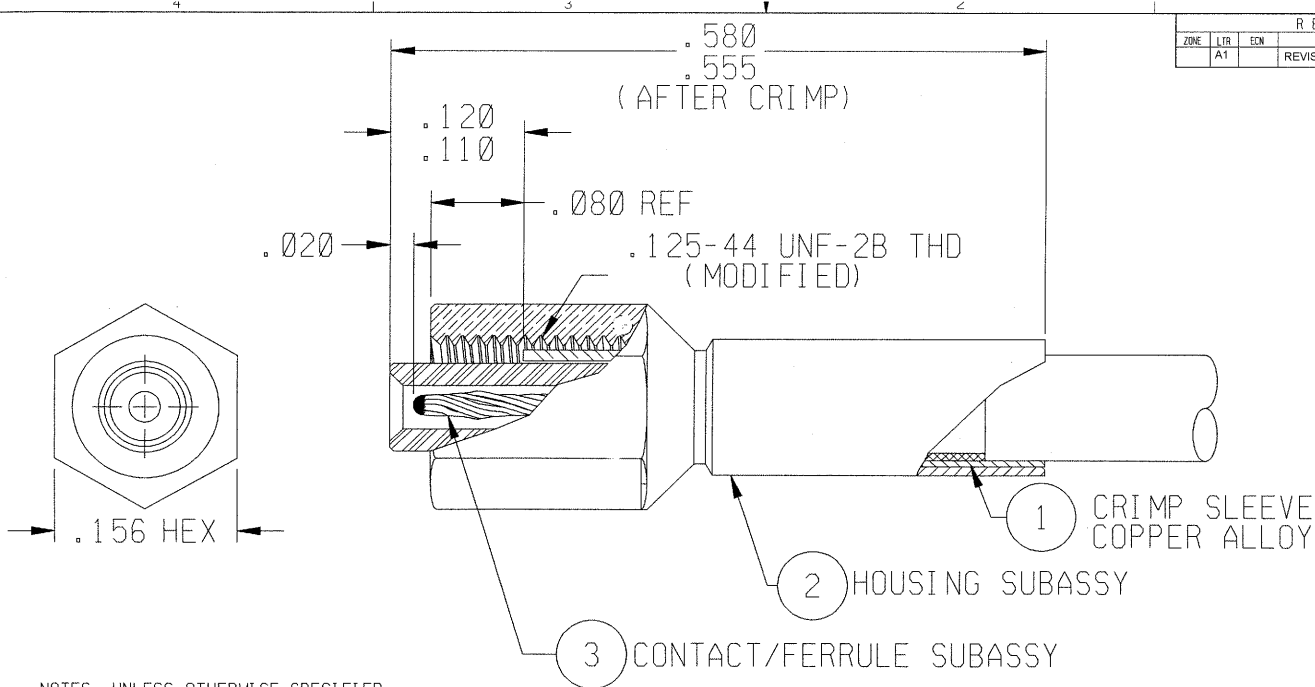


| REVISION | | | | | |
|----------|-----|-----|---------------------------|---------|----------|
| ZONE | LTR | ECN | DESCRIPTION | DATE | APPROVED |
| A1 | | | REVISED PER ECO-11-005139 | 28MAR11 | HMR |



NOTES: UNLESS OTHERWISE SPECIFIED

1. ALL METALLIC PARTS ARE GOLD PLATED PER MIL-G-45204, TYPE II, GRADE C, CLASS 1
2. MATES WITH ALL LEPRO/CON 141 SCREW-ON SERIES JACKS AND RECEPTACLES.
3. FOR ASSEMBLY INSTRUCTION SEE RF-ASMB-12.
4. CABLE ACCEPTANCE DIMENSIONS:
 CENTER CONDUCTOR DIA - - - - - .012
 DIELECTRIC DIA - - - - - .034
 SHIELD DIA - - - - - .054
 JACKET DIA - - - - - .080

TE CONNECTIVITY Dwg 3-1532145-3
Micro P/N 142-0000-0000

| UNLESS OTHERWISE SPECIFIED DIMENSIONS ARE IN INCHES. TOLERANCE ARE: | | | APPROVALS | | | PROD CODE 946 CODE CDM | | |
|---|---------------------------------|----------------|------------------------------------|----------|-------------|---------------------------------|-----------|-------------------------|
| FRACTIONS ± 1/8 | DECIMALS .XX ± .XXX ±.001 | ANGLES ± 2° | SIGNATURE | DATE | | | | |
| | | | DRAWN MEL F. CAMPOS | 06/13/96 | | STRAIGHT PLUG CONNECTOR ASSY | | |
| MATERIAL: | | | CHECKED PROL. ENCL. APPROVED | 9/24/96 | | | | |
| FINISH: | | | | | | | SIZE B | CODE IDENT NO. 98278 |
| | | | | | | DRAWING NO. 3-1532145-3 | | |
| | | | | | SCALE: NONE | SHEET 1 OF 1 | | |