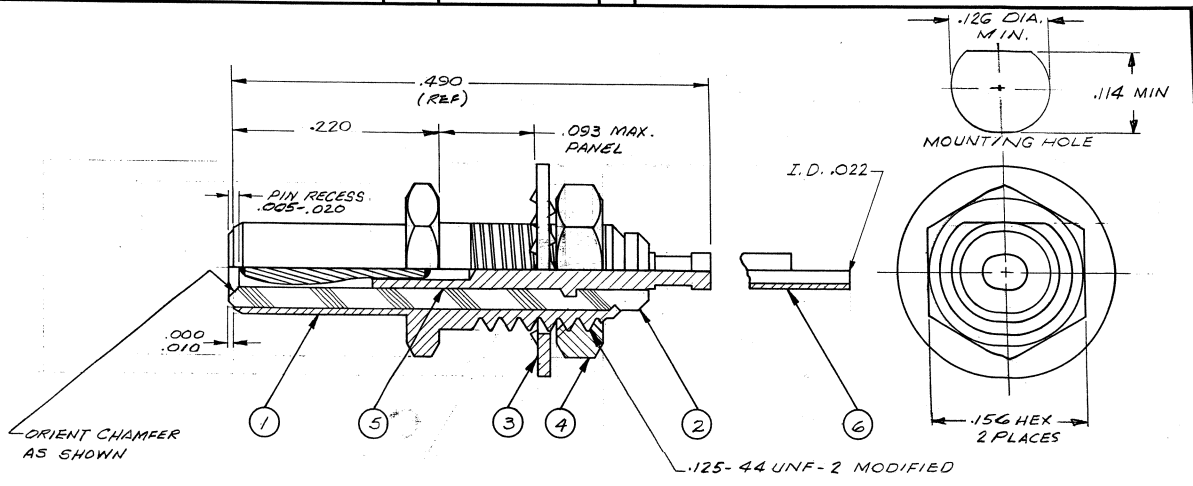


These drawings and specifications are the property of Microdot Inc. and shall not be divulged, reproduced or copied, or used as the basis for the manufacture or sale of any article without written permission of Microdot Inc.

CDM 1532150-4 F1



TE P/N	MICRODOT P/N
1-1532138-8	141-1002-0001
2-1532006-1	141-1002-0002
2-1532006-2	141-1002-0003

1	1	3-1532071-8	SOLDER POT CONTACT	COPPER ALLOY	6	
		3-1532071-7	TURRET CONTACT	COPPER ALLOY	5	
1	1	5-1532069-2	NUT	BRASS PER QQ-B-626	4	
1	1	5-1532069-4	LOCKWASHER	# 425 BRONZE ALLOY	3	
1	1	8-1532069-0	INSULATOR-RECEPTACLE	TEFLON PER L-P-403	2	
1	1	7-1532069-9	HOUSING-RECEPTACLE	BRASS PER QQ-B-626	1	
-3	-2	-1	PART NO.	NOMENCLATURE	MAT'L & SPEC	ITEM

2. MATES WITH ALL LEPR/CON OR 142 SLIDE-ON SERIES PLUGS.
 1. ALL METALLIC PARTS ARE GOLD PLATED PER MIL-G-45204 TYPE II, GRADE C, CLASS I

NOTES: UNLESS OTHERWISE SPECIFIED

F1 UPDATE PER ECO-10-0XXXXX F UPDATE REV. 38510 E ITEM 3 MAT'L WAS: PHOS. BRONZE PER QQ-B-750. LOCKWASHER QD WAS .220 DIA. D 4532 UPDATE DWG INFORMATIONS C 15730 ADD. NOTE 3 B. 8373 DIM. 316 WAS 5132 A 7075 RELEASE FOR PR 50.		STANDARD TOLERANCES UNLESS OTHERWISE SPECIFIED DEC. ± .010 FRACTION ± .010 ANGLES ± ECCENTRICITY MAX. T.I.R. HOLE DIA. ± SURFACE ROUGHNESS SURFACE MICRO INCHES THREADS TO MIL-S-7742 COMMERCIAL TOLERANCES APPLY TO STOCK DIMENSIONS	MALCO A MICRODOT COMPANY, INC. 306 PASADENA AVE., SO. PASADENA, CAL.	SURFACE TREATMENT NOTED MATERIAL NOTED APP NOTED CHECKED BY DRAWN BY SCALE 10:1 WT 746 DATE 7/14/66 DRAWING NUMBER 1532150-4 CODE C.D.M.		
ASSEMBLY NO. REQD.	NO. REQD.	REVISION	DESCRIPTION	BY	DATE	APP
		LET	ECO			

FRONT MOUNT
 RECEPT-SLIDE-ON
 141-1002-0004