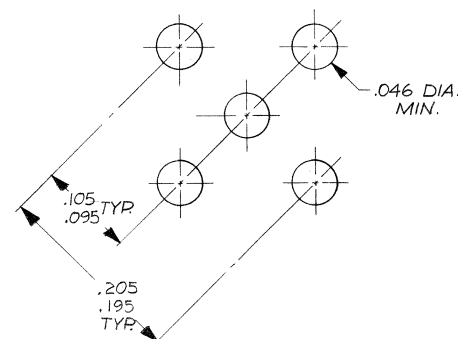


REVISIONS					
ZONE	LTR	ECN	DESCRIPTION	DATE	APPROVED
C		25197	REV. & REDRAWN. ORIGINAL 1/24/80	3/2/81	MD
	D	38538	RELEASE 26-8-69 BY B.T. & G.K.	1/29/99	-E
	D1	43882	REVISION UPDATE	3/30/09	JDM
			UPDATE PER ECO-09-007946		



- NOTES: UNLESS OTHERWISE SPECIFIED
- MATES WITH ALL LEPRACON SCREW-ON SERIES PLUGS AS LISTED IN MALCO CATALOG.
  - ALL METAL PARTS ARE GOLD PLATED PER MIL-G-45204, TYPE II, GRADE C, CLASS I.
  - FOR COMPONENT PARTS, SEE PARTS LIST.

MOUNTING HOLE PATTERN

UNLESS OTHERWISE SPECIFIED DIMENSIONS ARE IN INCHES TOLERANCES ARE		CONTRACT NO.		MALCO A MICRODOT COMPANY, INC. 306 PASADENA AVE., SO. PASADENA, CALIF. 91030	
FRACTIONS DECIMALS ANGLES		APPROVALS DATE		RECEPTACLE, SCREW-ON	
± .XX ± ±		DRAWN Costel Bunn 2-4-81		PRINTED CIRCUIT, RIGHT ANGLE	
± .XXX ± ±.015		CHECKED [Signature] 2/12/81		MICRODOT P/N 141-0010-0001	
MATERIAL		PR. ENG. [Signature] 3-		PROD. CODE 946	
FINISH		APPROVED		CODE 946	
NOTED		SIZE B		CODE IDENT NO. 98278	
DO NOT SCALE DRAWING		DRAWING NO. 1-1532006-4		CDM	
APPLICATION		SCALE ~		SHEET OF	
NEXT ASSY USED ON					